

solution science

Elliot Scientific

for research and industry

Lab Essentials:

- Posts, Post Holders & Bases
- Rotation Mounts
- Iris Diaphragms
- Mirror Mounts
- Lens Mounts



Buy on-line
in £, \$, ¥ or €

Next Day
Delivery

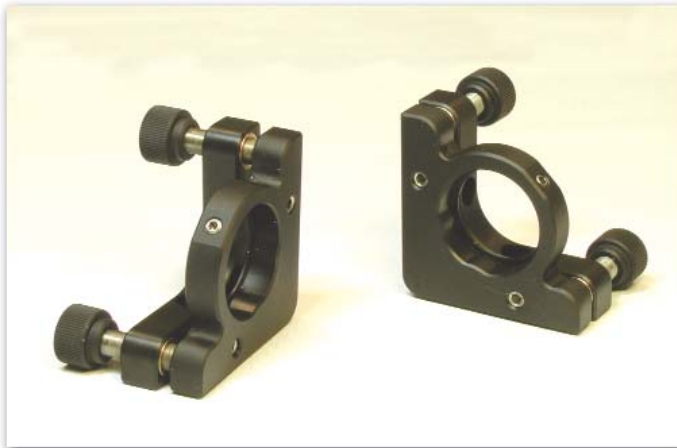
View and order Elliot/Martock Products on-line at www.elliottscientific.com

Standard Kinematic Mirror Mounts

Best value
mirror mount

KMP Series - Two Adjusters - ½", 1" and 2"

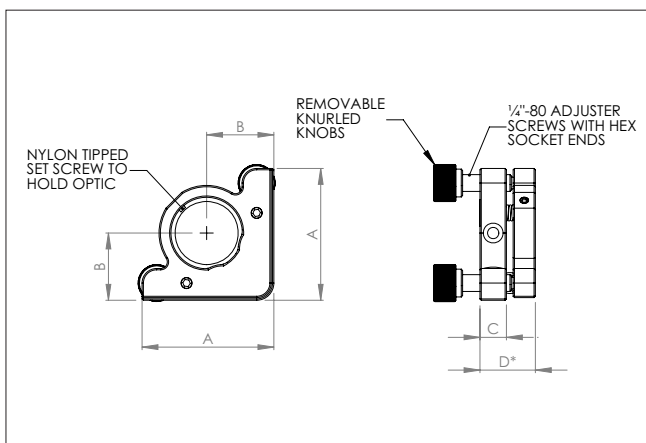
The KMP Series is a range of high quality utility mirror mounts available at excellent pricing. Stainless steel adjusters act on hardened inserts to ensure smooth movement even with small adjustments.



Left & right-handed user configurable

Features include:

- Nylon-tipped set screw positively retains optic
- 1/4-80 adjusters (on 1" & 2")
- M4-0.25 pitch hex drive adjusters (on ½")
- Hex drive
- Removable knobs (on 1" & 2")
- Brass adjuster nuts
- ½" (12.5mm), 1"(25mm) and 2"(50mm) optics
- English and metric compatible
- Angular range ± 4 degrees
- Base mounting M4 (#8-32) clearance hole on the base for either left or right handed mounting (three holes on base of 2")



Dimensions in mm

| Model No. | A | B | C | D* |
|-----------|------|------|------|-------|
| KMP021 | 28.7 | 14.7 | 8 | 17 |
| KMP121 | 50 | 25.4 | 10 | 21 |
| KMP221 | 76 | 40 | 12.5 | 25.75 |

* Parallel dimension

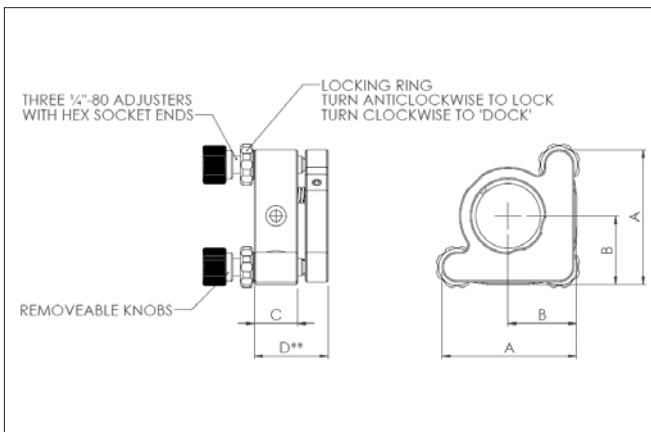
| Part No. | Description | Angular Resolution | €* | £ |
|----------|--------------------------|--------------------|-------|-------|
| KMP021 | Standard ½" Mirror Mount | 7 arc seconds | 47.36 | 32.00 |
| KMP121 | Standard 1" Mirror Mount | 5 arc seconds | 48.10 | 32.50 |
| KMP221 | Standard 2" Mirror Mount | 3 arc seconds | 82.14 | 55.50 |

Locking Kinematic Mirror Mounts

KML Series - Three Adjusters - ½", 1" & 2"

The KML Series is a range of quality mirror mounts for demanding applications available in ½", 1" & 2" sizes with clearance mounting holes for English and metric mounting. Features three ¼"-80 adjusters with removable knobs and hex drive allowing both angular adjustment and translation (Model KML031 utilises three M4-0.25 pitch adjusters with hex key drive). A nylon-tipped set screw positively holds the optic in place. Stainless steel adjusters act on hardened inserts to ensure smooth movement even with small adjustments.

Locking is performed by a superior locking mechanism designed to eliminate movement during locking. Once positioned, the adjusters are locked by a simple anticlockwise twist of the scalloped lock ring.



- ½" (12.5mm), 1"(25mm) and 2"(50mm) optics
- Superior locking mechanism
- Angular adjustment and translation
- English and metric compatible
- Angular range ± 4 degrees
- Can be mounted for left or right-hand operation
- Three ¼"-80 adjusters with removable knobs and hex drive (KML131 & 231)
- Three M4-0.25 pitch adjusters with hex key drive (KML031)
- M4 (#8-32) clearance holes on the base for either left or right-handed mounting (3 holes on KML231)

Dimensions in mm

| Model No. | A | B | C | D** |
|-----------|------|------|----|------|
| KML031 | 28.7 | 14.7 | 11 | 24.2 |
| KML131 | 50 | 25.4 | 16 | 27.3 |
| KML231 | 76 | 40 | 16 | 27.3 |

** Nominal mid position

| Part No. | Description | Mirror Size | Angular Resn. | €* | £ |
|----------|-------------------------|-------------|---------------|--------|----|
| KML031 | Locking ½" Mirror Mount | ½"/12.5mm | 7 arc seconds | 88.80 | 60 |
| KML131 | Locking 1" Mirror Mount | 1"/25mm | 5 arc seconds | 102.12 | 69 |
| KML231 | Locking 2" Mirror Mount | 2"/50mm | 3 arc seconds | 146.52 | 99 |

High Precision Mirror Mounts with Interchangeable Front Plates



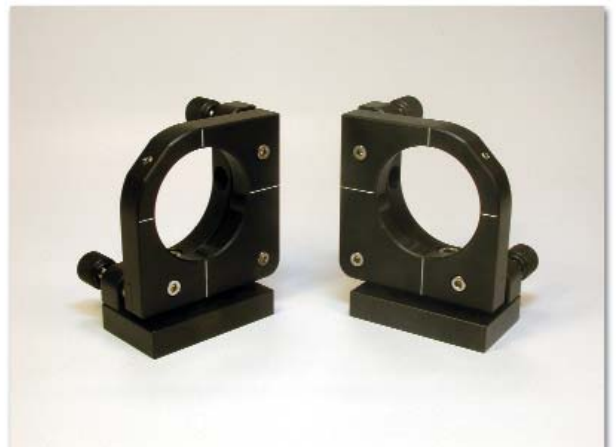
E910 High Precision Mirror Mount Frame with EFP912 Interchangeable 2" Front Plate

The E91X Series high precision mirror mounts offer a number of unique features:

- Buy as a 1", 2", 3" or 4" mirror mount
- Interchangeable front plates are available allowing you to convert to another size at minimal cost
e.g. Buy a 3" mirror mount for £230, then to convert it with a 2" front plate costs only £55
- User configurable: right or left-handed geometry
- 0.25 pitch highest quality hand-lapped adjusters (approximately 100 turns per inch)
- Hex drive adjusters with removable knurled knobs
- Rear optic loading for repeatable location of mirror face
- Engraved cross-hairs aid alignment
- Excellent long term stability
- Removable base plate



Just add front interchangeable plates: 1", 2", 3" & 4" to mirror mount frame



The mirror mount can be configured as either a left or right-handed version by the user

| Part No. | Description | €* | £ |
|----------|--|--------|-----|
| E910 | High Precision Mirror Mount Frame with Adjusters - no front plate optic holder | 185.00 | 125 |
| E911 | High Precision Mirror Mount Frame with Interchangeable Front Plate 1"/25mm | 273.80 | 185 |
| E912 | High Precision Mirror Mount Frame with Interchangeable Front Plate 2"/50mm | 266.40 | 180 |
| E913 | High Precision Mirror Mount Frame with Interchangeable Front Plate 3"/75mm | 340.40 | 230 |
| E914 | High Precision Mirror Mount Frame with Interchangeable Front Plate 4"/100mm | 384.80 | 260 |
| EFP911 | Interchangeable Front Plate Optic Holder 1"/25mm | 88.80 | 60 |
| EFP912 | Interchangeable Front Plate Optic Holder 2"/50mm | 81.40 | 55 |
| EFP913 | Interchangeable Front Plate Optic Holder 3"/75mm | 155.40 | 105 |
| EFP914 | Interchangeable Front Plate Optic Holder 4"/100mm | 199.80 | 135 |

High Precision Mirror Mount - 1"

Model E900

The E900 series are precision kinematic mirror mounts using the highest quality hand-lapped adjusters to give smooth and accurate adjustment needed for the most exacting laser and optical alignment.

- Ultra-stable base
- Excellent long term stability
- Right-hand (E902) and left-hand (E901) versions
- 25 mm optic mounting (12.5 mm on request)
- Soft mounting for optic protection
- Nylon tipped clamping screw
- Unique 0.25 pitch highest quality hand-lapped adjusters (approx 100 turns per inch) also available separately - E200
- Hex drive adjusters with removable knurled knobs
- 3 x M6 mounting holes



E901 & E902 mirror mounts, shown with and without removable knobs.

| Part No. | Description | €* | £ |
|----------|--------------------------------|--------|-----|
| E902 | 1" mirror mount R.H. version | 251.60 | 170 |
| E901 | 1" mirror mount L.H. version | 251.60 | 170 |
| E200 | 0.25 pitch adjuster, 12mm long | 29.60 | 20 |

Fixed Mirror Holders - 1/2", 1" & 2"



The FMH range of fixed mirror holders provide a simple method of post mounting optical components for a range of optic sizes up to 2" diameter.

Each mirror holder has a flat mounting surface with an M4 threaded mounting hole. The optic is held in place with a nylon tipped setscrew.

- 1/2" (12.7mm), 1"(25.4mm) & 2" (50.8mm)
- M4 threaded mounting hole, for post mounting

| Part No. | Description | Beam Height | Clear Aperture | €* | £ |
|----------|--------------------------|-------------|----------------|-------|-------|
| FMH050 | 1/2" Fixed Mirror Holder | 15mm | 12mm | 14.43 | 9.75 |
| FMH100 | 1" Fixed Mirror Holder | 22mm | 24mm | 15.24 | 10.30 |
| FMH200 | 2" Fixed Mirror Holder | 35mm | 48mm | 19.98 | 13.50 |

Kinematic Mounts - Two Adjusters

The K Series Kinematic Mounts

These Kinematic Mounts offer flexibility in mounting of a variety of optics for your experiment. They offer convenient mounting of thin optics, microscope objectives, waveplates, prisms, aspherics, mirrors, cylindrical lenses and much more.

Features throughout the range include:

- Left or right-hand user configurable
- ¼"-80 adjusters with removable knobs and hex drive
- Angular range ± 4 degrees
- Angular resolution 3 arc seconds
- Base mounting M4 (#8-32) clearance hole
- English and metric compatible



KTO121 1" Threaded Kinematic Mirror Mount

- Particularly suitable for thin optics
- Threaded retaining ring
- Holds 1" (25.4mm) optics up to 0.25" thick

The KTO121 is a high quality 1" mirror mount for general laboratory applications. It is particularly suited for mounting of thin optics. The optic is held in place with a threaded retaining ring. Stainless steel adjusters act on hardened inserts to ensure smooth movement even with small adjustments.

| | | |
|--------|---------|--------|
| KTO121 | €*65.12 | £44.00 |
|--------|---------|--------|

KPH121 Kinematic Platform Mount

- Horizontal or vertical mounting with M4(#8-32) clearance holes
- Front plate has M4 mounting holes
- Prism, Beamsplitter Cube and Optics mounting

The KPH121 is a high quality platform mount for general laboratory applications. It is very suitable for prism or beamsplitter cube mounting, particularly when used in conjunction with our CAA101 Clamp Arm shown far right (see page 9).

| | | |
|--------|---------|--------|
| KPH121 | €*62.16 | £42.00 |
|--------|---------|--------|



Kinematic Mounts - Two Adjusters

KNA121 Plain Kinematic Mount

- Removable unanodised front plate for user modification
- Horizontal or vertical mounting with M4(#8-32) clearance hole

The KNA121 is a high quality mount for general laboratory applications. The removable unanodised front plate can be machined by the user for specific tasks. Elliot Scientific can also arrange for special machined configurations that may be required. The plain mounting surface is also useful to allow optics to be glued directly onto it.

| | | |
|--------|---------|--------|
| KNA121 | €*62.16 | £42.00 |
|--------|---------|--------|



KMO121 Kinematic Objective Mount

- Suitable for mounting microscope objectives
- 0.8"-36 RMS threaded

The KMO121 is a quality mount specifically designed for holding microscope objective lenses using the standard 0.8"-36 RMS thread.

| | | |
|--------|---------|--------|
| KMO121 | €*69.56 | £47.00 |
|--------|---------|--------|

KTA121 3 Axis 1" Kinematic Mount

- 3 axis angular movement
- Threaded retaining ring
- Holds 1" (25.4mm) optics up to 11.4mm thick
- Angular range ± 4 degrees with 360° rotation
- Graduations 2 degrees, sensitivity <1 degree
- Lockable
- Right-handed configuration

A quality 1" rotation mount for general laboratory applications. The rotation axis utilises a pair of precision thrust bearings to give smooth continuous 360° rotation. Rotation can be locked at the desired angle. The optic is held in place by a threaded retaining ring. One retaining ring is included with each mount. Additional retaining rings ORR100 are available separately (see p 10).



| | | |
|--------|----------|---------|
| KTA121 | €*148.00 | £100.00 |
|--------|----------|---------|

Kinematic Mounts - Two Adjusters

KPV121 Kinematic Prism Table

- Optic platform for convenient mounting
- Tapped M4 holes
- Prism or beamsplitter cube mounting
- Right-handed configuration

A quality platform mount for general laboratory applications. The optic platform has tapped M4 mounting holes. For prism mounting, the clamp arm CAA101 (shown top right) is available separately. Stainless steel adjusters act on hardened inserts to ensure smooth movement even with small adjustments.

| | | |
|--------|---------|--------|
| KPV121 | €*64.01 | £43.25 |
|--------|---------|--------|



KVM121 Kinematic V-Mount

- Holds cylindrical objects up to 27mm diameter
- Right-handed configuration
- Tapped M4 holes

A quality V-mount for holding cylindrical optics. Stainless steel adjusters act on hardened inserts to ensure smooth movement even with small adjustments.

Optic is held in place by CAA101 clamp arm supplied.

| | | |
|--------|---------|--------|
| KVM121 | €*96.20 | £65.00 |
|--------|---------|--------|

KCL121 Kinematic Cylindrical Lens Mount

- Holds cylindrical lenses
- Soft rubber mounting faces
- Adjustable height up to 65mm, as standard
- Right-handed configuration

A quality mount for holding cylindrical lenses. The open design allows mounting of optics of any width. The standard height of optic held is 30 mm. This can be increased by extending the posts with the stackable extension pieces supplied. Stainless steel adjusters act on hardened inserts to ensure smooth movement even with small adjustments.

| | | |
|--------|---------|--------|
| KCL121 | €*96.20 | £65.00 |
|--------|---------|--------|



Kinematic Mounts - Two Adjusters

KMF121 Kinematic Mount Frame

- Supplied without front plate.
- Can be used to mount various front plates
- Add your own component/front plate

A quality mount for general laboratory applications. Any of our front plates can be attached with four M2.5 screws or the user may design their own plate. Stainless steel adjusters act on hardened inserts to ensure smooth movement even with small adjustments.

| | | |
|--------|---------|--------|
| KMF121 | €*49.58 | £33.50 |
|--------|---------|--------|



VBA101 Post Mounted V-Mount

- Holds cylindrical objects up to 27mm diameter
- M4 threaded hole for post mounting
- Extension rods available

The VBA 101 V-mount provides a simple method for post mounting cylindrical objects up to 27mm diameter. The optic is held in place with the CAA101 clamp arm supplied.

| | | |
|--------|---------|--------|
| VBA101 | €*37.00 | £25.00 |
|--------|---------|--------|

CAA101 Clamp Arm

- M4 thread
- Rubber pad on arm
- Standard Height 27mm
- Extension rods available (35mm)

The CAA101 is a general-purpose clamp arm for use with prism tables and V mounts. The arm has a rubber pad for soft mounting of optics. M4 threaded for mounting. The height can be extended with additional stackable extension pieces, available separately.

| | | |
|--------|---------|-------|
| CAA101 | €*11.84 | £8.00 |
|--------|---------|-------|



Lens Mounts & Retaining Rings

The OLM series of lens mounts provide a simple method of post mounting optical components for a range of optic sizes up to 3" diameter.

The lens is held in place by a threaded retaining ring. One retaining ring is included with each mount. Additional retaining rings ORRxxx are available separately.

The mount has a flat mounting surface with M4 threaded hole for post mounting.

N.B. One retaining ring is included with each mount



| Part No. | Description | Max thickness of optic/lens | €* | £ |
|----------|-----------------|-----------------------------|-------|-------|
| OLM050 | 1/2" Lens Mount | 5mm | 16.28 | 11.00 |
| OLM100 | 1" Lens Mount | 7.5mm | 17.76 | 12.00 |
| OLM200 | 2" Lens Mount | 10mm | 25.16 | 17.00 |
| OLM300 | 3" Lens Mount | 9mm | 51.80 | 35.00 |

| Part No. | Description | €* | £ |
|----------|---------------------------|-------|-------|
| ORR050 | Retaining Ring for OLM050 | 5.55 | 3.75 |
| ORR100 | Retaining Ring for OLM100 | 5.55 | 3.75 |
| ORR200 | Retaining Ring for OLM200 | 10.51 | 7.10 |
| ORR300 | Retaining Ring for OLM300 | 15.54 | 10.50 |

Rotation Mount



The ROT011 rotation mount provides a simple method of post mounting 1" (25.4 mm) diameter linear polarisers and waveplates. The mount utilises a pair of precision thrust bearings to give smooth continuous 360° rotation. Rotation can be locked at the desired angle.

The optic is held in place by a threaded retaining ring. One retaining ring is included with each mount. Additional retaining rings ORR100 are available separately (see above).

The mount has a flat mounting surface with M4 threaded hole for post mounting.

- Holds 1 inch (25.4 mm) diameter optics up to 11.4mm thick
- Post mountable rotation mount
- 360° continuous rotation
- Lockable

| Part No. | €* | £ |
|----------|-------|-------|
| ROT011 | 85.84 | 58.00 |

Specifications

| | |
|-----------------|---------------------|
| Optic Size | 1" (25 mm) diameter |
| Optic thickness | 11.4 mm |
| Rotation range | 360° |
| Graduations | 2° |
| Sensitivity | 1° |
| Beam height | 27.8 mm |
| Clear aperture | 23 mm |
| Mount height | 56 mm |
| Mount thickness | 15 mm |

Iris Diaphragms

The MIDxxx Series of post mountable iris diaphragms provide a continuously variable aperture up to 12, 25, 36 or 50mm.

The aperture is lever operated with the nominal aperture size being indicated by a laser engraved scale. Supplied with a fixed M4 stud for mounting to the POP, POS or PPP range of posts (p14 & 17).

- Post mountable iris diaphragm
- Continuously variable aperture
- Laser engraved scale



| Part No. | Description | Max. aperture | Min. aperture | Optical axis ht. | €* | £ |
|----------|---------------------|---------------|---------------|------------------|--------|-------|
| MID012 | 12mm Iris Diaphragm | 12mm | 1mm | 14.5mm | 43.66 | 29.50 |
| MID025 | 25mm Iris Diaphragm | 25mm | 1.5mm | 23mm | 52.54 | 35.50 |
| MID036 | 36mm Iris Diaphragm | 36mm | 2mm | 29.5mm | 66.60 | 45.00 |
| MID050 | 50mm Iris Diaphragm | 50mm | 3.5mm | 39.5mm | 113.96 | 77.00 |



BKA301 shown with KMP121 & post/post holder

Kinematic Magnetic Base

BKA301 Kinematic Base

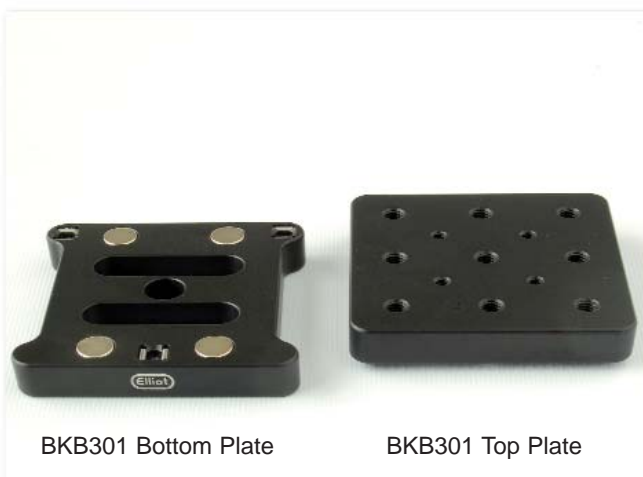
- Remove and replace optics in optical path
- Cut out design saves trapping fingers
- Accurate repeatable placement

The BK range of kinematic bases provide a removable and replaceable platform for post mounting of optical components. Steel balls on the top plate locate in kinematic slots on the base providing accurate repeatable placement. The plate is held in place by 4 high strength magnets. Dimensions 75mm x 75mm x 25mm high.

The cut outs on the base allow the top to be easily removed and replaced without trapping fingers. The base can be mounted by either a central M6 (1/4-80) clearance hole or by 2 M6 (1/4-80) clearance slots.

The top plate has an array of both M6 and M4 holes for mounting the full range of posts, post holders and optical components.

Additional tops BKT301 and bases BKB301 are available separately.



BKB301 Bottom Plate

BKB301 Top Plate

| Part No. | Description | €* | £ |
|----------|-----------------------------|-------|-------|
| BKA301 | Kinematic Base | 86.58 | 58.50 |
| BKT301 | Kinematic Base Top Plate | 39.96 | 27.00 |
| BKB301 | Kinematic Base Bottom Plate | 51.06 | 34.50 |

Flip Mount

Model KFM101

- Tapped M4 for component mounting
- M6 counterbore mounting hole
- Designed to mount on the POP and PPP series of 1" posts
- Compact design, only 12.7 mm thick
- Ball on hard pad indexing
- Repeatedly returns to the same position

The KFM101 is a kinematic flip mount designed to move optics from the beam path and return them to the same position. The ball on hard pad indexing offers repeatable return to the same position.

| Part No. | Description | €* | £ |
|----------|-------------|-------|-------|
| KFM101 | Flip Mount | 74.00 | 50.00 |



Filter Holder

Model EFH001 Stackable Filter Holder

- Holds 2" (50mm) square filters up to 4 mm thick
- English and metric compatible
- Post mountable by M4 (#8-32) clearance hole
- Stackable

The EFH001 post mountable filter holder is ideal for holding square filters. The optic is held in place by two spring clips. The holders can be stacked together as shown left using the two through holes on the front (suitable for M4).



Stacked EFH001s shown with post/post holder

| Part No. | Description | €* | £ |
|----------|---------------|-------|-------|
| EFH001 | Filter Holder | 20.72 | 14.00 |



Bases

BAS001 One Sided Base

One sided base for mounting our POH range or other post holders. The base has a clearance hole, to allow post holders to be attached by M6 or ¼"-20 socket cap screws.

All bases are compatible with English or metric optical tables. Bases are machined specifically for stable mounting.



BAS002 Two Sided Base

Two sided base for mounting the POH range of post holders. The base has an M6 clearance hole, to allow post holders to be attached by M6 or ¼"-20 socket cap screws.

BAS003 Twin Slotted Base

Twin slotted base for mounting the POH range of post holders. The base has an M6 clearance hole, to allow post holders to be attached by M6 or ¼"-20 socket cap screws.



BAS101 Pedestal Base Adaptor

Pedestal base adaptor to convert the POP range of 1" pillar posts to 1" pedestal pillar posts. Can also be used to convert the POH post holders into pedestal style allowing the use of TCL clamping forks.

| Part No. | Description | €* | £ | Dimensions (mm) |
|----------|-----------------------|------|------|-----------------|
| BAS001 | One sided base | 5.91 | 3.99 | 25 x 57.5 x 9.2 |
| BAS002 | Two sided base | 6.39 | 4.32 | 25 x 76 x 9.2 |
| BAS003 | Twin slotted base | 8.36 | 5.65 | 50 x 76 x 9.2 |
| BAS101 | Pedestal base adaptor | 8.64 | 5.84 | |

Thumbscrews

The THS001 spring loaded thumbscrew is designed for use with the POH post holders and POS stainless steel posts. It has a spring loaded plunger which holds the post in place prior to final tightening.

The THS002 is a brass locking thumbscrew with a 4mm hex socket for use with the POH range of post holders and EPC post clamps. Can be used with the POS stainless steel posts to firmly lock the post in place without marring.

| | | | |
|--------|--------------------------|--------|-------|
| THS001 | Spring Loaded Thumbscrew | €*2.81 | £1.90 |
| THS002 | Thumbscrew | €*2.37 | £1.60 |



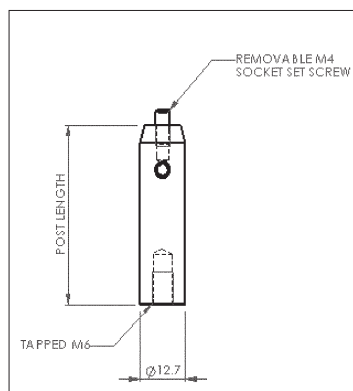
Posts

The POS series is a complete range of ½ inch diameter precision ground stainless steel posts from 20 to 300mm length.

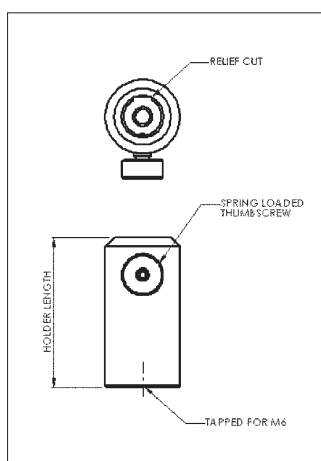
The post is tapped M6 in the base with removable M4 socket set screw in the top. A through hole is provided to allow tightening when mounted directly to an optical table.



| Part No. | Length (mm) | €* | £ |
|----------|-------------|-------|------|
| POS020 | 20 | 5.18 | 3.50 |
| POS030 | 30 | 5.18 | 3.50 |
| POS040 | 40 | 5.42 | 3.66 |
| POS050 | 50 | 5.67 | 3.83 |
| POS075 | 75 | 5.91 | 3.99 |
| POS100 | 100 | 6.39 | 4.32 |
| POS150 | 150 | 7.39 | 4.99 |
| POS200 | 200 | 8.87 | 5.99 |
| POS250 | 250 | 9.84 | 6.65 |
| POS300 | 300 | 11.81 | 7.98 |



Post Holders



The POH series of post holders are designed to hold our POS range of posts or any other ½ inch post.

The internal relief cut design provides two line contacts for stable positioning of the post. All post holders have a spring-loaded thumbscrew included for easy positioning, THS001, which is also available as a separate item.

The post holders may be mounted to optical tables by an M6 tapped hole in the base or using the BAS00X range of bases. Post holders may be converted to pedestal style using the BAS101.

| Part No. | Length (mm) | €* | £ |
|----------|-------------|-------|------|
| POH025 | 25 | 7.39 | 4.99 |
| POH040 | 40 | 7.87 | 5.32 |
| POH050 | 50 | 8.36 | 5.65 |
| POH075 | 75 | 8.87 | 5.99 |
| POH100 | 100 | 9.84 | 6.65 |
| POH150 | 150 | 13.78 | 9.31 |

1/2" Post Clamps

The EPC range of half inch post clamps can be used with the POS range of posts for horizontal or angled mounting of optical components. The internal relief cut design provides two line contacts for stable positioning of the posts, which are securely held with brass thumbscrews with 4mm hex sockets.

The EPC001 is used to mount two POS posts or any other 1/2 inch post at 90° to each other. The orthogonal adjustment allows positioning of the posts horizontally and vertically.

The EPC002 is used to mount a POS post or any other 1/2 inch post at the end of another at a fixed horizontal height. The post clamp has an M4 tapped hole for attachment to the vertical post.

The EPC003 is used to mount two POS posts or any other 1/2 inch post at an angle to each other. The friction bearing allows full 360° adjustment which holds position. The posts may also be locked in position once the desired angle is achieved.



| Part No. | Description | €* | £ |
|----------|-------------------|-------|-------|
| EPC001 | 90° Post Clamp | 11.47 | 7.75 |
| EPC002 | End Post Clamp | 10.95 | 7.40 |
| EPC003 | Swivel Post Clamp | 25.16 | 17.00 |

Table Clamps

TCL001

General purpose table clamp.

Table clamps are available for holding the BAS range of bases where suitable holes are not available on the optical table.

This table clamp is English or metric table compatible.



TCL002

Compact variable height table clamp (shown with base, post holder, post & mirror mount).

Table clamps are available for holding the BAS range of bases where suitable holes are not available on the optical table.

The TCL002 has an M6 screw thread and a clearance slot to accept either an M6 or 1/4"-20 bolt.

| Part No. | €* | £ | Dimensions (mm) |
|----------|------|------|-----------------|
| TCL001 | 4.19 | 2.83 | 18 x 19 x 50 |
| TCL002 | 4.82 | 3.26 | 12.6 x 10 x 50 |

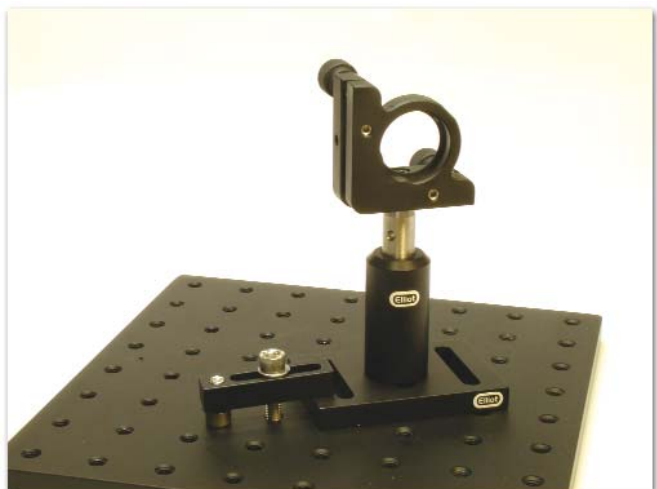


Table Clamping Forks

Table clamping forks are available for holding PPP pedestal pillar posts or POH post holders that have been fitted with a BAS101 pedestal base adapter.

Two options are available: short & long.



| Part No. | Description | €* | £ |
|----------|------------------------|-------|------|
| TCL011 | Table clamp fork short | 9.77 | 6.60 |
| TCL012 | Table clamp fork long | 11.77 | 7.95 |

The ESP range of 1" diameter stainless steel post spacers are for use with the PPP and POP range of posts. They provide intermediate heights between the standard sizes.

The spacers have an M4 through hole.

| Part No. | Description | €* | £ |
|----------|-----------------------|------|------|
| ESP003 | Post Spacer 3mm thick | 6.96 | 4.70 |
| ESP005 | Post Spacer 5mm thick | 7.55 | 5.10 |
| ESP007 | Post Spacer 7mm thick | 8.14 | 5.50 |
| ESP009 | Post Spacer 9mm thick | 8.73 | 5.90 |

1" Post Spacers



1" Post Clamps

The OPC range of post clamps are designed to allow side or angle mounting of M4 and M6 components with the PPP and POP range of 1" diameter posts.

They can also be used to build 3D structures with the PPP and POP posts.

Clamps to the 1" post using a non-marring brass tipped set screw; one M4/M6 tapped and one M4/M6 counterbored hole.

| Part No. | Description | €* | £ |
|----------|------------------|-------|-------|
| OPC410 | M4 1" Post Clamp | 25.16 | 17.00 |
| OPC610 | M6 1" Post Clamp | 25.16 | 17.00 |



1" Pillar Posts

The POP range of 1 inch stainless steel posts are for general mounting applications. The posts are tapped M4 in one end to accept optical mounts and M6 in the other for mounting to optical tables.

A through hole is provided to allow tightening when mounted directly to optical tables. Can also be used as extensions for PPP pedestal posts.

The POP pillar posts can be converted to pedestal style pillar posts with the addition of our BAS101 pedestal base adapter (below), see p13.



| Part No. | Description | €* | £ |
|----------|-------------------------|-------|-------|
| POP012 | Pillar Post 12.5mm long | 13.78 | 9.31 |
| POP025 | Pillar Post 25mm long | 15.75 | 10.64 |
| POP050 | Pillar Post 50mm long | 17.72 | 11.97 |
| POP075 | Pillar Post 75mm long | 19.68 | 13.30 |
| POP100 | Pillar Post 100mm long | 21.65 | 14.63 |
| POP150 | Pillar Post 150mm long | 25.59 | 17.29 |

1" Pedestal Pillar Posts

The PPP range of 1" stainless steel pedestal posts are for direct mounting of optical components. When used with table clamping forks (TCL011 or TCL012) these posts may be positioned anywhere on an optical table.

The height can be extended with the POP range of posts. A through hole is provided to allow tightening when attached to other posts.

Tapped M4 both ends.



| Part No. | Description | €* | £ |
|----------|----------------------------------|-------|-------|
| PPP025 | Pedestal Pillar Post 12.5mm long | 18.71 | 12.64 |
| PPP050 | Pedestal Pillar Post 50mm long | 21.16 | 14.30 |
| PPP075 | Pedestal Pillar Post 75mm long | 23.13 | 15.63 |
| PPP100 | Pedestal Pillar Post 100mm long | 28.05 | 18.95 |

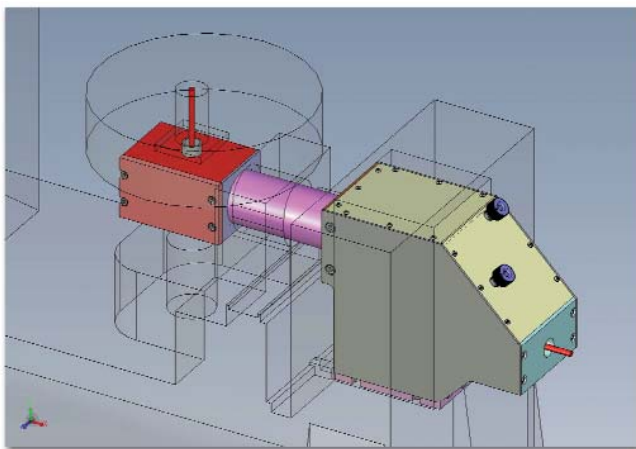
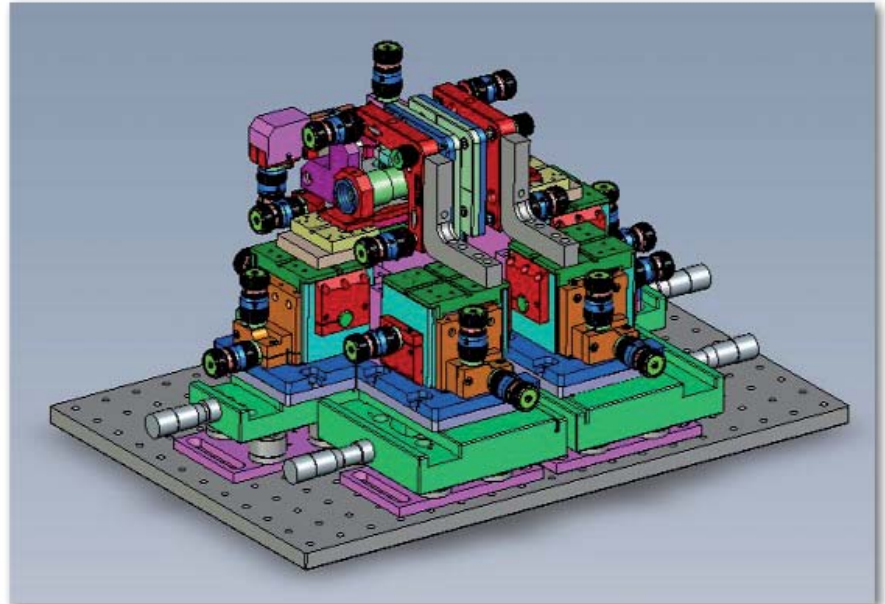
left: Pedestal pillar post with one of our table clamping forks

OEM & Custom Design

Our in-house design and flexible manufacturing gives us the capability to design custom one-off and volume OEM mechanical systems. Using the latest 3D design software we can supply, and are pleased to quote for the simplest to the most complicated opto-mechanical systems. Here are some examples of custom and OEM designs that we have recently undertaken for clients.

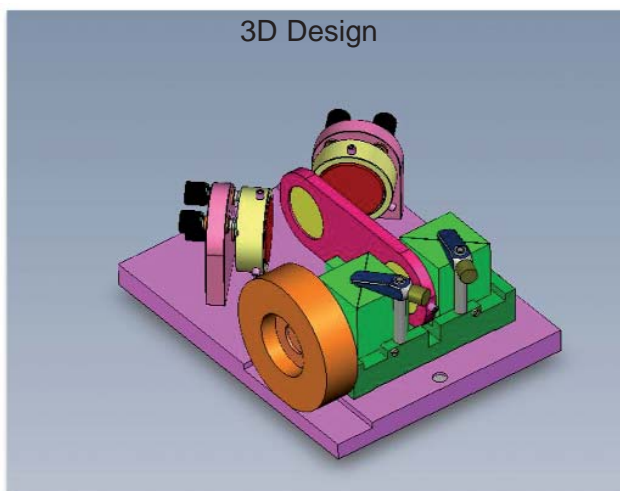
Custom Waveguide Alignment System.

This complex design incorporates five flexure stages plus two mirror mounts and objective holders.

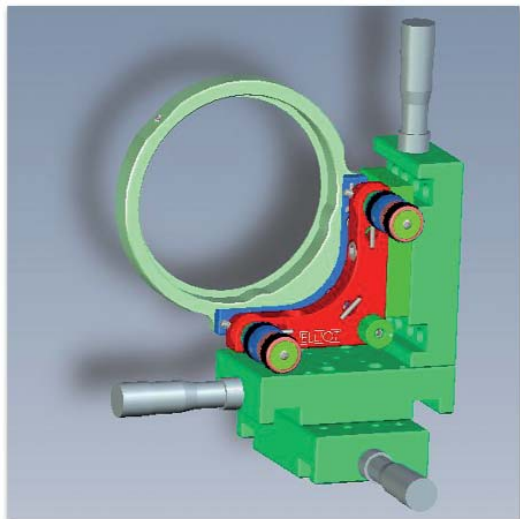


Optical Tweezer System integrated into a commercial microscope.

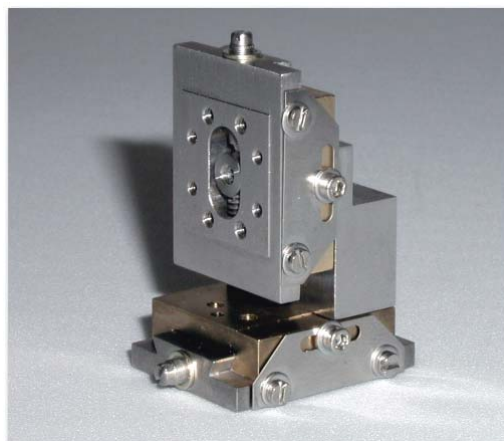
Miniature Optical Assembly



OEM & Custom Design



5-axis mirror mount with high precision adjusters



Special 2-axis lockable, vacuum-compatible non-magnetic stage



Mirror mount fitted with micrometers on 2 axes



Multi-axis miniature manipulator providing 2 rotation and 2 linear axes assembled from standard Elliot Martock components with custom interfaces and adaptors.



Ultra-compact multi-axis stages can be designed to fit in the most challenging size constraints. This unit is part of an X-ray monochromator and has 2 rotation and 1 linear axes, adjustable from above, in a volume no larger than 20 x 21 x 55mm.

View these and many other Elliot/Martock products on www.elliotscientific.com



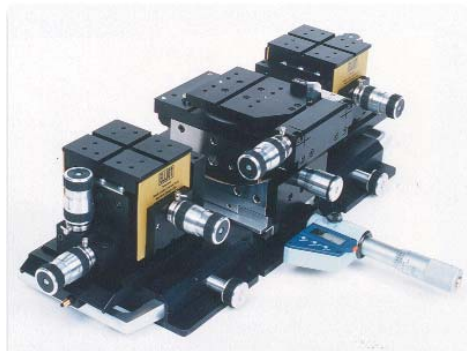
Fibre Launch Systems



Optical Tweezer Systems



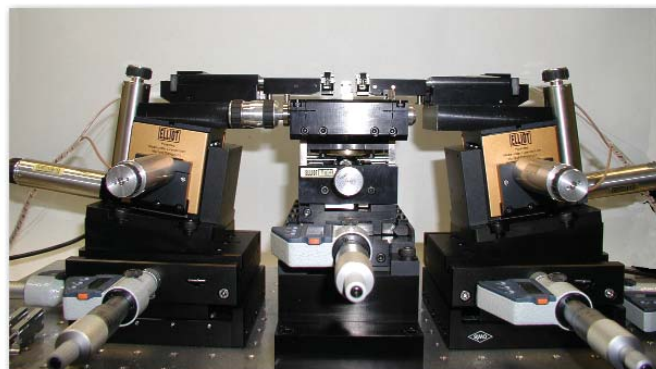
Very Small Micropositioners



Device/Waveguide Manipulators



Timewarp Autocorrelator



Custom Alignment Systems

Terms and conditions:

All prices shown exclude shipping and VAT/TVA charges which are dependent on your destination country. Euro prices listed in this brochure, shown as €, are correct at time of printing. They are subject to exchange rate fluctuations. Please check our web site for correct Euro pricing at time of order, we will acknowledge your order with correct pricing.

U.S. Dollar and Japanese Yen pricing is available on our web site. For shipping destinations outside the EC the customer will be liable for any local sales tax or import/excise duty applicable.

Elliot Scientific Ltd reserve the right to change prices or specifications whenever necessary.

Design & layout by www.consultcoles.co.uk 1/1/07

Elliot Scientific Ltd.

3 Allied Business Centre, Coldharbour Lane, Harpenden, Herts AL5 4UT United Kingdom
Tel: +44 (0)1582 766300 Fax: +44 (0)1582 766340 E-Mail: sales@elliotscientific.com

www.elliotscientific.com