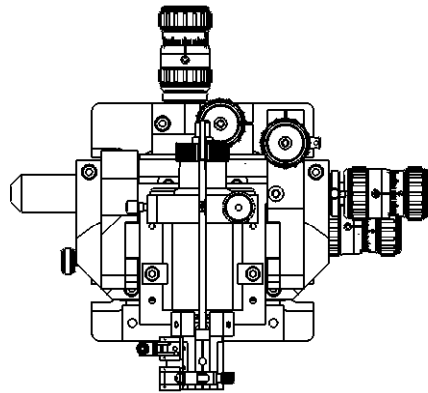
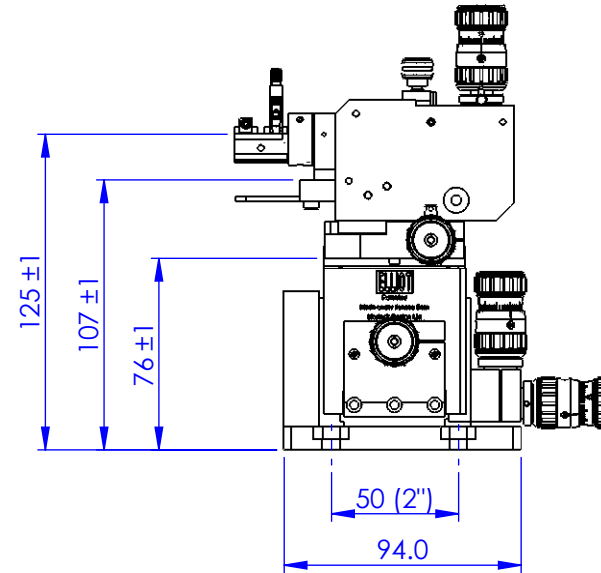
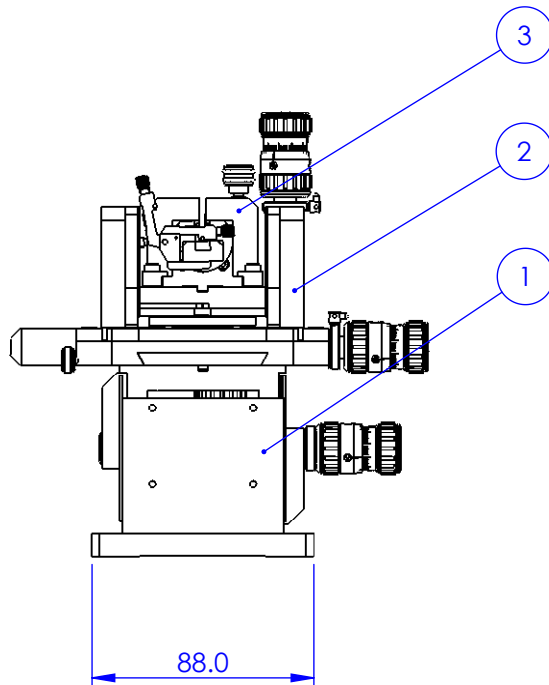


REV.	REVISIONS	DATE	APPROVED
	DESCRIPTION		



PART NO.	ITEM NO.	QTY.	DESCRIPTION
MDE122	1	1	XYZ FLEXURE STAGE
MDE185	2	1	PITCH & YAW MODULE
MDE717	3	1	FIBRE ROTATOR



**PROPRIETARY AND CONFIDENTIAL  
COPYRIGHT ELLIOT SCIENTIFIC Ltd.**  
THE INFORMATION CONTAINED IN THIS  
DRAWING IS THE SOLE PROPERTY OF  
ELLIOT SCIENTIFIC LTD. REPRODUCTION  
IN PART OR AS A WHOLE WITHOUT WRITTEN  
PERMISSION IS PROHIBITED.

DIMENSIONS ARE IN mm  
GENERAL TOLERANCES:  $\pm 0.1$   
ANGULAR TOLERANCES:  $\pm$   
SURFACE FINISH:  
ALL BURRS, SHARP EDGES  
AND CORNERS TO BE  
REMOVED

	NAME	DATE
AUTHOR	GW	19/12/2006
CHECKED	--	--
MATERIAL		
FINISH		
DO NOT SCALE DRAWING		

**Elliot Scientific**

TITLE	
<b>6 AXIS POSITIONER</b>	
SIZE	DWG. NO.
<b>A4</b>	<b>MDE187</b>
SCALE:1:3	THIRD ANGLE PROJECTION
SHEET 1 OF 1	