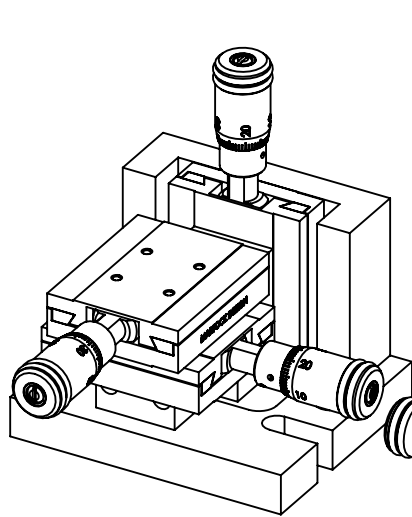
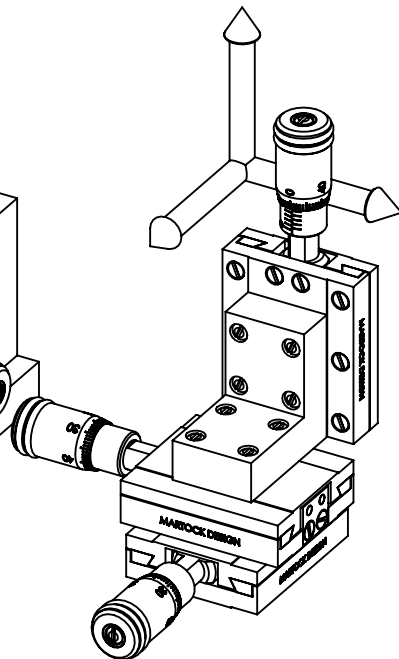


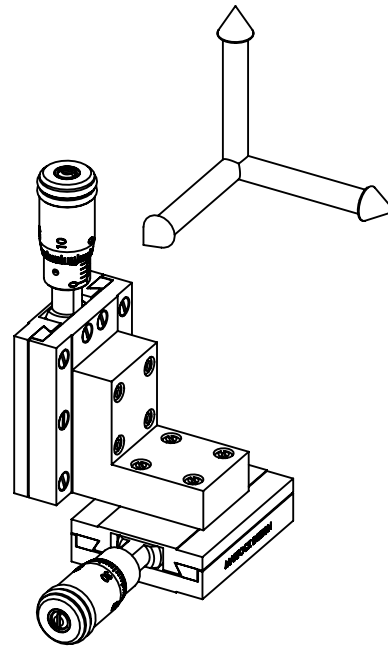
REV.	REVISIONS	DESCRIPTION	DATE	APPROVED



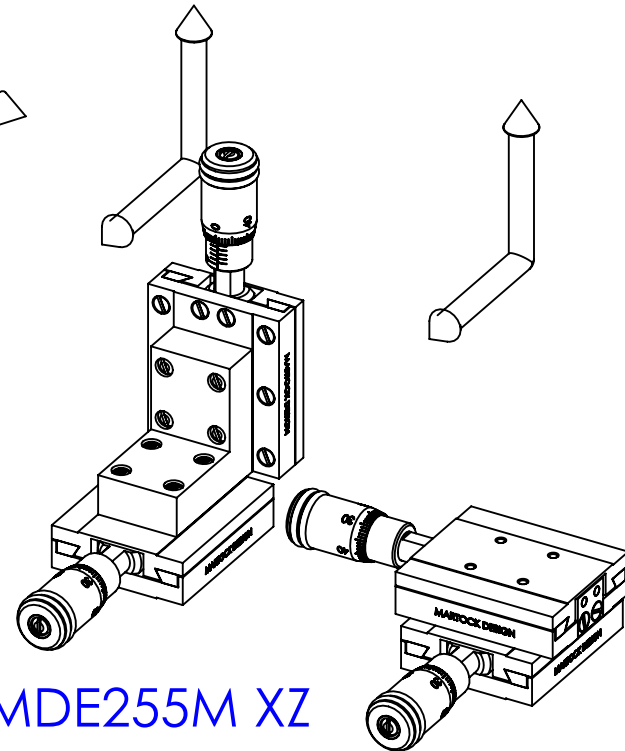
MDE850M



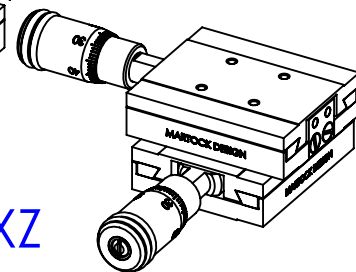
MDE259M



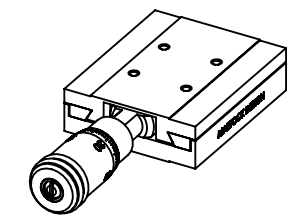
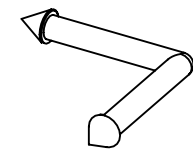
MDE255M YZ



MDE255M XZ



MDE258M



MDE255M

**PROPRIETARY AND CONFIDENTIAL**  
**COPYRIGHT ELLIOT SCIENTIFIC Ltd.**  
 THE INFORMATION CONTAINED IN THIS DRAWING IS THE SOLE PROPERTY OF ELLIOT SCIENTIFIC LTD. REPRODUCTION IN PART OR AS A WHOLE WITHOUT WRITTEN PERMISSION IS PROHIBITED.

DIMENSIONS ARE IN mm  
 GENERAL TOLERANCES:  $\pm 0.1$   
 ANGULAR TOLERANCES:  $\pm$   
 SURFACE FINISH:  
 ALL BURRS, SHARP EDGES  
 AND CORNERS TO BE  
 REMOVED

	NAME	DATE
AUTHOR	GW	09/06/2010
CHECKED	--	--
MATERIAL	---	
FINISH	---	
DO NOT SCALE DRAWING		

		TITLE	
		10mm TRAVEL DOVETAIL SLIDES	
SIZE	DWG. NO.	MDE255M SERIES	
A4			
SCALE:2:3	THIRD ANGLE PROJECTION	SHEET 1 OF 1	