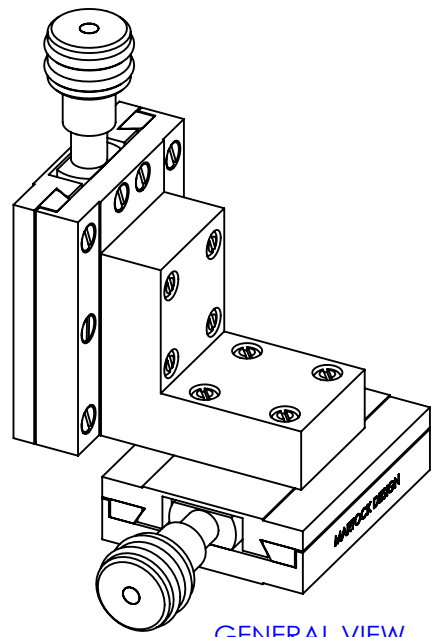
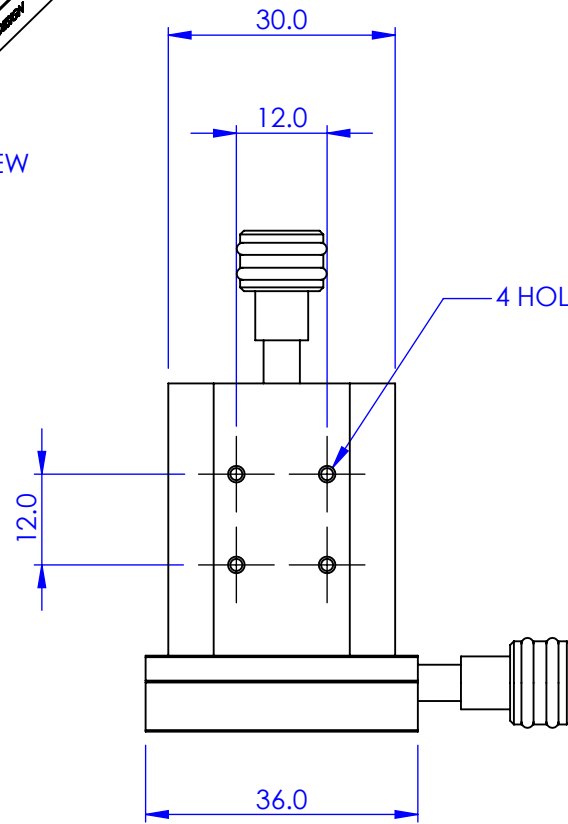


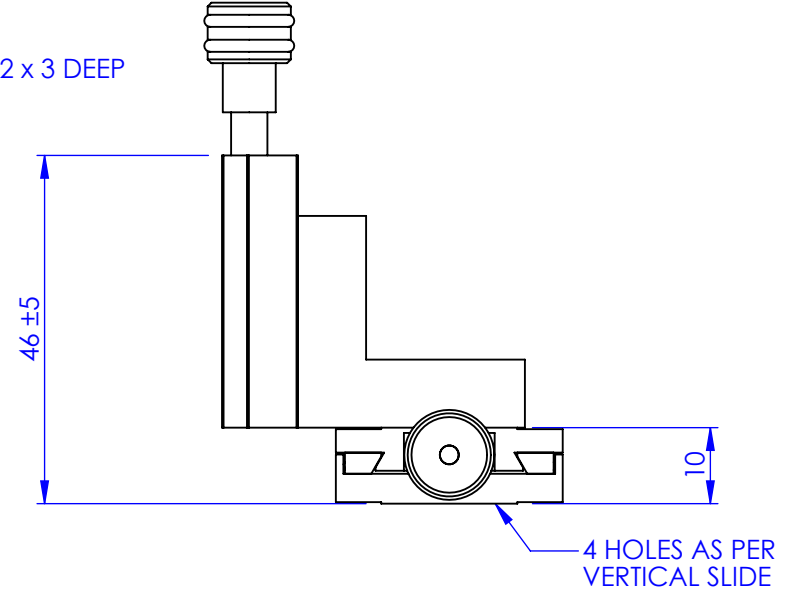
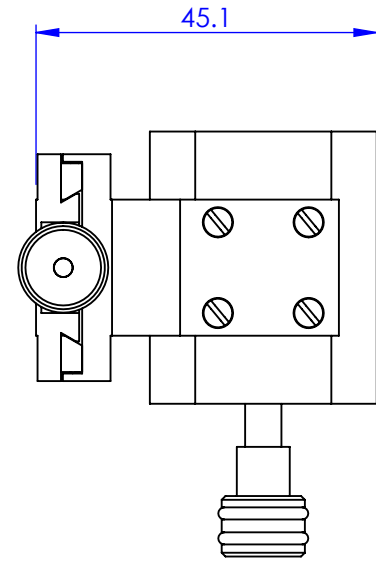
REV.	REVISIONS	DESCRIPTION	DATE	APPROVED



GENERAL VIEW  
SCALE 1:1



4 HOLES M2 x 3 DEEP



4 HOLES AS PER  
VERTICAL SLIDE

**PROPRIETARY AND CONFIDENTIAL**  
**COPYRIGHT ELLIOT SCIENTIFIC Ltd.**  
THE INFORMATION CONTAINED IN THIS  
DRAWING IS THE SOLE PROPERTY OF  
ELLIOT SCIENTIFIC LTD. REPRODUCTION  
IN PART OR AS A WHOLE WITHOUT WRITTEN  
PERMISSION IS PROHIBITED.

DIMENSIONS ARE IN mm  
GENERAL TOLERANCES: ± 0.1  
ANGULAR TOLERANCES: ±  
SURFACE FINISH:  
ALL BURRS, SHARP EDGES  
AND CORNERS TO BE  
REMOVED

AUTHOR	NAME	DATE
GW	GW	11/05/2010
CHECKED	--	--
MATERIAL STAINLESS STEEL, BRASS, ALUM. ALLOY		
FINISH --		
DO NOT SCALE DRAWING		

		TITLE	
		YZ DOVETAIL SLIDE	
SIZE	DWG. NO.	A4 MDE255 YZ	
SCALE:1:1		THIRD ANGLE PROJECTION	
SHEET 1 OF 1		SHEET 1 OF 1	