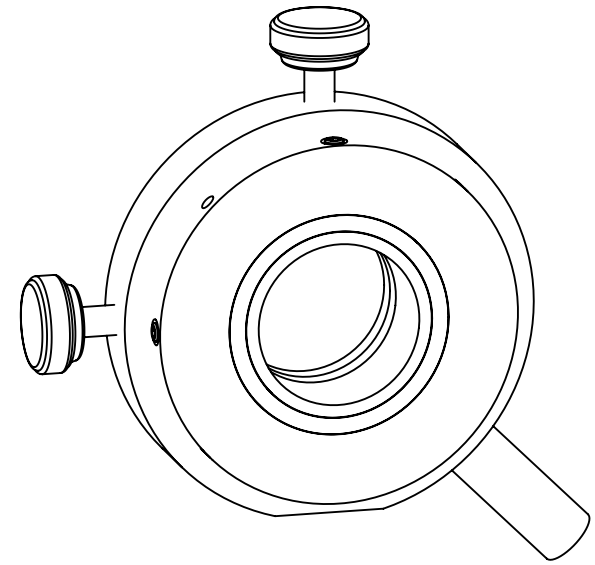
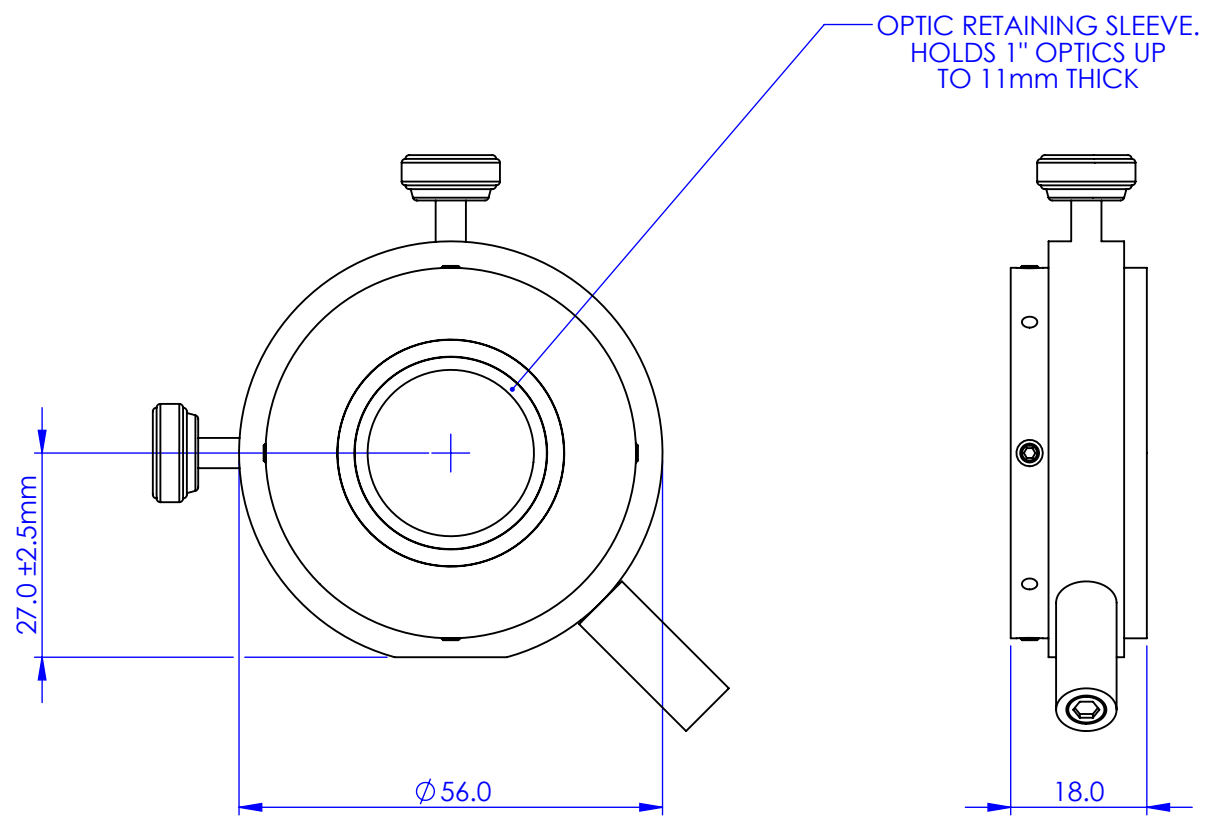
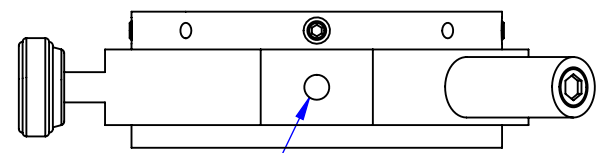


REV.	REVISIONS	DATE	APPROVED
	DESCRIPTION		



GENERAL VIEW
SCALE 1:1

±2.5mm TRAVEL IN X AND Y



TAPPED M4 MOUNTING HOLE

PROPRIETARY AND CONFIDENTIAL
COPYRIGHT ELLIOT SCIENTIFIC Ltd.
THE INFORMATION CONTAINED IN THIS
DRAWING IS THE SOLE PROPERTY OF
ELLIOT SCIENTIFIC LTD. REPRODUCTION
IN PART OR AS A WHOLE WITHOUT WRITTEN
PERMISSION IS PROHIBITED.

DIMENSIONS ARE IN mm
GENERAL TOLERANCES: ± 0.1
ANGULAR TOLERANCES: ±
SURFACE FINISH:
ALL BURRS, SHARP EDGES
AND CORNERS TO BE
REMOVED

	NAME	DATE
AUTHOR	GW	10/07/2009
CHECKED	--	--
MATERIAL	---	
FINISH	---	
DO NOT SCALE DRAWING		

Elliot Scientific

TITLE
LENS CENTRING MOUNT

SIZE **A4** DWG. NO. **MDE870**

SCALE:1:1 THIRD ANGLE PROJECTION SHEET 1 OF 1