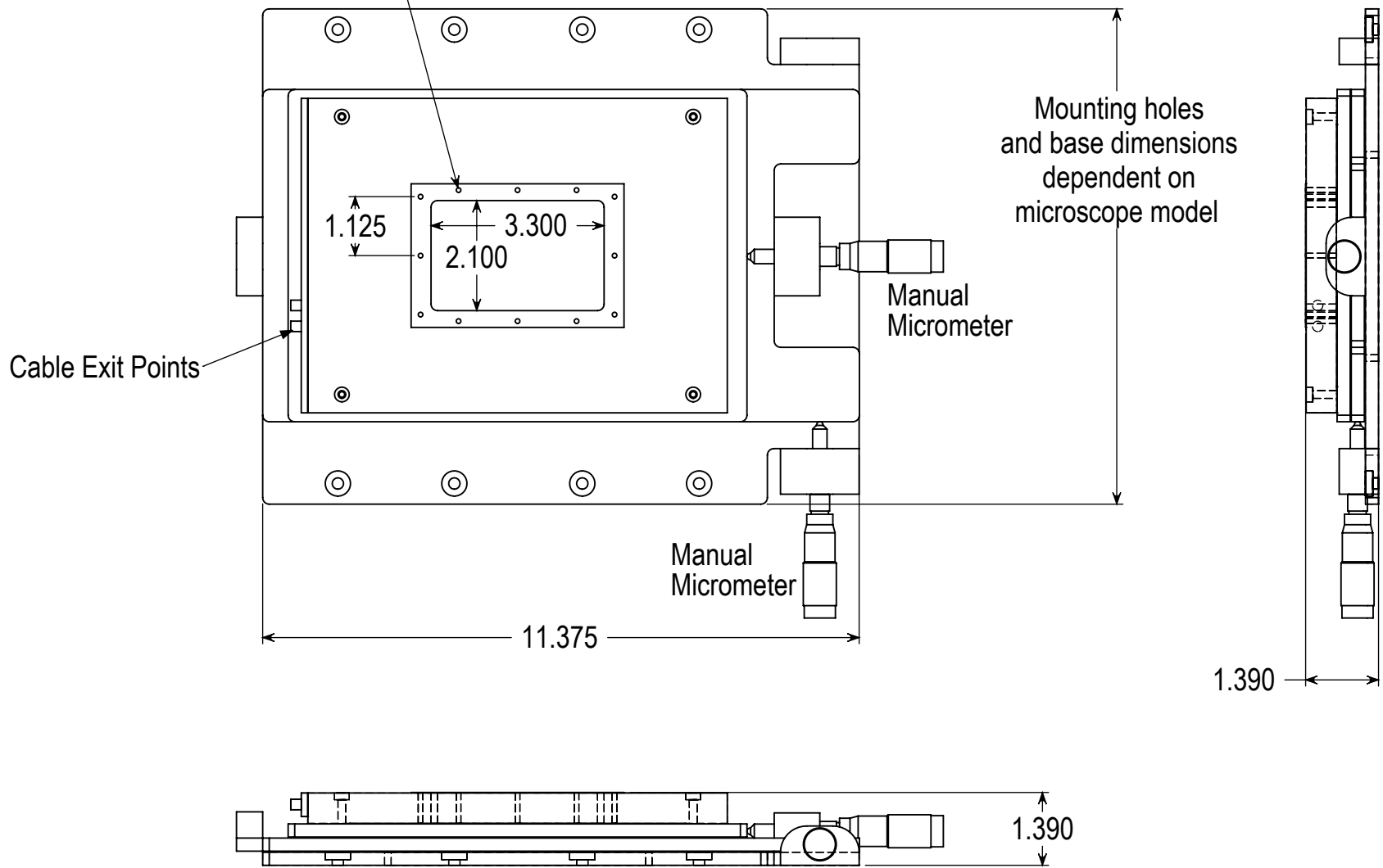


12 x tapped 4-40 UNC  $\nabla$  0.224  
on a 3.70" x 2.50" rect.



# Nano-View™ /M (2-axis)

Dimensions are in INCHES  
Drawing No.  
NVM2.09.A

DRAWING IS TO BE USED AS A GUIDE ONLY. DIMENSIONS ARE SUBJECT TO CHANGE WITHOUT NOTICE. THE INFORMATION CONTAINED IN THIS DRAWING IS THE SOLE PROPERTY OF MAD CITY LABS. ANY REPRODUCTION IN PART OR AS A WHOLE IS PROHIBITED.

12 x tapped 4-40 UNC  $\nabla$  0.220  
on a 3.70" x 2.50" rect.

