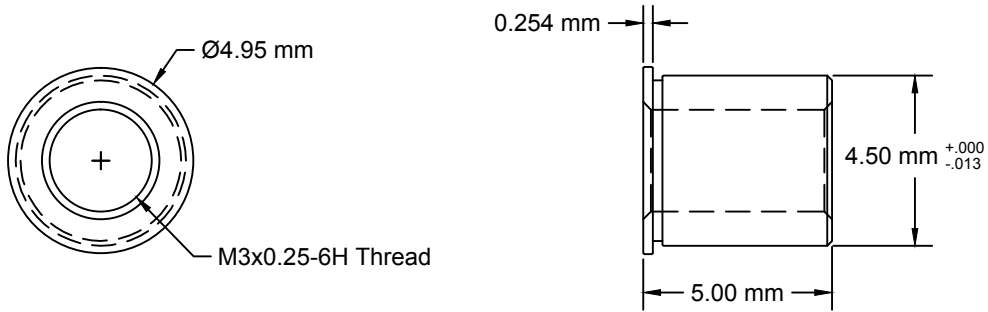
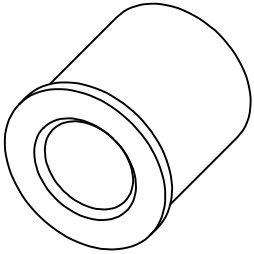


Revisions			
Rev.	Description	Date	Approved
A	Initial Release	03/29/10	G.K.



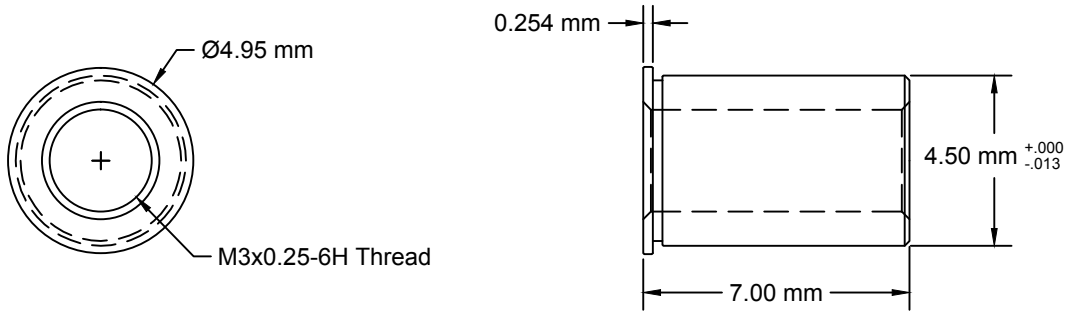
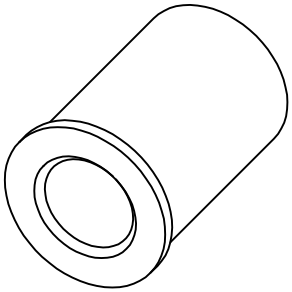
Kozak Micro Adjusters 193 Franklin Rd. Randolph, NJ 07869  Phone: 1-973-442-1001 Fax: 1-973-442-1448 Email: info@kozakmicro.com	
Drawn	D.K. 03/12/10
Check	J.P. 03/18/10
Appr.	G.K. 03/29/10
Issued	05/19/10



**M3 x 0.25, 5mm Bushing**

Size <b>A</b>	Drawing No. <b>TB3-25-05</b>	Rev. <b>A</b>
Scale <b>5:1</b>	Material <b>360 Brass</b>	Sheet <b>1 of 1</b>

Revisions			
Rev.	Description	Date	Approved
A	Initial Release	03/29/10	G.K.



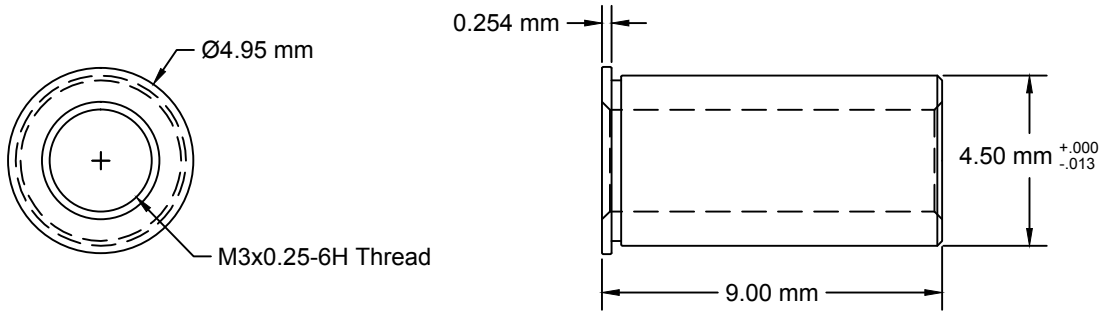
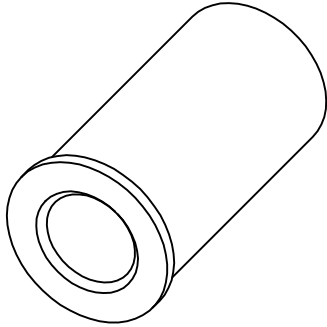
Kozak Micro Adjusters 193 Franklin Rd. Randolph, NJ 07869  Phone: 1-973-442-1001 Fax: 1-973-442-1448 Email: info@kozakmicro.com	
Drawn	D.K. 03/12/10
Check	J.P. 03/18/10
Appr.	G.K. 03/29/10
Issued	05/19/10



**M3 x 0.25, 7mm Bushing**

Size	Drawing No.	Rev.
<b>A</b>	<b>TB3-25-07</b>	<b>A</b>
Scale	Material	Sheet
<b>5:1</b>	<b>360 Brass</b>	<b>1 of 1</b>

Revisions			
Rev.	Description	Date	Approved
A	Initial Release	03/29/10	G.K.



Kozak Micro Adjusters  
 193 Franklin Rd.  
 Randolph, NJ 07869

Phone: 1-973-442-1001  
 Fax: 1-973-442-1448  
 Email: info@kozakmicro.com



**M3 x 0.25, 9mm Bushing**

Drawn D.K. 03/12/10

Check J.P. 03/18/10

Appr. G.K. 03/29/10

Issued 05/19/10

Size <b>A</b>	Drawing No. <b>TB3-25-09</b>	Rev. <b>A</b>
Scale <b>5:1</b>	Material <b>360 Brass</b>	Sheet <b>1 of 1</b>