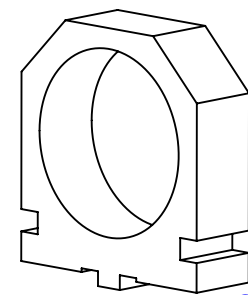
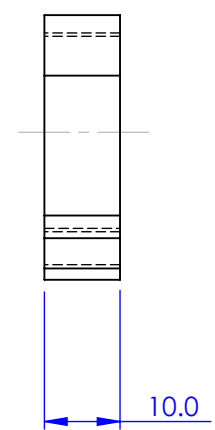
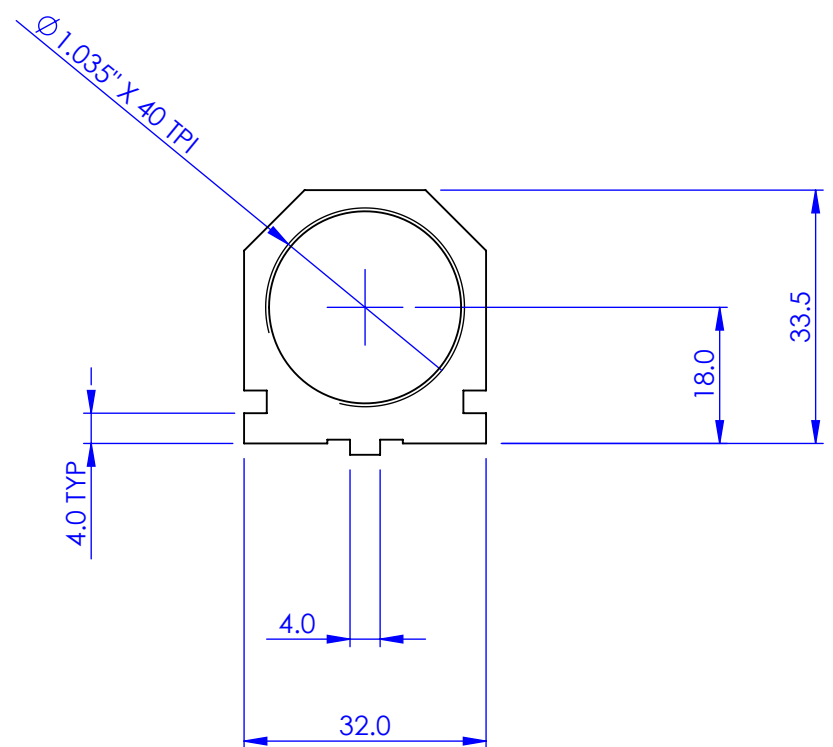


| REV. | REVISIONS | DATE | APPROVED |
|------|-------------|------|----------|
| | DESCRIPTION | | |
| | | | |



GENERAL VIEW
SCALE: 1:1



PROPRIETARY AND CONFIDENTIAL
COPYRIGHT ELLIOT SCIENTIFIC Ltd.
 THE INFORMATION CONTAINED IN THIS
 DRAWING IS THE SOLE PROPERTY OF
 ELLIOT SCIENTIFIC LTD. REPRODUCTION
 IN PART OR AS A WHOLE WITHOUT WRITTEN
 PERMISSION IS PROHIBITED.

DIMENSIONS ARE IN mm
 GENERAL TOLERANCES: ± 0.1
 ANGULAR TOLERANCES: ±
 SURFACE FINISH:
 ALL BURRS, SHARP EDGES
 AND CORNERS TO BE
 REMOVED

| AUTHOR | NAME | DATE |
|--------------------------|------|------------|
| GW | GW | 24/03/2006 |
| CHECKED | -- | -- |
| MATERIAL ALUM ALLOY | | |
| FINISH ANODISED BLACK | | |
| DO NOT SCALE DRAWING | | |

Elliot Scientific

TITLE
THREADED MOUNT

SIZE **A4** DWG. NO. **MDE157**

SCALE:1:1 THIRD ANGLE PROJECTION SHEET 1 OF 1