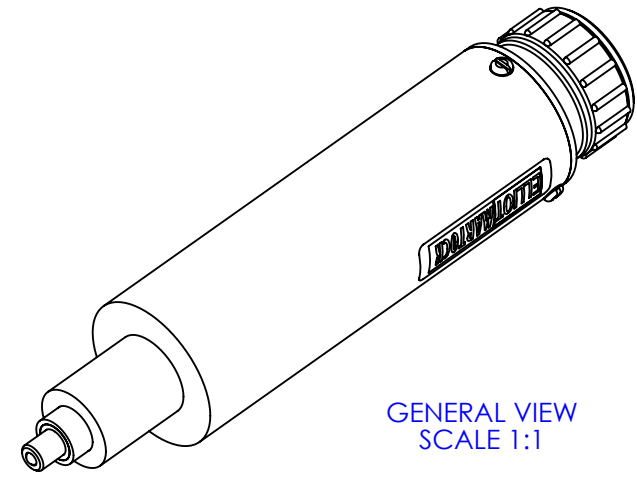
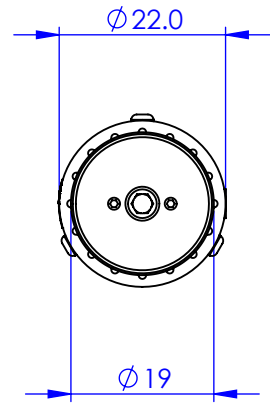
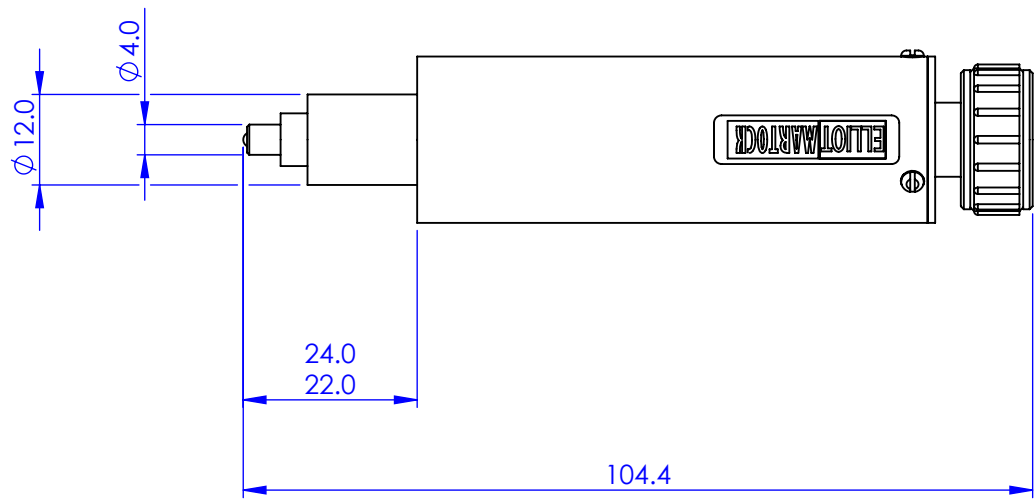


REV.	REVISIONS	DESCRIPTION	DATE	APPROVED



GENERAL VIEW
SCALE 1:1



PROPRIETARY AND CONFIDENTIAL
COPYRIGHT ELLIOT SCIENTIFIC Ltd.
 THE INFORMATION CONTAINED IN THIS
 DRAWING IS THE SOLE PROPERTY OF
 ELLIOT SCIENTIFIC LTD. REPRODUCTION
 IN PART OR AS A WHOLE WITHOUT WRITTEN
 PERMISSION IS PROHIBITED.

DIMENSIONS ARE IN mm
 GENERAL TOLERANCES: ± 0.1
 ANGULAR TOLERANCES: \pm
 SURFACE FINISH:
 ALL BURRS, SHARP EDGES
 AND CORNERS TO BE
 REMOVED

NAME	DATE
AUTHOR GW	27/07/2010
CHECKED --	--
MATERIAL --	
FINISH --	
DO NOT SCALE DRAWING	

		TITLE	
		100µm PIEZO ADJUSTER	
SIZE	DWG. NO.		
A4	MDE227		
SCALE:1:1		THIRD ANGLE PROJECTION	SHEET 1 OF 1