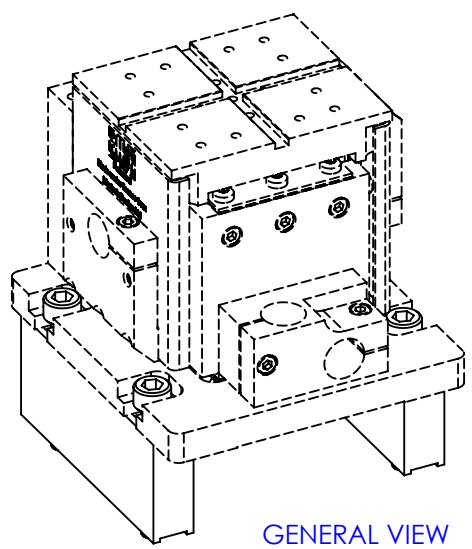


| REV. NO. | | REVISIONS | DATE | APPROVED |
|----------|--|-------------|------|----------|
| | | DESCRIPTION | | |

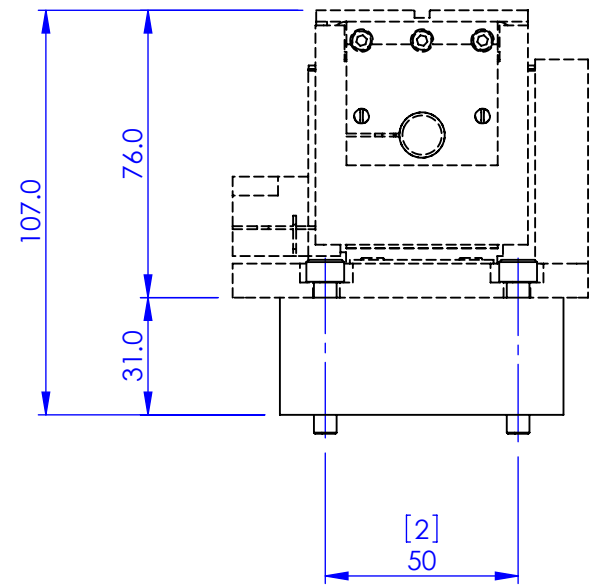
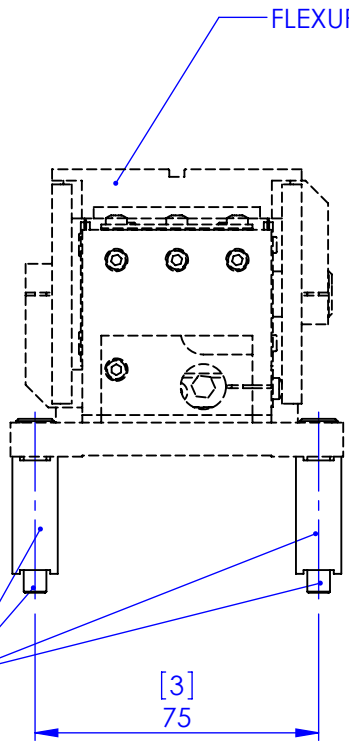


GENERAL VIEW
SCALE: 1:2

RISER BLOCKS ELEVATE FLEXURE STAGE
TOP PLATE FROM A STANDARD OPTICAL
AXIS HEIGHT OF 94mm TO 125mm (107 + 18)

FLEXURE STAGE (NOT INCLUDED)

MDE 141 RISER BLOCK SET



**PROPRIETARY AND CONFIDENTIAL
COPYRIGHT ELLIOT SCIENTIFIC Ltd.**
THE INFORMATION CONTAINED IN THIS
DRAWING IS THE SOLE PROPERTY OF
ELLIOT SCIENTIFIC LTD. REPRODUCTION
IN PART OR AS A WHOLE WITHOUT WRITTEN
PERMISSION IS PROHIBITED.

DIMENSIONS ARE IN mm
GENERAL TOLERANCES: ± 0.1
ANGULAR TOLERANCES: ±
SURFACE FINISH:
ALL BURRS, SHARP EDGES
AND CORNERS TO BE
REMOVED

| NAME | DATE |
|----------------------|------------|
| AUTHOR GW | 11/10/2005 |
| CHECKED -- | -- |
| MATERIAL | |
| FINISH --- | |
| DO NOT SCALE DRAWING | |

| | |
|---------------------------------|---------------------------|
| Elliot Scientific | |
| TITLE RISER BLOCK SET | |
| SIZE A4 | DWG. NO. MDE141 |
| SCALE: 1:2 | THIRD ANGLE PROJECTION |
| SHEET 1 OF 1 | |