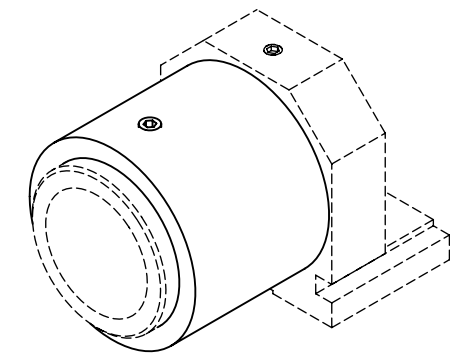
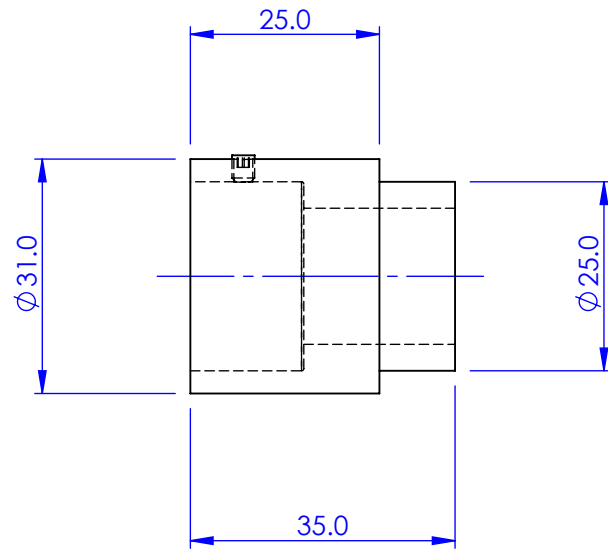


REV. NO.		REVISIONS	DATE	APPROVED
		DESCRIPTION		



GENERAL VIEW
SCALE: 1:1
(SHOWN WITH MDE150)

PROPRIETARY AND CONFIDENTIAL
COPYRIGHT ELLIOT SCIENTIFIC LTD.
THE INFORMATION CONTAINED IN THIS DRAWING IS THE SOLE PROPERTY OF ELLIOT SCIENTIFIC LTD. REPRODUCTION IN PART OR AS A WHOLE WITHOUT WRITTEN PERMISSION IS PROHIBITED.

DIMENSIONS ARE IN mm
GENERAL TOLERANCES: ± 0.1
ANGULAR TOLERANCES: \pm
SURFACE FINISH:
ALL BURRS, SHARP EDGES
AND CORNERS TO BE
REMOVED

NAME	DATE
AUTHOR GW	12/07/2010
CHECKED --	--

MATERIAL
ALUM ALLOY

FINISH
ANODISED BLACK

DO NOT SCALE DRAWING

Elliot Scientific

TITLE
EXTENSION TUBE

SIZE
A4

DWG. NO.
MDE156

SCALE:1:1

THIRD ANGLE PROJECTION

SHEET 1 OF 1