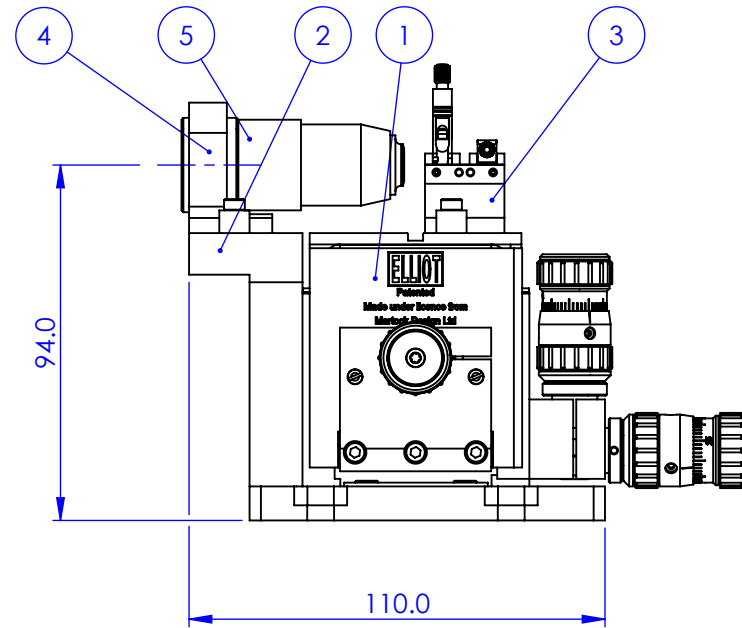
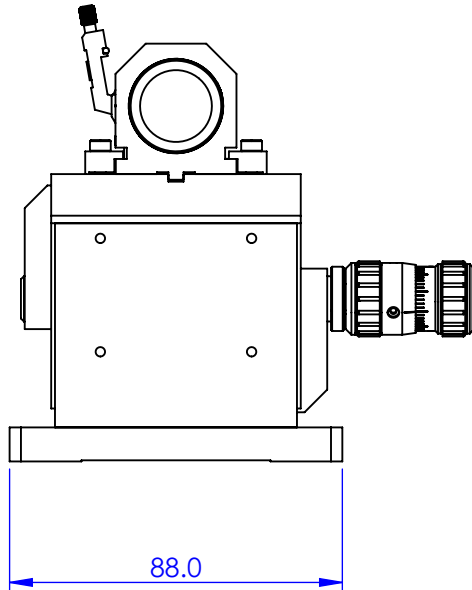
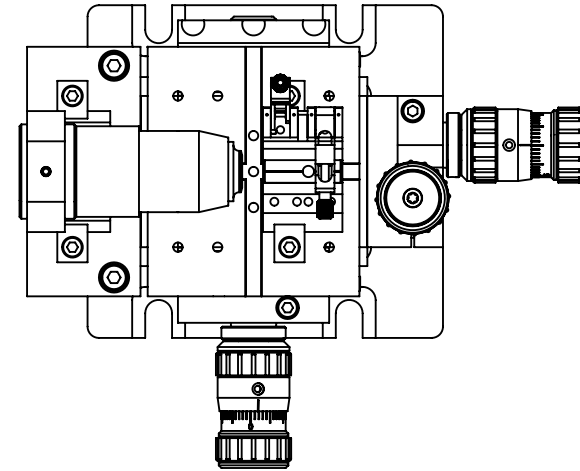


PART NO.	ITEM NO.	QTY.	DESCRIPTION
MDE122	1	1	XYZ STAGE WITH MDE216 ADJUSTERS
MDE148	2	1	SMALL PLATFORM ASSEMBLY
MDE150	4	1	OBJECTIVE MOUNT
MDE173*	5	1	ES OBJECTIVE
MDE710	3	1	FIBRE HOLDER

* MDE173 not included in MDE510

REV.	REVISIONS	DESCRIPTION	DATE	APPROVED



PROPRIETARY AND CONFIDENTIAL
COPYRIGHT ELLIOT SCIENTIFIC Ltd.
 THE INFORMATION CONTAINED IN THIS DRAWING IS THE SOLE PROPERTY OF ELLIOT SCIENTIFIC LTD. REPRODUCTION IN PART OR AS A WHOLE WITHOUT WRITTEN PERMISSION IS PROHIBITED.

DIMENSIONS ARE IN mm
 GENERAL TOLERANCES: ± 0.1
 ANGULAR TOLERANCES: \pm
 SURFACE FINISH:
 ALL BURRS, SHARP EDGES
 AND CORNERS TO BE
 REMOVED

NAME	DATE
AUTHOR	09/08/2010
CHECKED	--
MATERIAL	---
FINISH	---
DO NOT SCALE DRAWING	

		TITLE	
		FIBRE LAUNCH SYSTEM	
SIZE	DWG. NO.	TITLE	
A4	MDE510	FIBRE LAUNCH SYSTEM	
SCALE:1:2		THIRD ANGLE PROJECTION	SHEET 1 OF 1