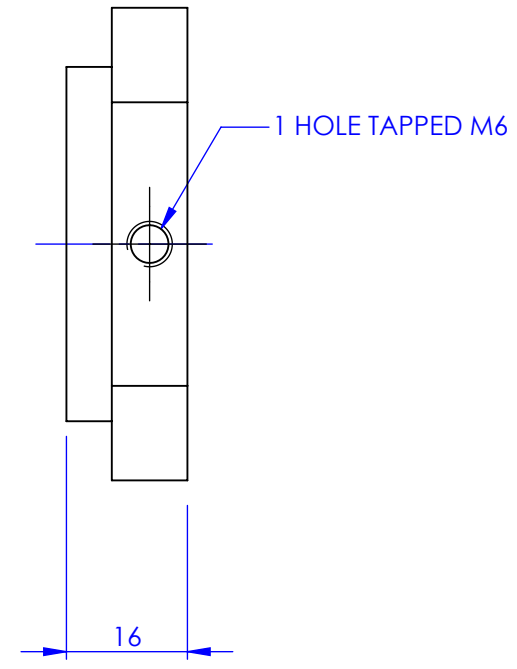
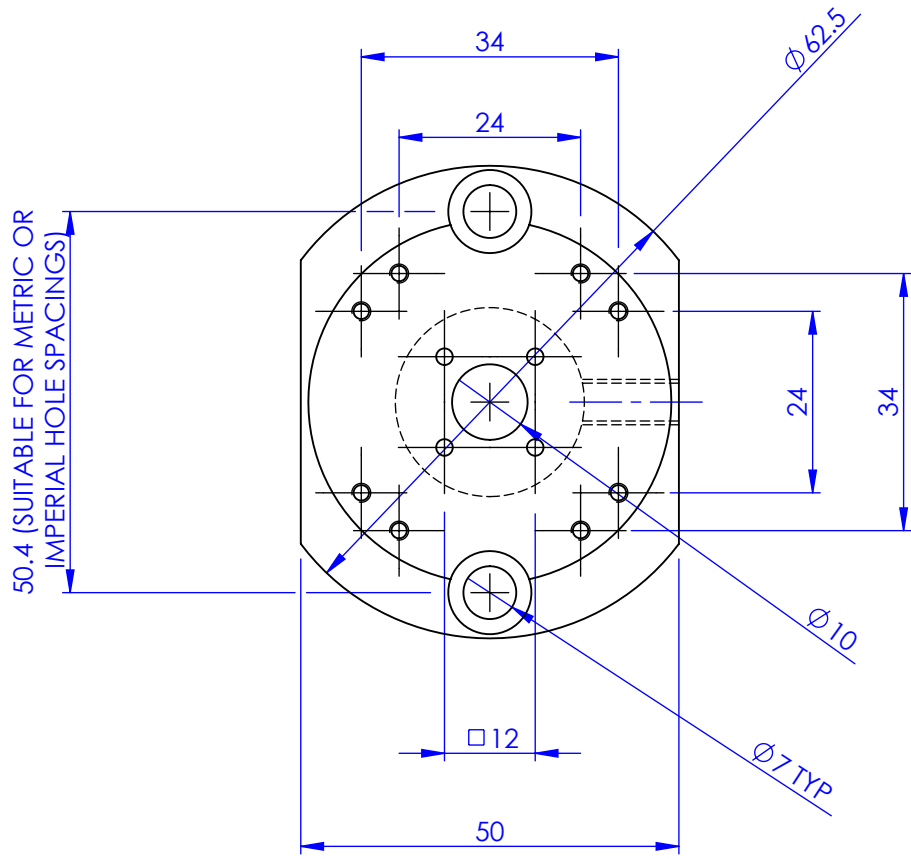


REV. NO.		REVISIONS	DATE	APPROVED
		DESCRIPTION		



**PROPRIETARY AND CONFIDENTIAL**  
**COPYRIGHT ELLIOT SCIENTIFIC Ltd.**  
 THE INFORMATION CONTAINED IN THIS DRAWING IS THE SOLE PROPERTY OF ELLIOT SCIENTIFIC LTD. REPRODUCTION IN PART OR AS A WHOLE WITHOUT WRITTEN PERMISSION IS PROHIBITED.

DIMENSIONS ARE IN mm  
 GENERAL TOLERANCES:  $\pm 0.1$   
 ANGULAR TOLERANCES:  $\pm$   
 SURFACE FINISH:  
 ALL BURRS, SHARP EDGES AND CORNERS TO BE REMOVED

AUTHOR	NAME	DATE
GW	GW	02/06/2010
CHECKED	--	--
MATERIAL		
FINISH		
DO NOT SCALE DRAWING		

**Elliot Scientific**

TITLE: **ADAPTOR PLATE**

SIZE: **A4** DWG. NO.: **MDE292**

SCALE: 1:1 THIRD ANGLE PROJECTION SHEET 1 OF 1