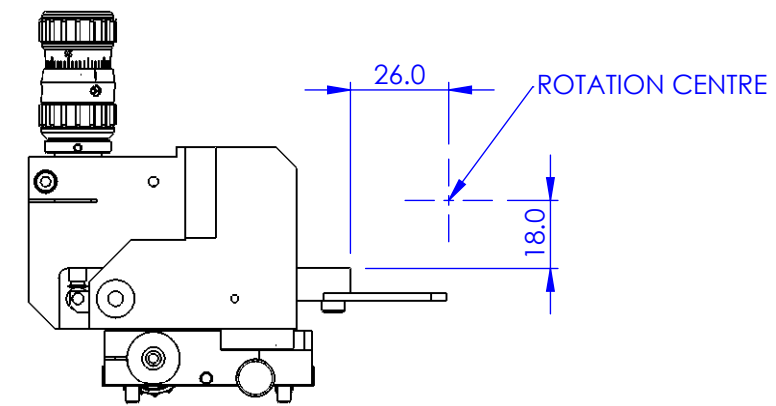
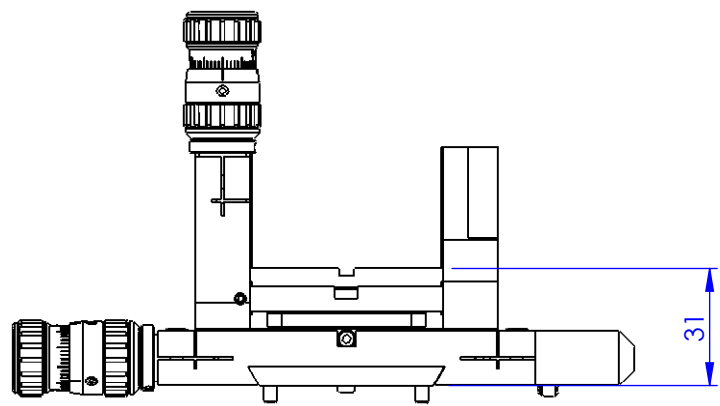
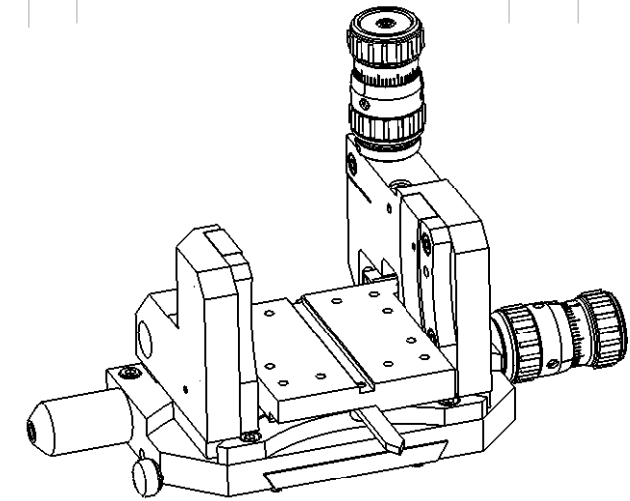
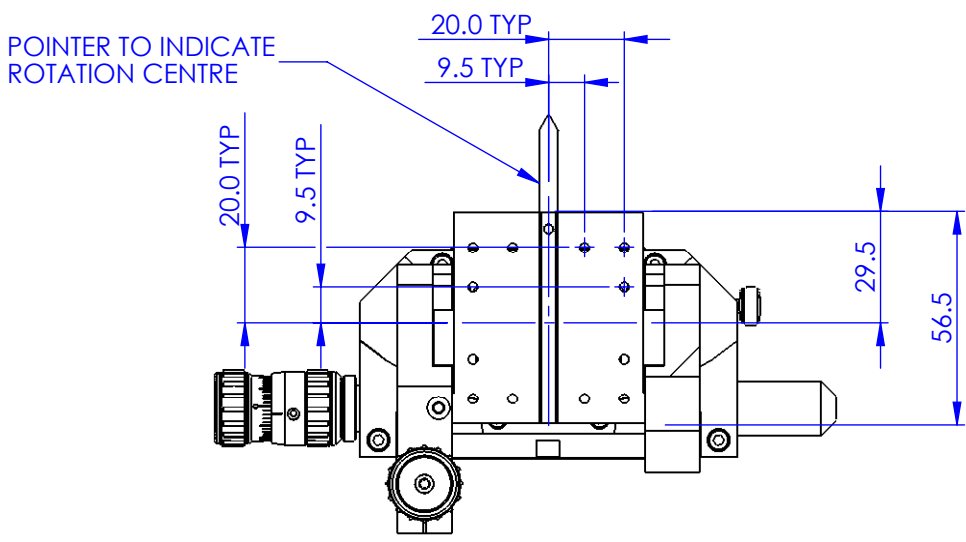


REV.	REVISIONS	DATE	APPROVED
	DESCRIPTION		



**PROPRIETARY AND CONFIDENTIAL**  
**COPYRIGHT ELLIOT SCIENTIFIC Ltd.**  
 THE INFORMATION CONTAINED IN THIS DRAWING IS THE SOLE PROPERTY OF ELLIOT SCIENTIFIC LTD. REPRODUCTION IN PART OR AS A WHOLE WITHOUT WRITTEN PERMISSION IS PROHIBITED.

DIMENSIONS ARE IN mm  
 GENERAL TOLERANCES:  $\pm 0.1$   
 ANGULAR TOLERANCES:  $\pm$   
 SURFACE FINISH:  
 ALL BURRS, SHARP EDGES  
 AND CORNERS TO BE  
 REMOVED

	NAME	DATE
AUTHOR	GW	26/02/2008
CHECKED	--	--
MATERIAL		
FINISH		
---		
DO NOT SCALE DRAWING		

		TITLE	
		2 AXIS PITCH YAW MODULE	
SIZE	DWG. NO.		
A4	MDE185		
SCALE:1:2		THIRD ANGLE PROJECTION	SHEET 1 OF 1