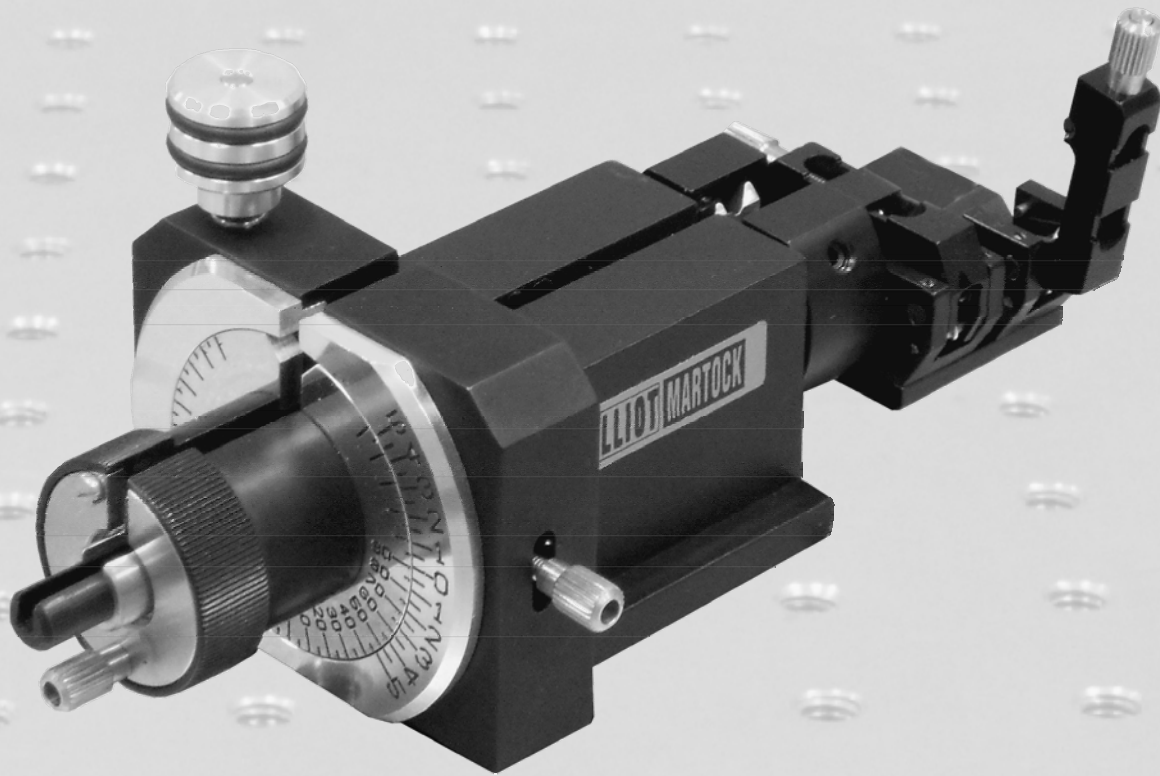


Gold Series Accessories



ELLIOT | MARTOCK

2019



Elliot Gold™ Series: Platforms & Mounts

MDE150 Objective Lens Mount. Standard RMS 0.800"-36 Thread



ELLIOT | MARTOCK

Objective lens mount fitted with a removable stainless steel sleeve cut with the microscope objective thread. Allows easy adjustment and exchange of objectives or other components having the standard RMS 0.800"-36 thread.

All accessories are compatible with the Elliot Gold™ series flexure stages. The optical axis height is 18 mm above the platform surface and on the centre line of the location slot. Where necessary a locating tongue forms part of the accessory. A standard clamp system is used and is supplied with the flexure stages and accessory platforms. The clamp set (MDE154) is available separately if required.

Options

Extension tube (MDE156)

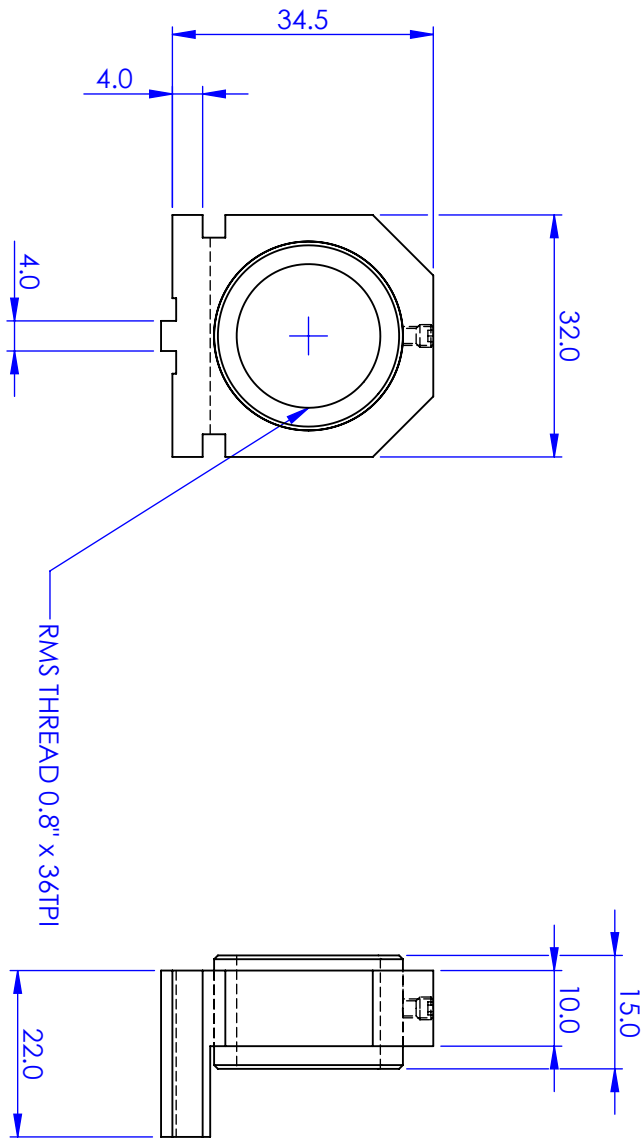
Flange insert for machining (MDE152)

Plain mount with 25mm bore (MDE151)

Adaptor plate for post holder (MDE155)

Clamp set (MDE154)

REVISIONS		DATE	APPROVED
REV.	DESCRIPTION		



PROPRIETARY AND CONFIDENTIAL
COPYRIGHT MARTOCK DESIGN LTD.
 THE INFORMATION CONTAINED IN THIS DRAWING IS THE SOLE PROPERTY OF MARTOCK DESIGN LTD*. REPRODUCTION IN PART OR AS A WHOLE WITHOUT WRITTEN PERMISSION IS PROHIBITED.
 *A WHOLLY OWNED SUBSIDIARY OF ELLIOT SCIENTIFIC LIMITED

DIMENSIONS ARE IN mm
 GENERAL TOLERANCES: ± 0.1
 ANGULAR TOLERANCES: ±
 SURFACE FINISH:
 ALL BURRS, SHARP EDGES AND CORNERS TO BE REMOVED

AUTHOR	NAME	DATE
ORIGINAL	GW	11/02/2008
MATERIAL	---	
FINISH	---	

Elliott Scientific

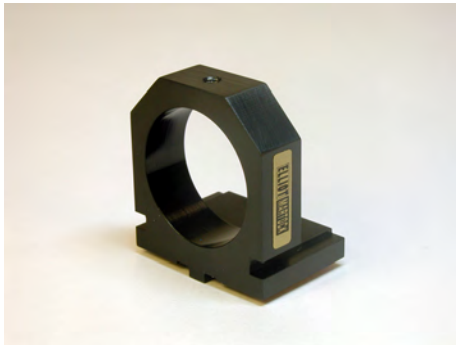
TITLE: **OBJECTIVE MOUNT MDE150**

SIZE: **A4** DWG. NO.: **MDE150**

DO NOT SCALE DRAWING SCALE: 1:1 THIRD ANGLE PROJECTION SHEET 1 OF 1

Elliot Gold™ Series: Platforms & Mounts

MDE151 Plain Mount



Plain mount fitted with a 25 mm bore that will hold 25 mm components such as Component Flange MDE152.

All accessories are compatible with the Elliot Gold™ series flexure stages. The optical axis height is 18 mm above the platform surface and on the centre line of the location slot. Where necessary a locating tongue forms part of the accessory. A standard clamp system is used and is supplied with the flexure stages and accessory platforms. The clamp set (MDE154) is available separately if required.

Options

Extension tube (MDE156)

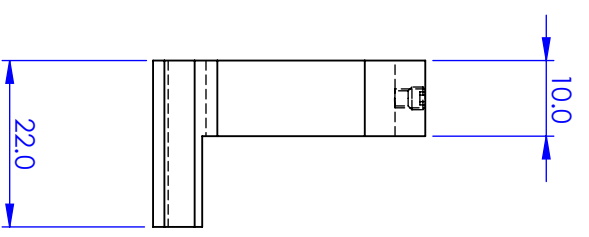
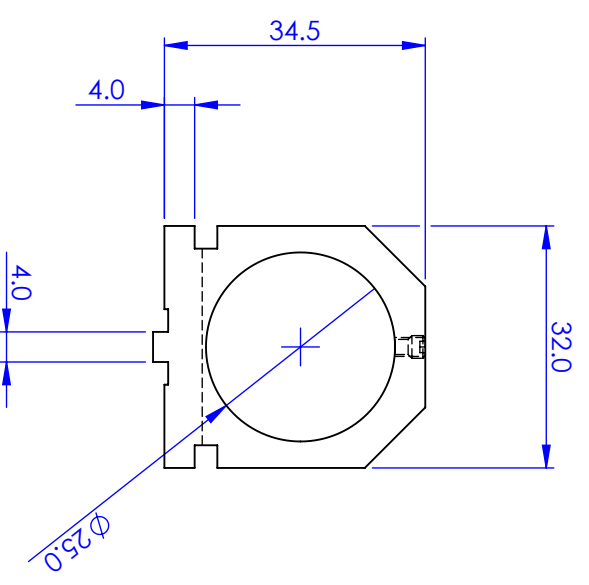
Flange insert for machining (MDE152)

Clamp set (MDE154)

Adaptor plate for post holder (MDE155)

Extension tube (MDE156)

REVISIONS		DATE	APPROVED
REV.	DESCRIPTION		



PROPRIETARY AND CONFIDENTIAL
COPYRIGHT MARTOCK DESIGN LTD.
 THE INFORMATION CONTAINED IN THIS DRAWING IS THE SOLE PROPERTY OF MARTOCK DESIGN LTD*. REPRODUCTION IN PART OR AS A WHOLE WITHOUT WRITTEN PERMISSION IS PROHIBITED.
 *A WHOLLY OWNED SUBSIDIARY OF ELLIOT SCIENTIFIC LIMITED

DIMENSIONS ARE IN mm
 GENERAL TOLERANCES: ± 0.1
 ANGULAR TOLERANCES: \pm
 SURFACE FINISH:
 ALL BURRS, SHARP EDGES AND CORNERS TO BE REMOVED

AUTHOR	NAME	DATE
ORIGINAL	GW	11/02/2008
3D MODEL		
MATERIAL	---	
FINISH	---	

Elliott Scientific

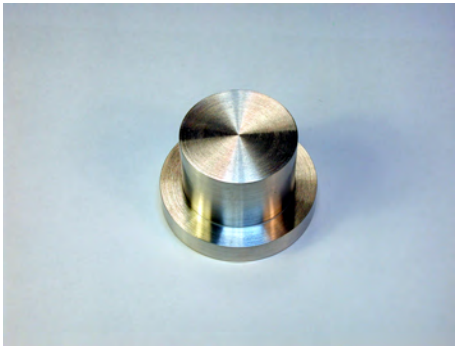
TITLE: **PLAIN MOUNT MDE151**

SIZE: **A4** DWG. NO.: **MDE151**

DO NOT SCALE DRAWING SCALE: 1:1 THIRD ANGLE PROJECTION SHEET 1 OF 1

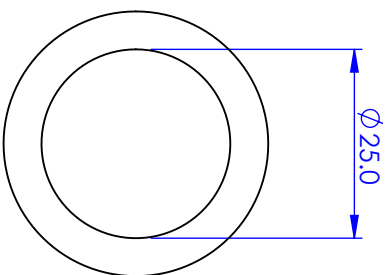
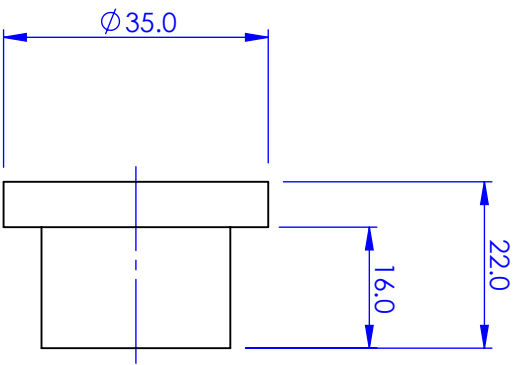
Elliot Gold™ Series: Platforms & Mounts

MDE152 Component Flange



Aluminium alloy flange insert which can be machined by Elliot Scientific or customer to hold components such as fibre chucks. For use with Plain Mount MDE151 or Objective/Ball Lens Mount MDE150.

REVISIONS		DATE	APPROVED
REV.	DESCRIPTION		



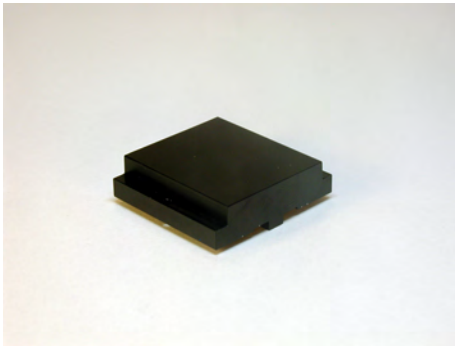
PROPRIETARY AND CONFIDENTIAL
COPYRIGHT MARTOCK DESIGN LTD.
 THE INFORMATION CONTAINED IN THIS DRAWING IS THE SOLE PROPERTY OF MARTOCK DESIGN LTD*. REPRODUCTION IN PART OR AS A WHOLE WITHOUT WRITTEN PERMISSION IS PROHIBITED.
 *A WHOLLY OWNED SUBSIDIARY OF ELLIOT SCIENTIFIC LIMITED

DIMENSIONS ARE IN mm
 GENERAL TOLERANCES: ± 0.1
 ANGULAR TOLERANCES: \pm
 SURFACE FINISH:
 ALL BURRS, SHARP EDGES AND CORNERS TO BE REMOVED

AUTHOR	NAME	DATE			
ORIGINAL	KFH				
3D MODEL	GW	11/02/2008			
MATERIAL	ALUM ALLOY		TITLE	COMPONENT FLANGE	
FINISH	SIZE	DWG. NO.			
DO NOT SCALE DRAWING			SCALE: 1:1	THIRD ANGLE PROJECTION	SHEET 1 OF 1

Elliot Gold™ Series: Platforms & Mounts

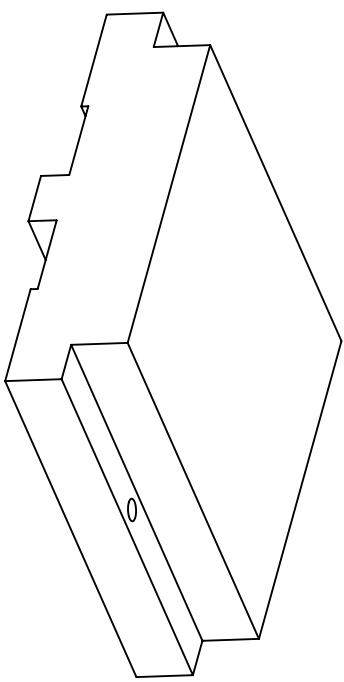
MDE153 Component Plate



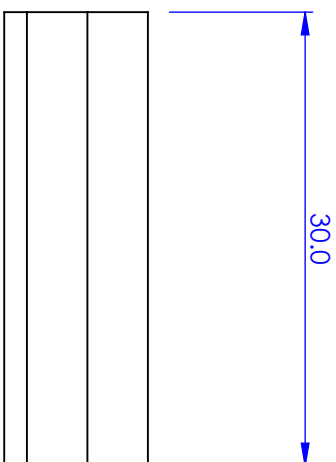
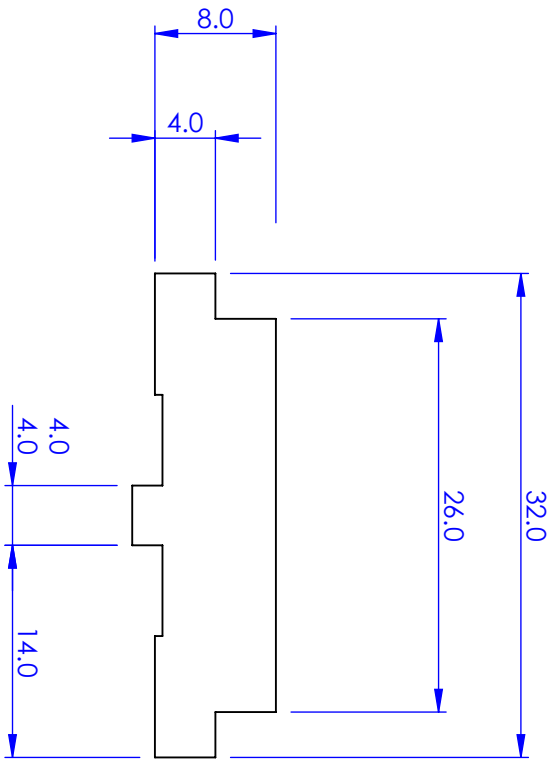
Component plate that clamps to Elliot Gold™ series flexure stages. Provides a basic platform for mounting of non-standard components.

All accessories are compatible with the Elliot Gold™ series flexure stages. The optical axis height is 18 mm above the platform surface and on the centre line of the location slot. Where necessary, a locating tongue forms part of the accessory. A standard clamp system is used and is supplied with the flexure stages and accessory platforms. The clamp set (MDE154) is available separately if required.

REVISIONS		DATE	APPROVED
REV.	DESCRIPTION		



GENERAL VIEW
SCALE: 2:1



PROPRIETARY AND CONFIDENTIAL
COPYRIGHT MARIOCK DESIGN LTD.
 THE INFORMATION CONTAINED IN THIS DRAWING IS THE SOLE PROPERTY OF MARIOCK DESIGN LTD*. REPRODUCTION IN PART OR AS A WHOLE WITHOUT WRITTEN PERMISSION IS PROHIBITED.
 *A WHOLLY OWNED SUBSIDIARY OF ELLIOT SCIENTIFIC LIMITED

DIMENSIONS ARE IN mm
 GENERAL TOLERANCES: ± 0.1
 ANGULAR TOLERANCES: ±
 SURFACE FINISH:
 ALL BURRS, SHARP EDGES
 AND CORNERS TO BE
 REMOVED

AUTHOR	NAME	DATE		
ORIGINAL	GW	11/02/2008		
3D MODEL	GW	11/02/2008	TITLE	
MATERIAL	ALUM. ALLOY		COMPONENT PLATE	
FINISH	ANODISED BLACK		SIZE	DWG. NO.
DO NOT SCALE DRAWING	A4	MDE153	SCALE2:1	THIRD ANGLE PROJECTION
			SHEET 1 OF 1	

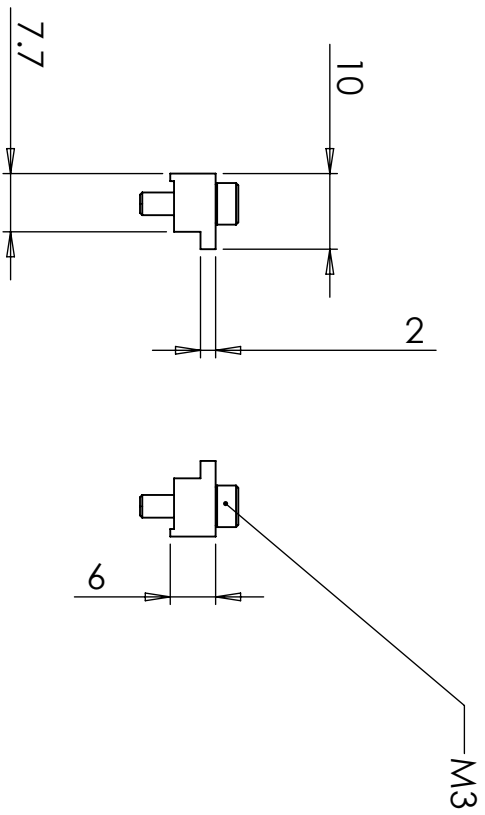
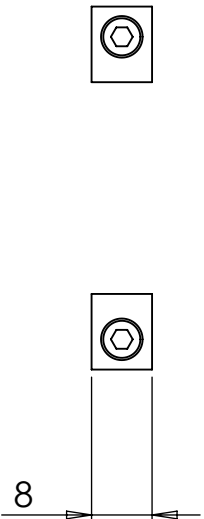
Elliot Gold™ Series: Platforms & Mounts

MDE154 Clamp Set



Clamp set for use with XYZ Flexure Stage accessories. Includes two clamps plus screws and a socket key. One clamp set is supplied with each of the flexure stages and accessory platforms.

REVISIONS		DATE	APPROVED
REV.	DESCRIPTION		



MDE154

PROPRIETARY AND CONFIDENTIAL
COPYRIGHT ELIOT SCIENTIFIC LTD.
 THE INFORMATION CONTAINED IN THIS
 DRAWING IS THE SOLE PROPERTY OF
 ELIOT SCIENTIFIC LTD. REPRODUCTION
 IN PART OR AS A WHOLE WITHOUT WRITTEN
 PERMISSION IS PROHIBITED.

DIMENSIONS ARE IN mm
 GENERAL TOLERANCES: ± 0.1
 ANGULAR TOLERANCES: ±
 SURFACE FINISH:
 ALL BURRS, SHARP EDGES
 AND CORNERS TO BE
 REMOVED

AUTHOR	NAME	DATE
CHECKED	GW	12/07/2010
MATERIAL		
FINISH		

		TITLE
SIZE	DWG. NO.	CLAMP SET
A4	MDE154	
SCALE: 1:1	THIRD ANGLE PROJECTION	SHEET 1 OF 1

DO NOT SCALE DRAWING

Elliot Gold™ Series: Platforms & Mounts

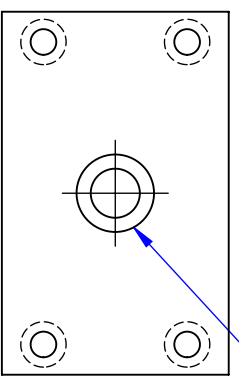
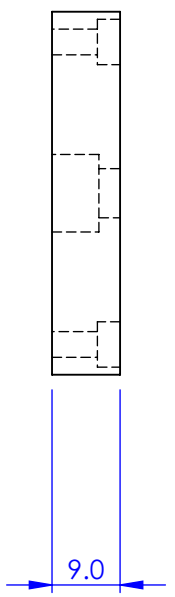
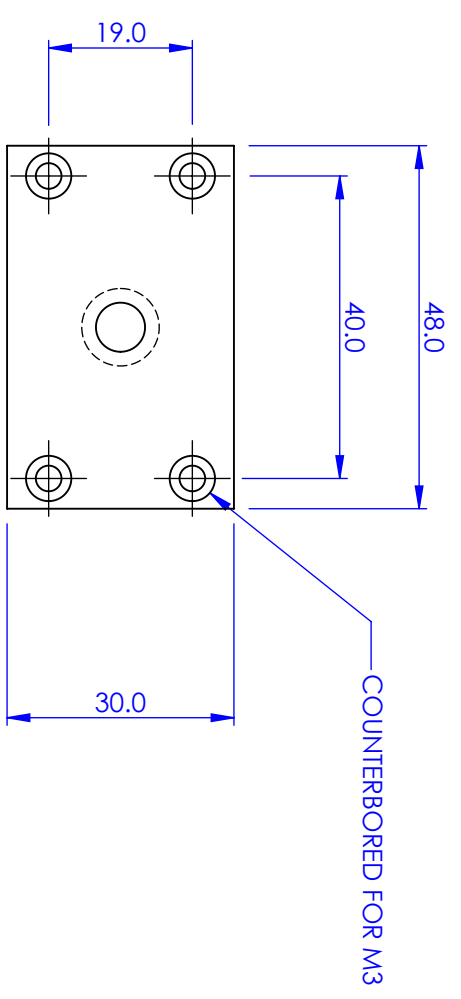
MDE155 Adaptor Plate: M6 Post Holder to Elliot Gold™ Flexure Stage



ELLIOT | MARTOCK

Adaptor plate that clamps to Elliot Gold™ series flexure stages. Enables M6 table post holders to fit XYZ flexure top. All accessories are compatible with the Elliot Gold™ series flexure stages.

REVISIONS		DATE	APPROVED
REV.	DESCRIPTION		



PROPRIETARY AND CONFIDENTIAL
COPYRIGHT ELIOT SCIENTIFIC LTD.
 THE INFORMATION CONTAINED IN THIS DRAWING IS THE SOLE PROPERTY OF ELIOT SCIENTIFIC LTD. REPRODUCTION IN PART OR AS A WHOLE WITHOUT WRITTEN PERMISSION IS PROHIBITED.

DIMENSIONS ARE IN mm
 GENERAL TOLERANCES: ± 0.1
 ANGULAR TOLERANCES: ±
 SURFACE FINISH:
 ALL BURRS, SHARP EDGES
 AND CORNERS TO BE
 REMOVED

AUTHOR	NAME	DATE
CHECKED	GW	12/07/2010

MATERIAL		TITLE	
ALUM ALLOY		ADAPTER PLATE	
FINISH	SIZE	DWG. NO.	
ANODISED BLACK	A4	MDE155	
DO NOT SCALE DRAWING		SCALE: 1:1	THIRD ANGLE PROJECTION
		SHEET 1 OF 1	



Elliot Gold™ Series: Platforms & Mounts

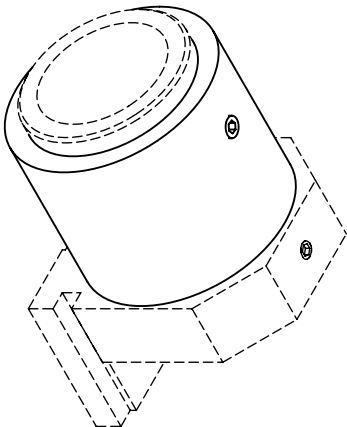
MDE156 Extension Tube



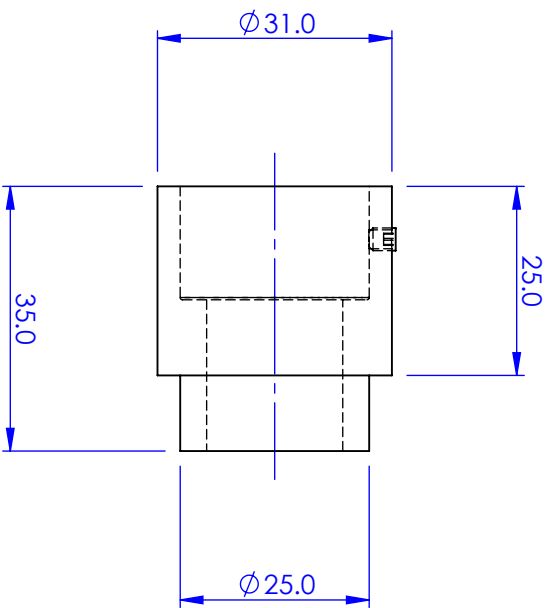
Extension tube for use on MDE150 Objective/Ball Lens mount and MDE151 Plain Mount. Extends reach by 25 mm allowing access to components on wide platforms.

All accessories are compatible with the Elliot Gold™ series flexure stages. The optical axis height is 18 mm above the platform surface and on the centre line of the location slot. Where necessary, a locating tongue forms part of the accessory. A standard clamp system is used and is supplied with the flexure stages and accessory platforms. The clamp set (MDE154) is available separately if required.

REVISIONS		DATE	APPROVED
REV.	DESCRIPTION		



GENERAL VIEW
SCALE: 1:1
(SHOWN WITH MDE150)



PROPRIETARY AND CONFIDENTIAL
COPYRIGHT ELLIOT SCIENTIFIC LTD.
THE INFORMATION CONTAINED IN THIS DRAWING IS THE SOLE PROPERTY OF ELLIOT SCIENTIFIC LTD. REPRODUCTION IN PART OR AS A WHOLE WITHOUT WRITTEN PERMISSION IS PROHIBITED.

DIMENSIONS ARE IN mm
GENERAL TOLERANCES: ± 0.1
ANGULAR TOLERANCES: ±
SURFACE FINISH:
ALL BURRS, SHARP EDGES
AND CORNERS TO BE
REMOVED

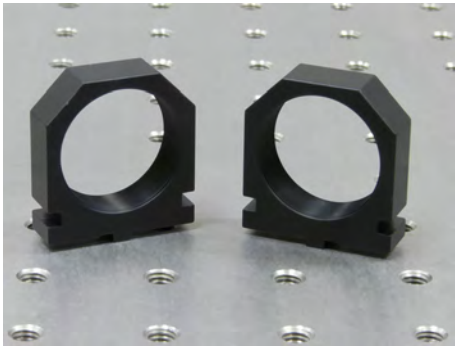
AUTHOR	NAME	DATE
CHECKED	GW	12/02/2010

MATERIAL		TITLE	
ALUM ALLOY		EXTENSION TUBE	
FINISH	SIZE	DWG. NO.	
ANODISED BLACK	A4	MDE156	
DO NOT SCALE DRAWING	SCALE: 1:1	THIRD ANGLE PROJECTION	SHEET 1 OF 1



Elliot Gold™ Series: Platforms & Mounts

MDE157 Threaded Optic Mount. SM1 Series 1.035"-40 Thread

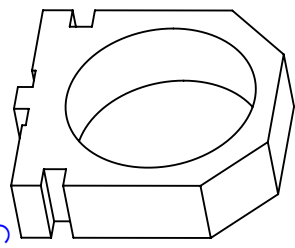


- Designed to interface with Thorlabs SM1 series lens tubes and accessories. This mount has a 1.035"-40 thread.

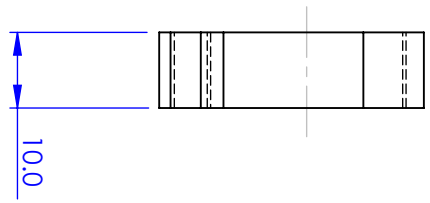
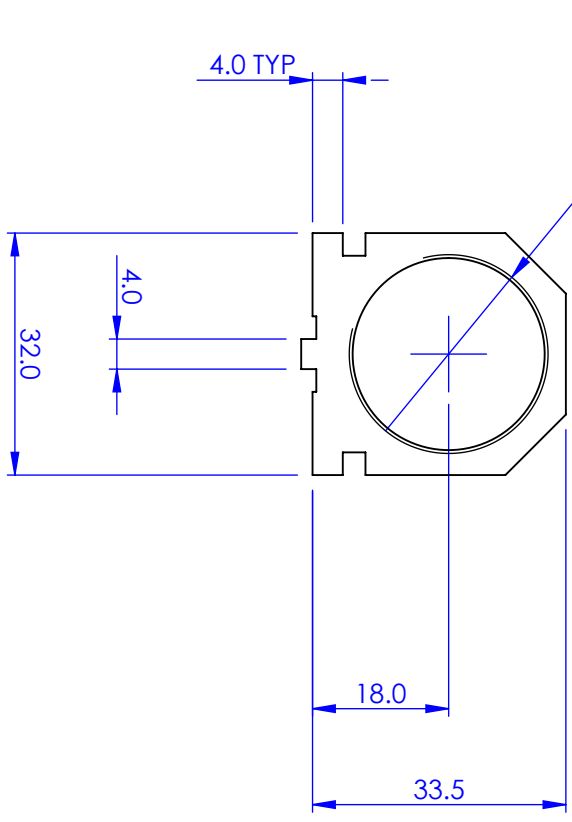
ELLIOT | MARTOCK

All accessories are compatible with the Elliot Gold™ series flexure stages. The optical axis height is 18 mm above the platform surface and on the centre line of the location slot. Where necessary a locating tongue forms part of the accessory. A standard clamp system is used and is supplied with the flexure stages and accessory platforms. The clamp set (MDE154) is available separately if required.

REVISIONS		DATE	APPROVED
REV.	DESCRIPTION		



GENERAL VIEW
SCALE: 1:1



PROPRIETARY AND CONFIDENTIAL
COPYRIGHT ELIOT SCIENTIFIC LTD.
 THE INFORMATION CONTAINED IN THIS DRAWING IS THE SOLE PROPERTY OF ELIOT SCIENTIFIC LTD. REPRODUCTION IN PART OR AS A WHOLE WITHOUT WRITTEN PERMISSION IS PROHIBITED.

DIMENSIONS ARE IN mm
 GENERAL TOLERANCES: ± 0.1
 ANGULAR TOLERANCES: ±
 SURFACE FINISH:
 ALL BURRS, SHARP EDGES
 AND CORNERS TO BE
 REMOVED

AUTHOR	NAME	DATE
CHECKED	GW	24/03/2006

Eliot Scientific

TITLE
THREADED MOUNT

FINISH
 ANODISED BLACK

MATERIAL
 ALUM ALLOY

SIZE
A4

DWG. NO.
MDE157

DO NOT SCALE DRAWING

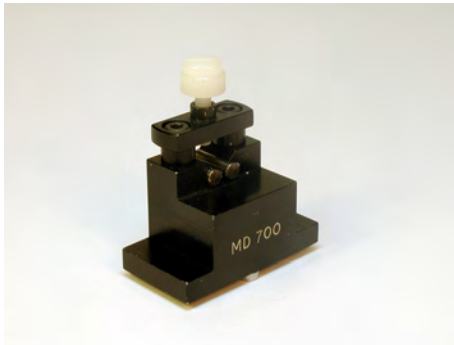
SCALE: 1:1

THIRD ANGLE PROJECTION

SHEET 1 OF 1

Elliot Gold™ Series: Fibre Holders

MDE700 2 ~ 4.5 mm diameter Ferrule Holder

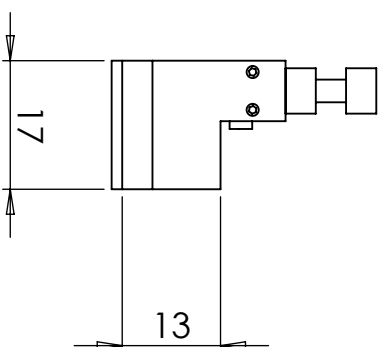
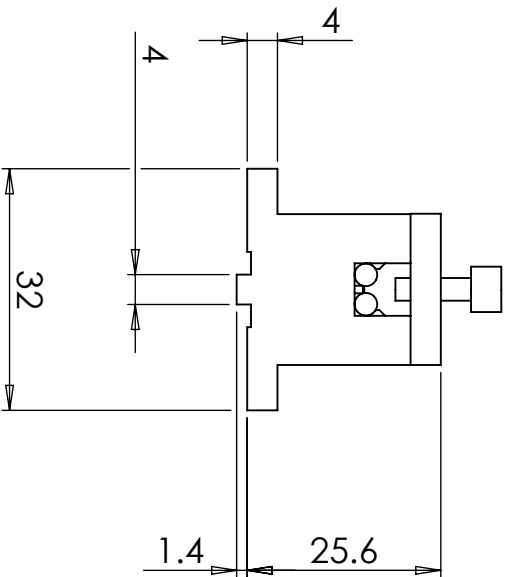
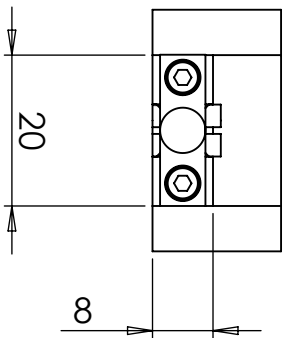


ELLIOT | MARTOCK

- Can also be used to hold GRIN lenses
- V-groove formed by two 9 mm stainless steel rods
- Nylon clamp screw avoids damage to component being held
- Holds optical fibre terminated with a cylindrical ferrule
- Fibre held in user-replaceable V-groove by spring clamps

All accessories are compatible with the Elliot Gold™ Series flexure stages. The optical axis height is 18 mm above the platform surface and on the centre line of the location slot. Where necessary a locating tongue forms part of the accessory. A standard clamp system is used and is supplied with the flexure stages and accessory platforms. The clamp set (MDE154) is available separately if required.

REVISIONS		DATE	APPROVED
REV.	DESCRIPTION		



MDE700
(FERRULES \varnothing 2.0mm TO \varnothing 4.5mm)

PROPRIETARY AND CONFIDENTIAL
COPYRIGHT ELIOT SCIENTIFIC LTD.
 THE INFORMATION CONTAINED IN THIS DRAWING IS THE SOLE PROPERTY OF ELIOT SCIENTIFIC LTD. REPRODUCTION IN PART OR AS A WHOLE WITHOUT WRITTEN PERMISSION IS PROHIBITED.

DIMENSIONS ARE IN mm
 GENERAL TOLERANCES: \pm 0.1
 ANGULAR TOLERANCES: \pm
 SURFACE FINISH:
 ALL BURRS, SHARP EDGES
 AND CORNERS TO BE
 REMOVED

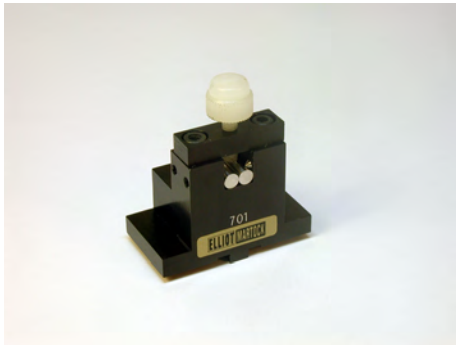
AUTHOR	NAME	DATE
CHECKED	GW	09/08/2010
MATERIAL		
FINISH		

		TITLE	SCALE: 1:1	THIRD ANGLE PROJECTION	SHEET 1 OF 1
SIZE	DWG. NO.	FERRULE HOLDER			
A4	MDE700				

DO NOT SCALE DRAWING

Elliot Gold™ Series: Fibre Holders

MDE701 1 ~ 2 mm diameter Ferrule Holder

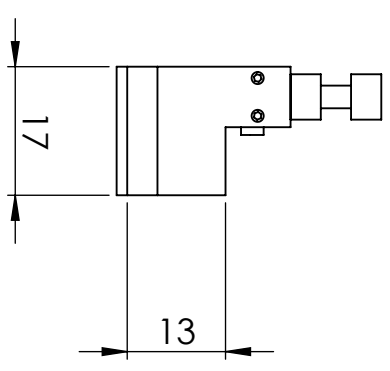
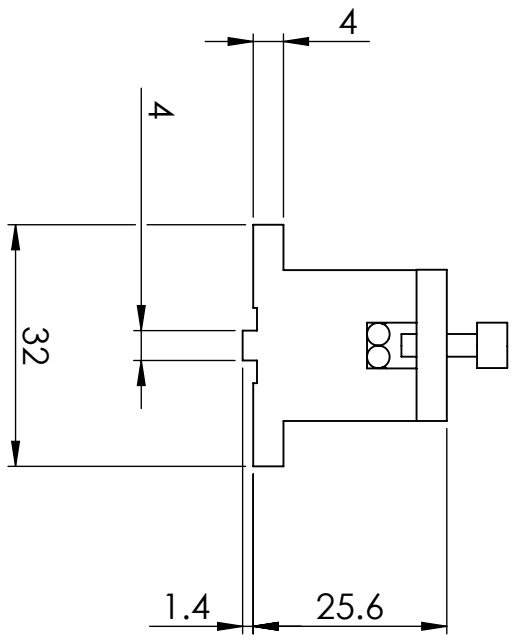
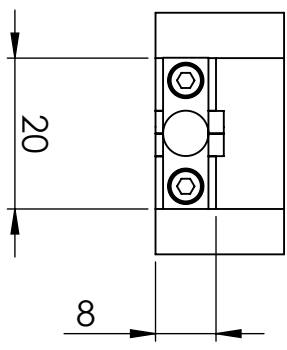


- Can also be used to hold GRIN lenses
- V-groove formed by two 9 mm stainless steel rods
- Nylon clamp screw avoids damage to component being held
- Holds optical fibre terminated with a cylindrical ferrule
- Fibre held in user-replaceable V-groove by spring clamps



All accessories are compatible with the Elliot Gold™ Series flexure stages. The optical axis height is 18 mm above the platform surface and on the centre line of the location slot. Where necessary a locating tongue forms part of the accessory. A standard clamp system is used and is supplied with the flexure stages and accessory platforms. The clamp set (MDE154) is available separately if required.

REVISIONS		DATE	APPROVED
REV.	DESCRIPTION		



MDE701
(FERRULES ϕ 1.0mm TO ϕ 2.0mm)

PROPRIETARY AND CONFIDENTIAL
COPYRIGHT ELIOT SCIENTIFIC LTD.
 THE INFORMATION CONTAINED IN THIS DRAWING IS THE SOLE PROPERTY OF ELIOT SCIENTIFIC LTD. REPRODUCTION IN PART OR AS A WHOLE WITHOUT WRITTEN PERMISSION IS PROHIBITED.

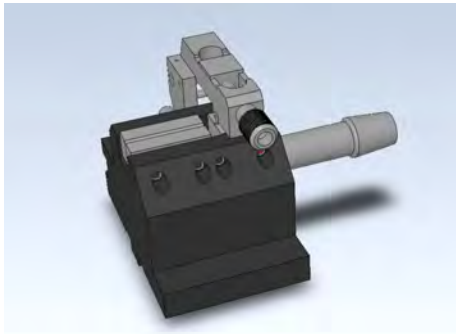
DIMENSIONS ARE IN mm
 GENERAL TOLERANCES: \pm 0.1
 ANGULAR TOLERANCES: \pm
 SURFACE FINISH:
 ALL BURRS, SHARP EDGES
 AND CORNERS TO BE
 REMOVED

AUTHOR	NAME	DATE
CHECKED	GW	09/08/2010
MATERIAL		
FINISH		

TITLE	FERRULE HOLDER
SIZE	A4
DWG. NO.	MDE701
SCALE: 1:1	THIRD ANGLE PROJECTION
DO NOT SCALE DRAWING	
SHEET 1 OF 1	

Elliot Gold™ Series: Fibre Holders

MDE705 Fibre Holder (Vacuum & Mechanical)



- Very easy to use
- Very low forces on fibre
- Clamp force adjustable from 25 to 125 g
- Vacuum V-groove can be dismantled for cleaning
- Holds 125/250 µm fibre with a jacket up to 1 mm diameter
- Clamp arm swings clear of V-groove for easy loading of fibre
- Vacuum is applied through a fine slot for even clamping of fibre

The MDE705 Fibre Holder is designed to cradle 125/250 µm fibre with a jacket up to 1 mm diameter. The unit utilises a slotted vacuum V-groove that holds the 125/250 µm bare fibre evenly, together with a clamp arm that grips the fibre jacket. The clamp force of the arm can be adjusted to relieve the pull of the trailing cable. These features combine to produce very low forces on the fibre.

The fibre holder is designed to complement the Elliot Gold™ series XYZ flexure stages, but can also be mounted on a conventional 25 mm pitch optical table using adaptor plate MDE860, or M4 post using the same adaptor.

A comprehensive range of fibre holders using vacuum, magnet or spring-loaded clamps is available. User replaceable V-grooves enable the user to work with different fibre sizes economically. Custom grooves are our speciality.

All accessories are compatible with the Elliot Gold™ series flexure stages. The optical axis height is 18 mm above the platform surface and on the centre line of the location slot. Where necessary a locating tongue forms part of the accessory.

A standard clamp system is used and is supplied with the flexure stages and accessory platforms. The clamp set (MDE154) is available separately if required.

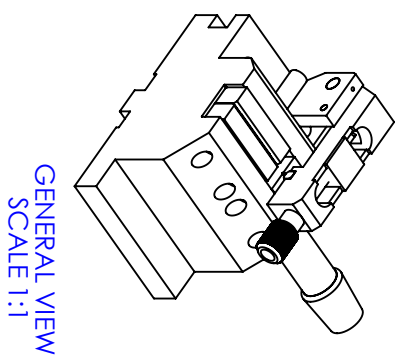
Specifications

Configuration	Vacuum V cladding and clamp arm for jacket
Fibre size	125/250 µm fibre with up to 1 mm jacket
Vacuum V-groove	Double V-groove to suit 125/250 µm fibre
Vacuum slot length	7.5 mm for even clamping of the fibre
Vacuum connection	4 mm bore pipe or M5 port
Fibre Clamp	Single clamp arm with adjustable force
Clamp force	Adjustable from 25 to 125 g
Optical Axis	94 mm when mounted on an Elliot Gold™ series XYZ flexure stage

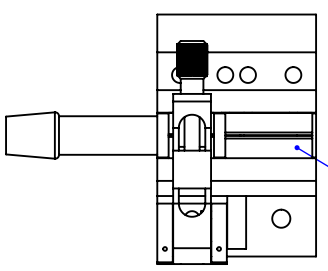
Options

Custom sized V-grooves

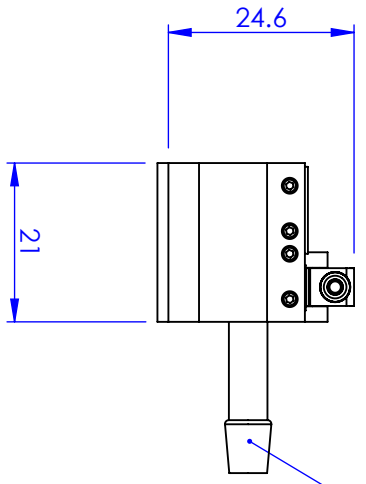
REVISIONS		DATE	APPROVED
REV.	DESCRIPTION		



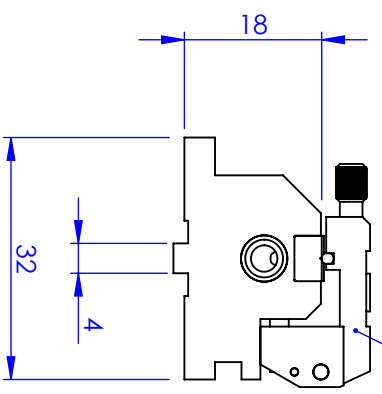
GENERAL VIEW
SCALE 1:1



VACUUM 'V' GROOVE



VACUUM PIPE



CLAMP ARM

PROPRIETARY AND CONFIDENTIAL
COPRIRIGHT ELIOT SCIENTIFIC LTD.
 THE INFORMATION CONTAINED IN THIS DRAWING IS THE SOLE PROPERTY OF ELIOT SCIENTIFIC LTD. REPRODUCTION IN PART OR AS A WHOLE WITHOUT WRITTEN PERMISSION IS PROHIBITED.

DIMENSIONS ARE IN mm
 GENERAL TOLERANCES: ± 0.1
 ANGULAR TOLERANCES: ±
 SURFACE FINISH:
 ALL BURRS, SHARP EDGES
 AND CORNERS TO BE
 REMOVED

AUTHOR	NAME	DATE
CHECKED	GW	09/08/2010
MATERIAL		
FINISH		

Eliot Scientific

TITLE
VACUUM AND ARM FIBRE CLAMP

SIZE **A4** DWG. NO. **MDE705**

DO NOT SCALE DRAWING SCALE: 1:1 THIRD ANGLE PROJECTION SHEET 1 OF 1

Elliot Gold™ Series: Fibre Holders

MDE709 Bare Fibre Holder (Mechanical)



- Very easy to use
- Clamp force adjustable from 25 to 125 g
- Contact point on fibre is a resilient pad
- Holds 125/250 µm fibre (other sizes to order)
- Clamp arm swings clear of V-groove for easy loading of fibre



The MDE709 Fibre Holder features a double V-groove and single clamp arm to hold 125 µm fibre. The clamp arm swings clear of the V-groove, and the clamp forces can be adjusted from 25 to 125 g, making the unit very easy to use. The single clamp arm holds the 125 µm stripped section of fibre.

The fibre holder is designed to complement the Elliot Gold™ series XYZ flexure stages, but can also be mounted on a conventional 25 mm pitch optical table using adaptor plate MDE860 or M4 post using the same adaptor.

A comprehensive range of fibre holders using vacuum, magnet or spring-loaded clamps is available. User replaceable V-grooves enable the user to work with different fibre sizes economically. Custom grooves are our speciality.

All accessories are compatible with the Elliot Gold™ series flexure stages. The optical axis height is 18 mm above the platform surface and on the centre line of the location slot. Where necessary a locating tongue forms part of the accessory.

A standard clamp system is used and is supplied with the flexure stages and accessory platforms. The clamp set (MDE154) is available separately if required.

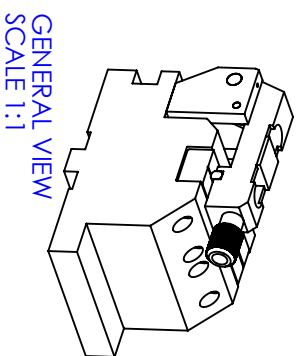
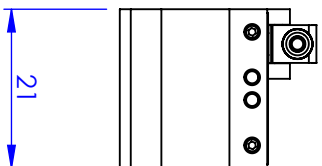
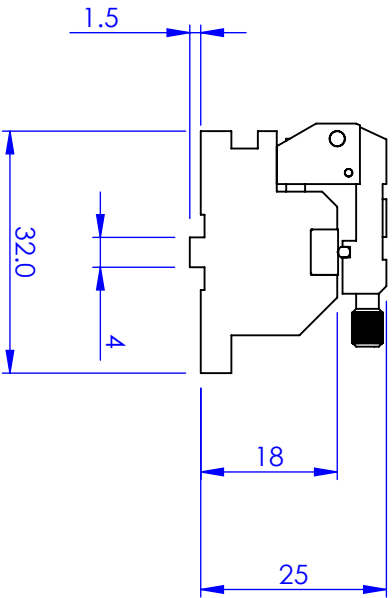
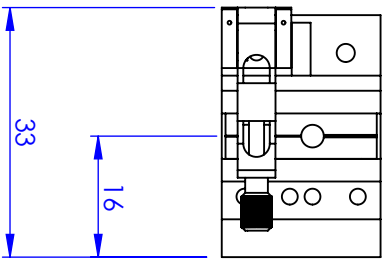
Specifications

Configuration	Double V-groove single clamp arm
Fibre size	125/250 µm fibre (other sizes to order)
Fibre clamp	Single clamp arm with adjustable force
Clamp force	Adjustable from 25 to 125 g
Optical Axis	94 mm when mounted on an Elliot Gold™ series XYZ flexure stage

Options

Custom sized V-grooves

REVISIONS		DATE	APPROVED
REV.	DESCRIPTION		



GENERAL VIEW
SCALE 1:1

PROPRIETARY AND CONFIDENTIAL
COPYRIGHT ELIOT SCIENTIFIC LTD.
 THE INFORMATION CONTAINED IN THIS DRAWING IS THE SOLE PROPERTY OF ELIOT SCIENTIFIC LTD. REPRODUCTION IN PART OR AS A WHOLE WITHOUT WRITTEN PERMISSION IS PROHIBITED.

DIMENSIONS ARE IN mm
 GENERAL TOLERANCES: ± 0.1
 ANGULAR TOLERANCES: ±
 SURFACE FINISH:
 ALL BURRS, SHARP EDGES
 AND CORNERS TO BE
 REMOVED

AUTHOR	NAME	DATE	TITLE	
CHECKED	GW	04/09/2007	SINGLE ARM FIBRE HOLDER	
MATERIAL			SIZE	DWG. NO.
			A4	MDE709
FINISH			SCALE: 1:1	THIRD ANGLE PROJECTION
				SHEET 1 OF 1
DO NOT SCALE DRAWING				



Elliot Gold™ Series: Fibre Holders

MDE710 Jacketed Fibre Holder (Mechanical)



- Very easy to use
- Clamp force adjustable from 25 to 125 g
- Contact point on fibre is a resilient pad
- 125/250 µm fibre with a jacket up to 1 mm diameter
- Clamp arm swings clear of V-groove for easy loading of fibre

The MDE710 Fibre Holder features a double V-groove and clamp arms to hold 125/250 µm fibre with a jacket up to 1 mm diameter. The clamp arms swing clear of the V-groove, and the clamp forces can be adjusted from 25 to 125 g, making the unit very easy to use.

The fibre holder is designed to complement the Elliot Gold™ series XYZ flexure stages, but can also be mounted on a conventional 25 mm pitch optical table using adaptor plate MDE860 or M4 post using the same adaptor.

A comprehensive range of fibre holders using vacuum, magnet or spring-loaded clamps is available. User replaceable V-grooves enable the user to work with different fibre sizes economically. Custom grooves are our speciality.

All accessories are compatible with the Elliot Gold™ series flexure stages. The optical axis height is 18 mm above the platform surface and on the centre line of the location slot. Where necessary a locating tongue forms part of the accessory.

A standard clamp system is used and is supplied with the flexure stages and accessory platforms. The clamp set (MDE154) is available separately if required.

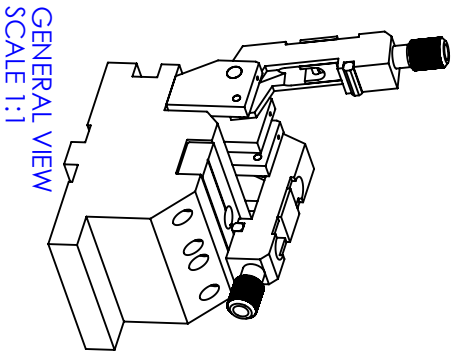
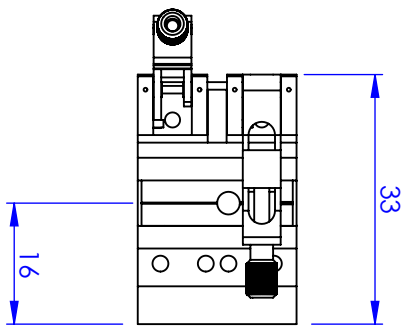
Specifications

Configuration	Double V-groove and clamp arms for cladding and jacket
Fibre size	125/250 µm fibre with up to 1 mm jacket
Fibre clamp	Double clamp arms with adjustable force
Clamp force	Adjustable from 25 to 125 g
Optical Axis	94 mm when mounted on an Elliot Gold™ series XYZ flexure stage

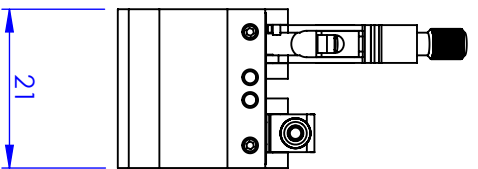
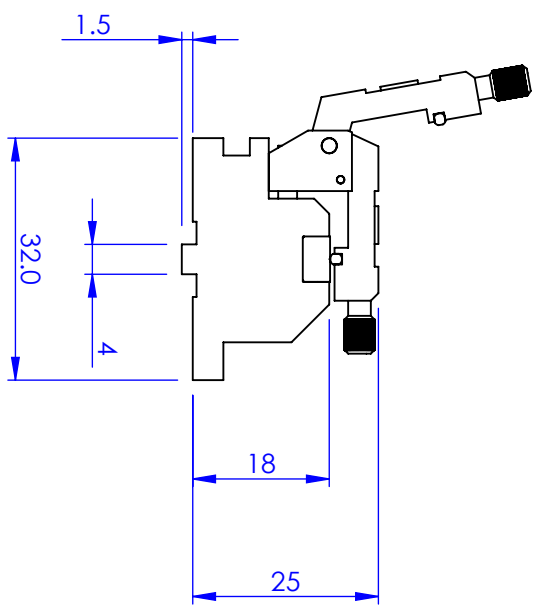
Options

- MDE860 Adaptor
- V-groove custom sizes available
- Clamp set (MDE154)

REVISIONS		DATE	APPROVED
REV.	DESCRIPTION		



GENERAL VIEW
SCALE 1:1



PROPRIETARY AND CONFIDENTIAL
COPYRIGHT ELIOT SCIENTIFIC LTD.
 THE INFORMATION CONTAINED IN THIS DRAWING IS THE SOLE PROPERTY OF ELIOT SCIENTIFIC LTD. REPRODUCTION IN PART OR AS A WHOLE WITHOUT WRITTEN PERMISSION IS PROHIBITED.

DIMENSIONS ARE IN mm
 GENERAL TOLERANCES: ± 0.1
 ANGULAR TOLERANCES: ±
 SURFACE FINISH:
 ALL BURRS, SHARP EDGES
 AND CORNERS TO BE
 REMOVED

NAME	DATE
AUTHOR GW	09/08/2010
CHECKED	

Eliot Scientific	
TITLE DOUBLE 'V' FIBRE HOLDER	
SIZE A4	DWG. NO. MDE710
DO NOT SCALE DRAWING	THIRD ANGLE PROJECTION
SCALE: 1:1	SHEET 1 OF 1

Elliot Gold™ Series: Fibre Holders

MDE711 Fibre Holder



- Simple economical design
- Single fixed size V-groove for 250 µm fibre

The MDE711 is an economical fibre holder with a machined 250 µm V-groove and magnetic clamp arm for less critical applications. The fibre holder is designed to complement the Elliot Gold™ series XYZ flexure stages, but can also be mounted on a conventional 25 mm pitch optical table using adaptor plate MDE860 or M4 post using the same adaptor.

A comprehensive range of fibre holders using vacuum, magnet or spring-loaded clamps is available. User replaceable V-grooves enable the user to work with different fibre sizes economically. Custom grooves are our speciality.

All accessories are compatible with the Elliot Gold™ series flexure stages. The optical axis height is 18 mm above the platform surface and on the centre line of the location slot. Where necessary a locating tongue forms part of the accessory.

A standard clamp system is used and is supplied with the flexure stages and accessory platforms. The clamp set (MDE154) is available separately if required.

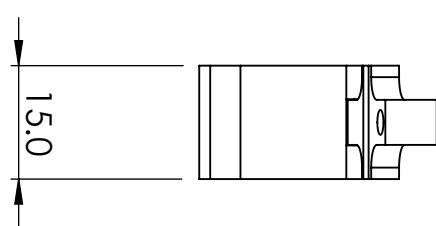
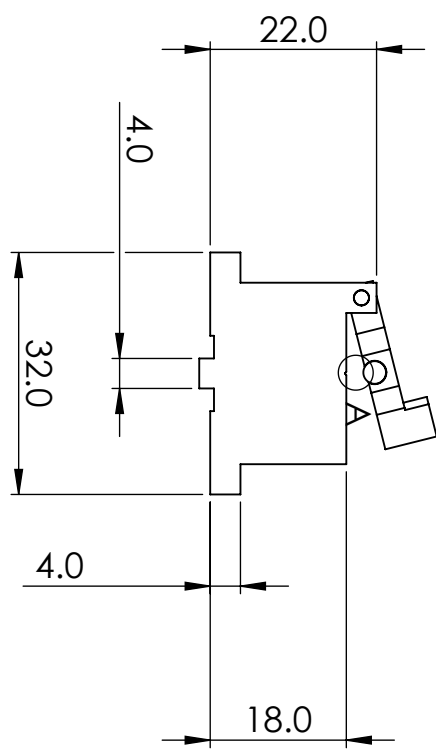
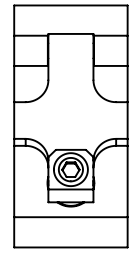
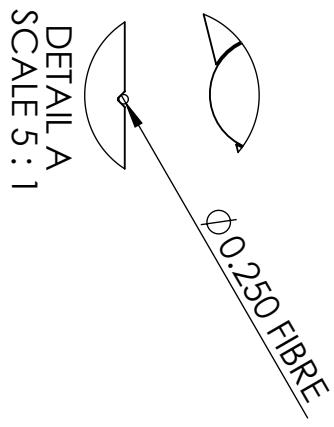
Specifications

Configuration	Single machined V-groove and magnetic clamp arm
Fibre size	250 µm
Fibre clamp	Single magnetic clamp arm
Optical Axis	94 mm when mounted on an Elliot Gold™ series XYZ flexure stage

Options

Custom sized V-grooves

REVISIONS		DATE	APPROVED
REV.	DESCRIPTION		



MDE711

PROPRIETARY AND CONFIDENTIAL
COPYRIGHT ELIOT SCIENTIFIC LTD.
 THE INFORMATION CONTAINED IN THIS DRAWING IS THE SOLE PROPERTY OF ELIOT SCIENTIFIC LTD. REPRODUCTION IN PART OR AS A WHOLE WITHOUT WRITTEN PERMISSION IS PROHIBITED.

DIMENSIONS ARE IN mm
 GENERAL TOLERANCES: ± 0.1
 ANGULAR TOLERANCES: ±
 SURFACE FINISH:
 ALL BURRS, SHARP EDGES
 AND CORNERS TO BE
 REMOVED

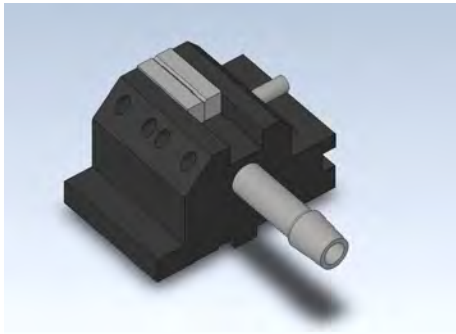
AUTHOR	NAME	DATE
CHECKED		09/08/2010
MATERIAL		
FINISH		

TITLE	
FIBRE HOLDER	
SIZE	DWG. NO.
A4	MDE711
SCALE: 1:1	THIRD ANGLE PROJECTION
SHEET 1 OF 1	

DO NOT SCALE DRAWING

Elliot Gold™ Series: Fibre Holders

MDE715 Fibre Holder (Vacuum)



- Very easy to use
- Very low forces on fibre
- Vacuum V-groove can be dismantled for cleaning
- Holds 125 to 400 µm bare fibre
- Vacuum is applied through a fine slot for even clamping of fibre

The MDE715 Fibre Holder is designed to cradle bare fibre ranging from 125 to 400 µm diameter. The unit utilises a slotted vacuum V-groove that holds the fibre evenly and with very low force.

The fibre holder is designed to complement the Elliot Gold™ series XYZ flexure stages, but can also be mounted on a conventional 25 mm pitch optical table using adaptor plate MDE860, or M4 post using the same adaptor.

A comprehensive range of fibre holders using vacuum, magnet or spring-loaded clamps is available. User replaceable V-grooves enable the user to work with different fibre sizes economically. Custom grooves are our speciality.

All accessories are compatible with the Elliot Gold™ series flexure stages. The optical axis height is 18 mm above the platform surface and on the centre line of the location slot. Where necessary a locating tongue forms part of the accessory.

A standard clamp system is used and is supplied with the flexure stages and accessory platforms. The clamp set (MDE154) is available separately if required.

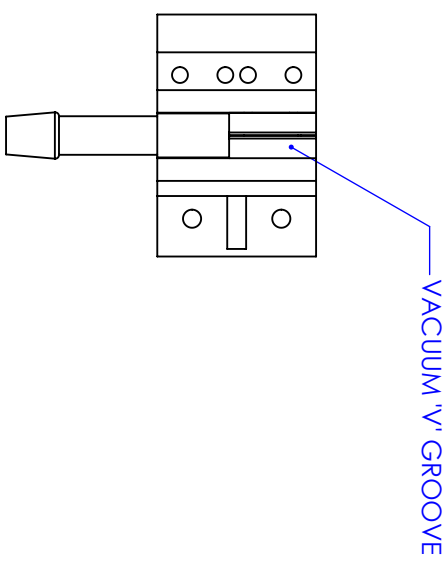
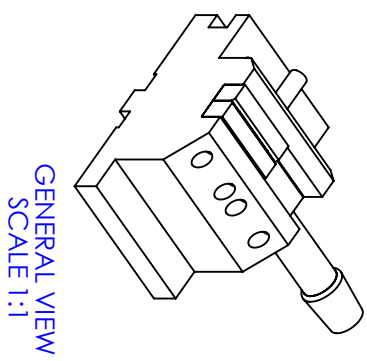
Specifications

Configuration	Vacuum V for cladding only
Fibre size	125 to 400 µm diameter bare fibre
V-groove	Vacuum V-groove
Vacuum slot length	7.5 mm for even clamping of the fibre
Vacuum connection	4 mm bore pipe or M5 port
Optical Axis	94 mm when mounted on an Elliot Gold™ series XYZ flexure stage

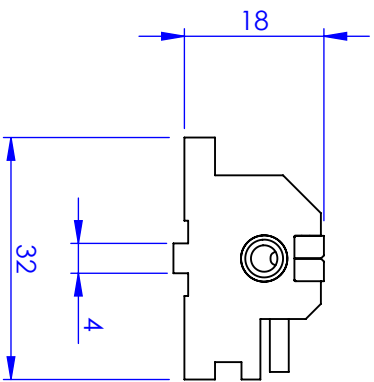
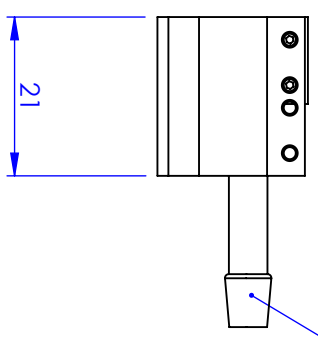
Options

- MDE860 Adaptor
- V-groove custom sizes available
- Clamp set (MDE154)

REVISIONS		DATE	APPROVED
REV.	DESCRIPTION		



VACUUM PIPE



PROPRIETARY AND CONFIDENTIAL
COPRIGHT ELLIOT SCIENTIFIC LTD.
 THE INFORMATION CONTAINED IN THIS DRAWING IS THE SOLE PROPERTY OF ELLIOT SCIENTIFIC LTD. REPRODUCTION IN PART OR AS A WHOLE WITHOUT WRITTEN PERMISSION IS PROHIBITED.

DIMENSIONS ARE IN mm
 GENERAL TOLERANCES: ± 0.1
 ANGULAR TOLERANCES: ±
 SURFACE FINISH:
 ALL BURRS, SHARP EDGES
 AND CORNERS TO BE
 REMOVED

AUTHOR	NAME	DATE
CHECKED	GW	10/09/2010
MATERIAL		
FINISH		

Elliott Scientific

TITLE
VACUUM FIBRE CLAMP

SIZE **A4** DWG. NO. **MDE715**

DO NOT SCALE DRAWING SCALE: 1:1 THIRD ANGLE PROJECTION SHEET 1 OF 1

Elliot Gold™ Series: Fibre Holders

MDE724 Fibre Holder (Mechanical) for Melles Griot/Thorlabs Flexure Stages



- Very easy to use
- Clamp force adjustable from 25 to 125 g
- Contact point on fibre is a resilient pad
- Fits Melles Griot and Thorlabs flexure stages
- 125/250 µm fibre with a jacket up to 1 mm diameter
- Clamp arm swings clear of V-groove for easy loading of fibre



The MDE724 Fibre Holder is designed to fit the Melles Griot/Thorlabs flexure stages and features a double V-groove and clamp arms to hold 125/250 µm fibre with a jacket up to 1 mm diameter. The clamp arms swing clear of the V-groove, and the clamp forces can be adjusted from 25 to 125 g, making the unit very easy to use.

A comprehensive range of fibre holders using vacuum, magnet or spring-loaded clamps is available. User replaceable V-grooves enable the user to work with different fibre sizes economically. Custom grooves are our speciality.

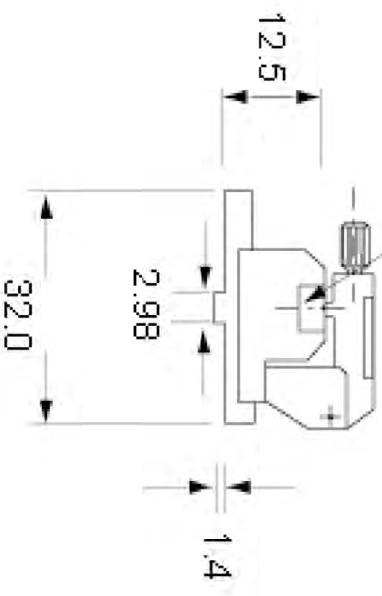
Specifications

Configuration	Double V-groove and clamp arms for cladding and jacket
Fibre size	125/250 µm fibre with up to 1 mm jacket
Fibre clamp	Double clamp arms with adjustable force
Clamp force	Adjustable from 25 to 125 g
Optical Axis	12.5 mm centre height
Mount	Location tongue 3mm wide on base Fits Melles Griot/Thorlabs flexure stages

Options

Custom sized V-grooves

Fitted with MDE720
mm/mm V-groove



Elliot Gold™ Series: Fibre Holders

MDE725 Fibre to Fibre Alignment V-Block with Clamps



- Includes V-block clamps
- Can be used with index matching gel to minimise coupling loss
- Quick and easy mechanical coupling of two bare fibres without splicing



The MDE725 is designed to allow two bare fibres to be coupled quickly and easily without the need for splicing in applications such as OTDR testing. Typical losses are 0.8 dB (0.3 dB best).

Each fibre is initially gripped in the outer thumb-loaded clamps. The left hand clamp moves smoothly along the X-axis moving the fibre along the V-groove into contact with the fixed fibre. This movement can be clamped if required. Index matching gel can be used in the V-groove to improve the coupling efficiency. Once aligned, the two central V-block fibre clamps can be used to hold the fibre ends firmly in the V-groove while a measurement is made.

Specifications

Configuration Fibre to fibre alignment V-block with twin thumb loaded clamps and dual V-block clamps
 Fibre size Continuous V-groove for 125 µm fibre

Options

V-grooves to suit fibres in the range 125 to 400 µm
 Custom configurations to couple two different size fibres
 MDE725A with thumb loaded clamps only

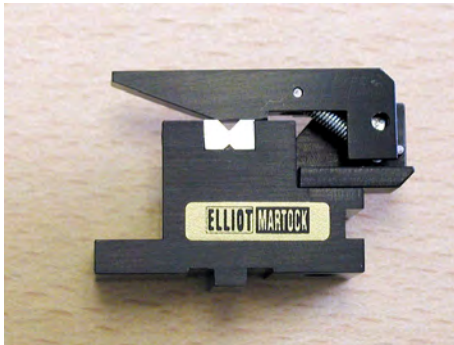
Note

Ordering information: Please state fibre diameter 'nnn' in µm (MDE725-nnn)



Elliot Gold™ Series: Fibre Holders

MDE734 Grin Lens Holder

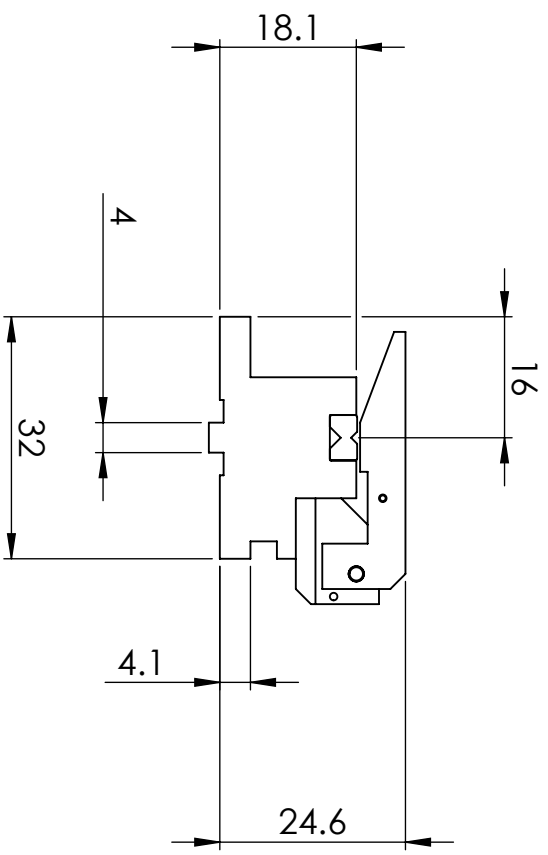
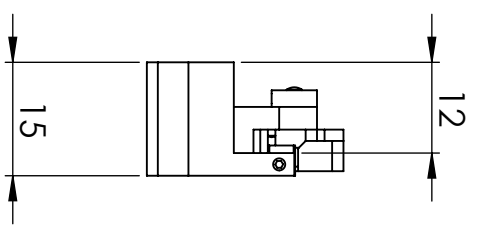
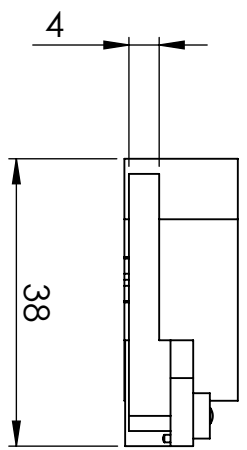


ELLIOT MARTOCK

- Optical axis height 18 mm
- Reversible V-block 4 mm long
- To hold GRIN lenses of diameter 1 - 2 mm & 2 - 3 mm

All accessories are compatible with the Elliot Gold™ series flexure stages. The optical axis height is 18 mm above the platform surface and on the centre line of the location slot. Where necessary a locating tongue forms part of the accessory. A standard clamp system is used and is supplied with the flexure stages and accessory platforms. The clamp set (MDE154) is available separately if required.

REVISIONS		DATE	APPROVED
REV.	DESCRIPTION		



MDE734

PROPRIETARY AND CONFIDENTIAL
COPYRIGHT ELIOT SCIENTIFIC LTD.
 THE INFORMATION CONTAINED IN THIS DRAWING IS THE SOLE PROPERTY OF ELIOT SCIENTIFIC LTD. REPRODUCTION IN PART OR AS A WHOLE WITHOUT WRITTEN PERMISSION IS PROHIBITED.

DIMENSIONS ARE IN mm
 GENERAL TOLERANCES: ± 0.1
 ANGULAR TOLERANCES: ±
 SURFACE FINISH:
 ALL BURRS, SHARP EDGES
 AND CORNERS TO BE
 REMOVED

AUTHOR	NAME	DATE
CHECKED	GW	10/08/2010
MATERIAL		
FINISH		

TITLE	
GRIN LENS HOLDER	
SIZE	DWG. NO.
A4	MDE734
SCALE: 1:1	THIRD ANGLE PROJECTION
SHEET 1 OF 1	

DO NOT SCALE DRAWING

Elliot Gold™ Series: Fibre Holders

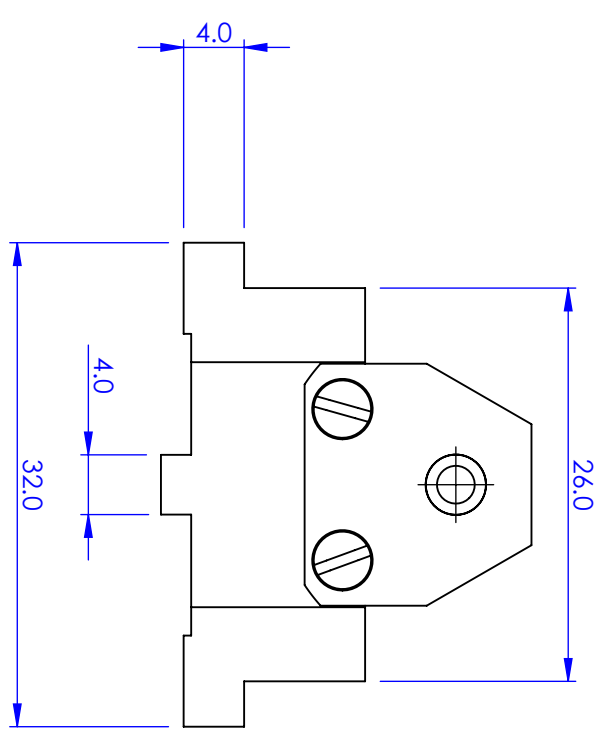
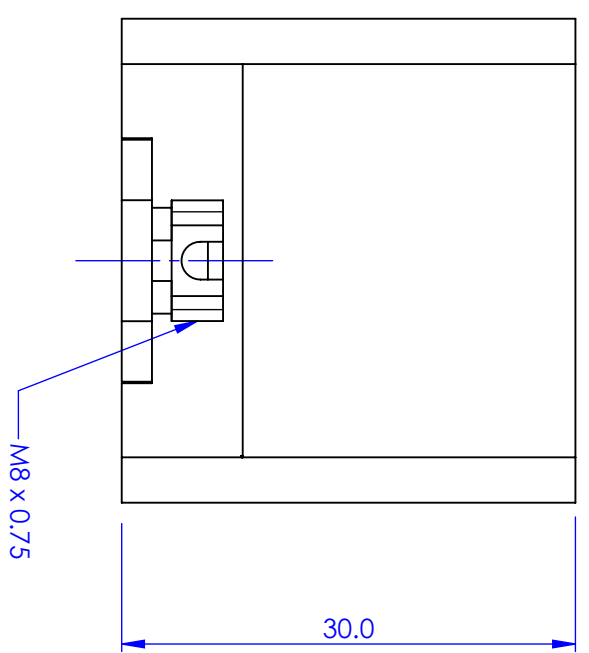
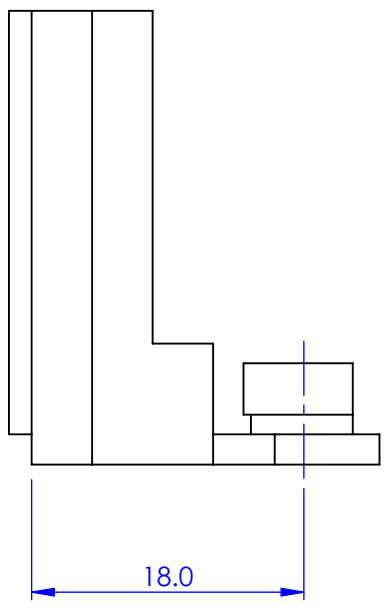
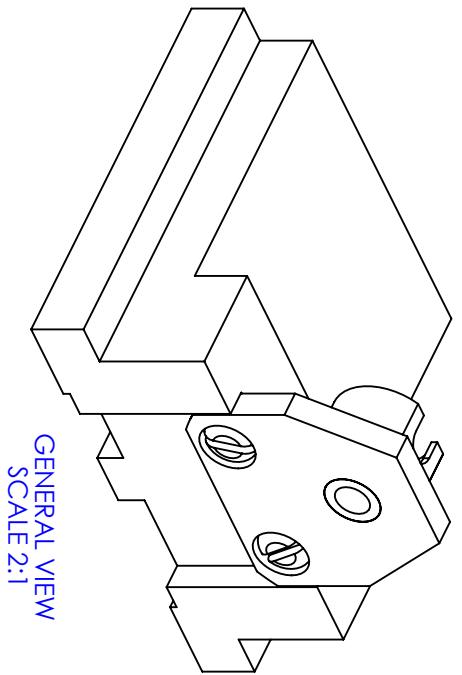
MDE735 Connectorised Fibre Holder FC/PC



All accessories are compatible with the Elliot Gold™ series flexure stages. The optical axis height is 18 mm above the platform surface and on the centre line of the location slot. Where necessary a locating tongue forms part of the accessory. A standard clamp system is used and is supplied with the flexure stages and accessory platforms.

The clamp set (MDE154) is available separately if required.

REVISIONS		DATE	APPROVED
REV.	DESCRIPTION		



PROPRIETARY AND CONFIDENTIAL
COPYRIGHT ELIOT SCIENTIFIC LTD.
 THE INFORMATION CONTAINED IN THIS DRAWING IS THE SOLE PROPERTY OF ELIOT SCIENTIFIC LTD. REPRODUCTION IN PART OR AS A WHOLE WITHOUT WRITTEN PERMISSION IS PROHIBITED.

DIMENSIONS ARE IN mm
 GENERAL TOLERANCES: ± 0.1
 ANGULAR TOLERANCES: ±
 SURFACE FINISH:
 ALL BURRS, SHARP EDGES
 AND CORNERS TO BE
 REMOVED

NAME	DATE
AUTHOR GW	10/09/2010
CHECKED	

Eliot Scientific

TITLE
CONNECTOR MOUNT FC/PC

SIZE
A4

DWG. NO.
MDEF35

DO NOT SCALE DRAWING

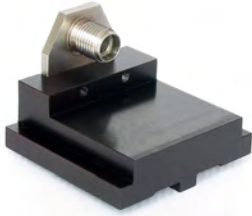
SCALE: 2:1

THIRD ANGLE PROJECTION

SHEET 1 OF 1

Elliot Gold™ Series: Fibre Holders

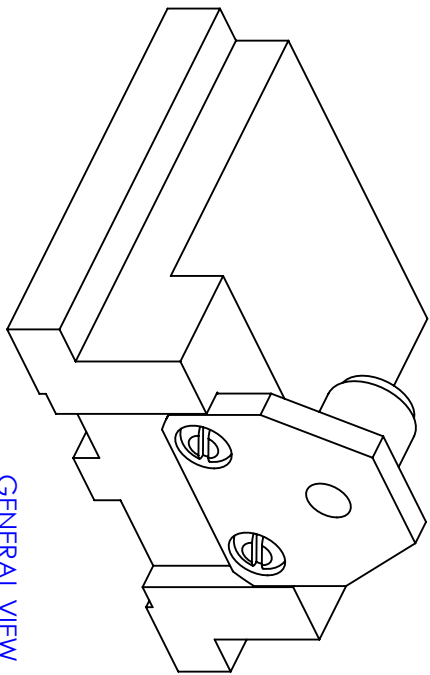
MDE736 Connectorised Fibre Holder SMA



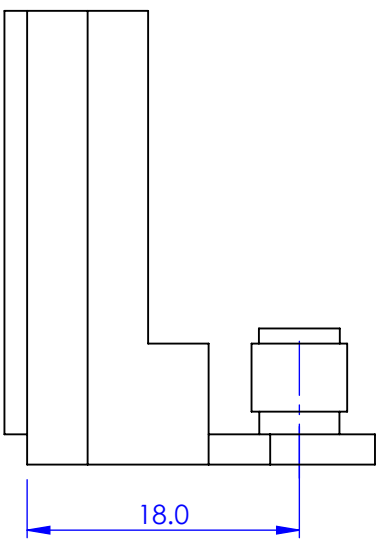
ELLIOT | MARTOCK

All accessories are compatible with the Elliot Gold™ series flexure stages. The optical axis height is 18 mm above the platform surface and on the centre line of the location slot. Where necessary a locating tongue forms part of the accessory. A standard clamp system is used and is supplied with the flexure stages and accessory platforms.

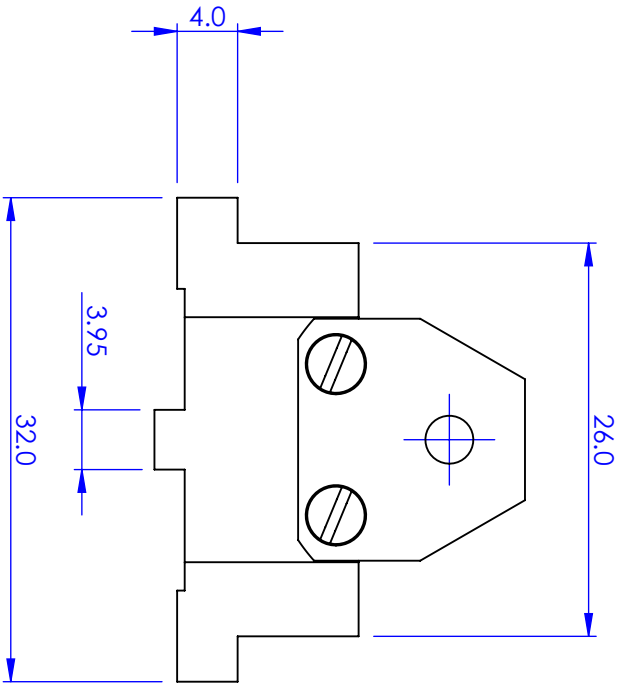
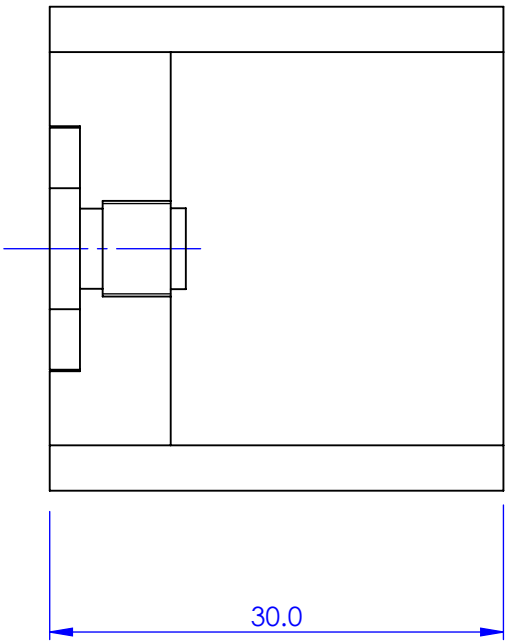
The clamp set (MDE154) is available separately if required.



GENERAL VIEW
SCALE 2:1



REVISIONS		DATE	APPROVED
REV.	DESCRIPTION		



PROPRIETARY AND CONFIDENTIAL
COPYRIGHT ELIOT SCIENTIFIC LTD.
 THE INFORMATION CONTAINED IN THIS DRAWING IS THE SOLE PROPERTY OF ELIOT SCIENTIFIC LTD. REPRODUCTION IN PART OR AS A WHOLE WITHOUT WRITTEN PERMISSION IS PROHIBITED.

DIMENSIONS ARE IN mm
 GENERAL TOLERANCES: ± 0.1
 ANGULAR TOLERANCES: ±
 SURFACE FINISH:
 ALL BURRS, SHARP EDGES
 AND CORNERS TO BE
 REMOVED

NAME	DATE
AUTHOR GW	10/09/2010
CHECKED	

Eliot Scientific	
TITLE CONNECTOR MOUNT SMA	
SIZE A4	DWG. NO. MDEF36
DO NOT SCALE DRAWING	THIRD ANGLE PROJECTION
SCALE: 2:1	SHEET 1 OF 1

Elliot Gold™ Series: Fibre Holders

MDE737 Connectorised Fibre Holder ST

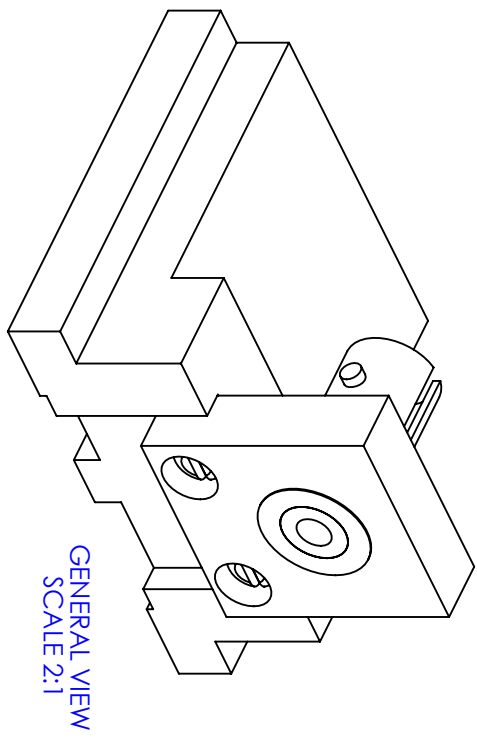


ELLIOT MARTOCK

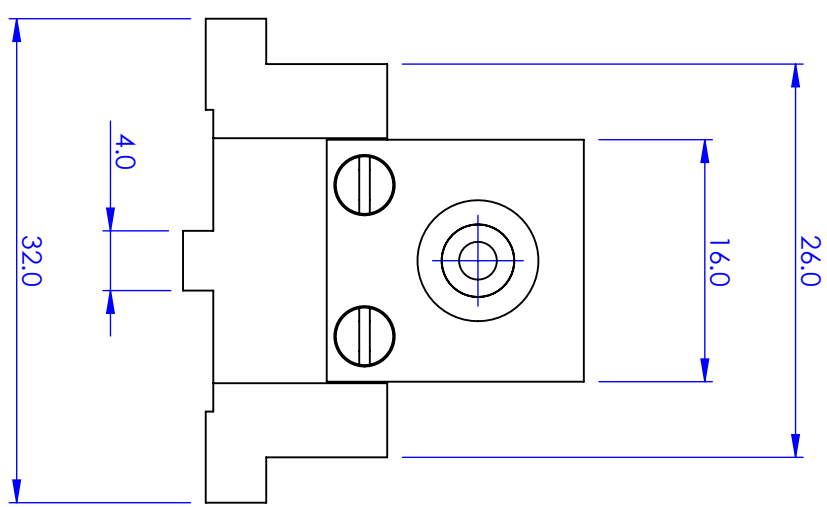
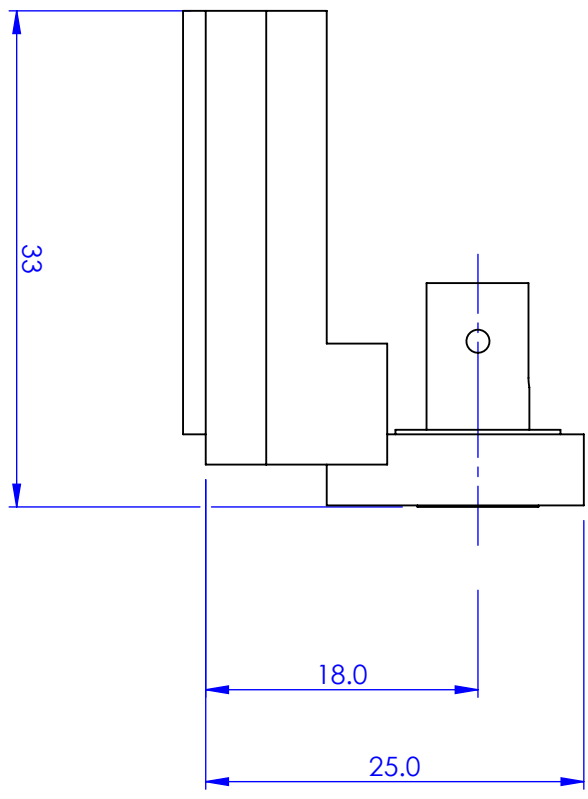
All accessories are compatible with the Elliot Gold™ series flexure stages. The optical axis height is 18 mm above the platform surface and on the centre line of the location slot. Where necessary a locating tongue forms part of the accessory. A standard clamp system is used and is supplied with the flexure stages and accessory platforms.

The clamp set (MDE154) is available separately if required.

REVISIONS		DATE	APPROVED
REV.	DESCRIPTION		



GENERAL VIEW
SCALE 2:1



PROPRIETARY AND CONFIDENTIAL
COPYRIGHT ELIOT SCIENTIFIC LTD.
 THE INFORMATION CONTAINED IN THIS DRAWING IS THE SOLE PROPERTY OF ELIOT SCIENTIFIC LTD. REPRODUCTION IN PART OR AS A WHOLE WITHOUT WRITTEN PERMISSION IS PROHIBITED.

DIMENSIONS ARE IN mm
 GENERAL TOLERANCES: ± 0.1
 ANGULAR TOLERANCES: ±
 SURFACE FINISH:
 ALL BURRS, SHARP EDGES
 AND CORNERS TO BE
 REMOVED

NAME	DATE
AUTHOR GW	10/09/2010
CHECKED	
MATERIAL	

Eliot Scientific

TITLE
CONNECTOR MOUNT

SIZE
A4

DWG. NO.
MDEF37

DO NOT SCALE DRAWING

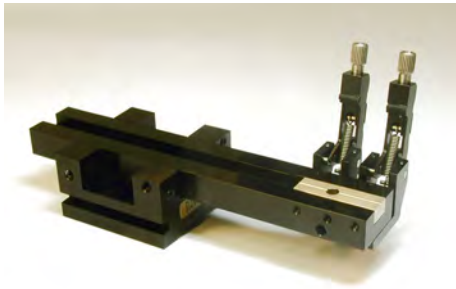
SCALE: 2:1

THIRD ANGLE PROJECTION

SHEET 1 OF 1

Elliot Gold™ Series: Fibre Holders

MDE750 Bare Fibre Holder (Mechanical), Long Reach



- Very easy to use
- Clamp force adjustable from 25 to 125 g
- Contact point on fibre is a resilient pad
- 125/250 µm fibre with a jacket up to 1 mm diameter
- Fibre held in user-replaceable V-groove by spring clamps
- Clamp arm swings clear of V-groove for easy loading of fibre



Long reach fibre holder for bare fibre. Fibre held in user-replaceable V-groove by spring clamps (as on MDE710). Includes Universal Base MDE752 which allows fibres to be located offset from central axis.

The MDE750 Fibre Holder features a double V-groove and clamp arms to hold 125/250 µm fibre with a jacket up to 1 mm diameter. The clamp arms swing clear of the V-groove, and the clamp forces can be adjusted from 25 to 125 g, making the unit very easy to use.

A comprehensive range of fibre holders using vacuum, magnet or spring-loaded clamps is available. User replaceable V-grooves enable the user to work with different fibre sizes economically. Custom grooves are our speciality.

All accessories are compatible with the Elliot Gold™ Series flexure stages. The optical axis height is 18 mm above the platform surface and on the centre line of the location slot. Where necessary a locating tongue forms part of the accessory.

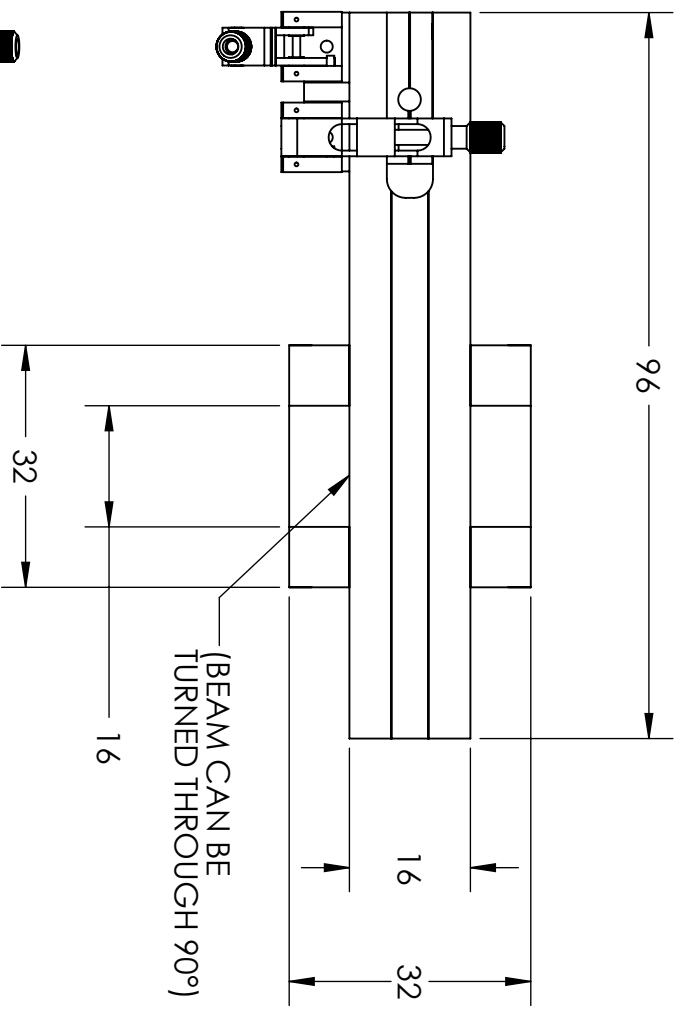
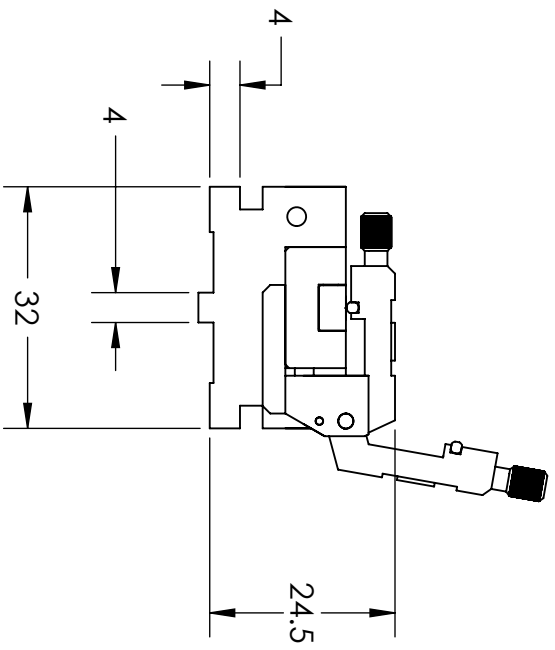
A standard clamp system is used and is supplied with the flexure stages and accessory platforms. The clamp set (MDE154) is available separately if required.

Specifications

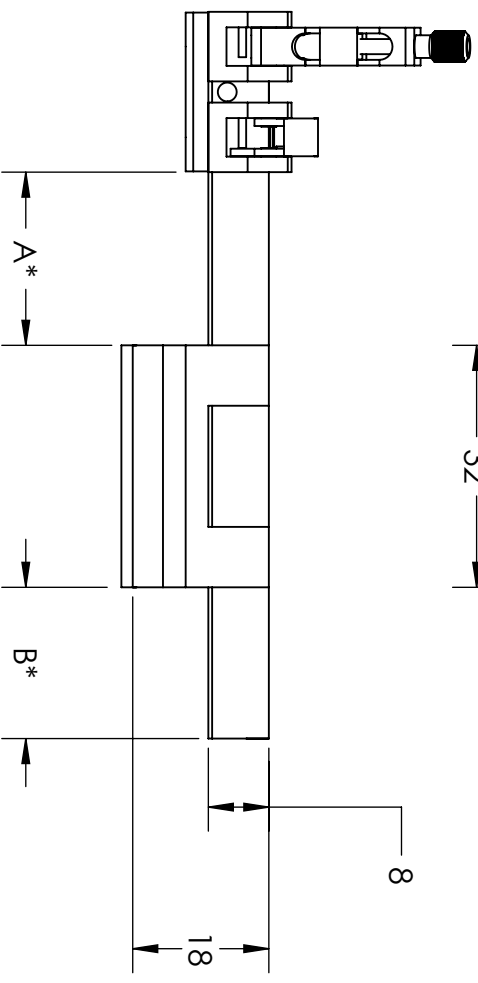
Configuration	Double V-groove and clamp arms for cladding and jacket
Fibre size	125/250 µm fibre with up to 1mm jacket
Fibre clamp	Double clamp arms with adjustable force
Clamp force	Adjustable from 25 to 125 g

Options

Universal Base MDE752 (included)



(BEAM CAN BE
TURNED THROUGH 90°)

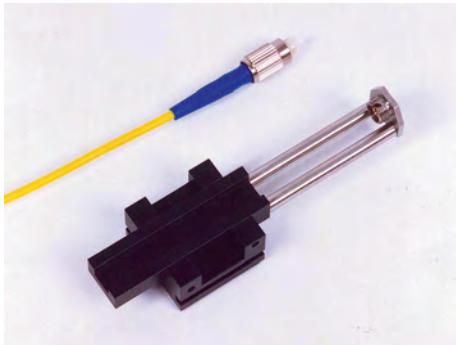


* ADJUSTABLE OVERHANG
 $A + B = 45\text{mm}$

MDE750

Elliot Gold™ Series: Fibre Holders

MDE751 FC/PC Connector Fibre Holder (Mechanical), Long Reach



- Very easy to use
- Holds standard FC/PC Patchcords
- Other connector types available
- Custom grooves available
- Fibre held in user-replaceable V-groove by spring clamps



Long reach fibre holder for FC/PC connectorised patchcords. Holds standard patchcords. Other connector types available on request. Includes Universal Base MDE752 which allows fibres to be located offset from central axis.

A comprehensive range of fibre holders using vacuum, magnet or spring-loaded clamps is available. User replaceable V-grooves enable the user to work with different fibre sizes economically. Custom grooves are our speciality.

All accessories are compatible with the Elliot Gold™ Series flexure stages. The optical axis height is 18 mm above the platform surface and on the centre line of the location slot. Where necessary a locating tongue forms part of the accessory. A standard clamp system is used and is supplied with the flexure stages and accessory platforms. The clamp set (MDE154) is available separately if required.

Specifications

Configuration	Long reach fibre holder for FC/PC Patchcords
Fibre size	125/250 µm fibre with up to 1mm jacket
Fibre clamp	Double clamp arms with adjustable force
Clamp force	Adjustable from 25 to 125 g

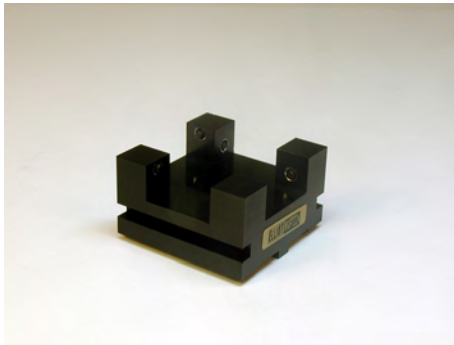
Options

- Universal Base MDE752 (included)
- Alternative connector versions
- Clamp set (MDE154)



Elliot Gold™ Series: Fibre Holders

MDE752 Universal Base



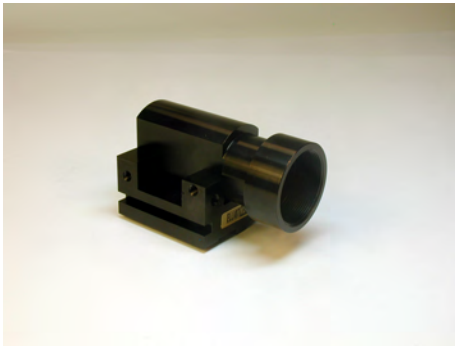
Universal base for holding components on top of flexure stages. Locates in either of the two orthogonal slots on flexure stage top plate for offset component mounting.

All accessories are compatible with the Elliot Gold™ series flexure stages. The optical axis height is 18 mm above the platform surface and on the centre line of the location slot. Where necessary a locating tongue forms part of the accessory. A standard clamp system is used and is supplied with the flexure stages and accessory platforms. The clamp set (MDE154) is available separately if required.



Elliot Gold™ Series: Fibre Holders

MDE753 Long Reach Microscope Objective Holder



- Facilitates offset mounting of objectives
- Ideal for DWDM component inspection



The Long Reach Microscope Objective Holder fits onto an MDE752 as shown, allowing the objective to be placed in positions offset to the optical axis. An internal RMS thread is machined for easy mounting of objectives. Recommended for DWDM component inspection.

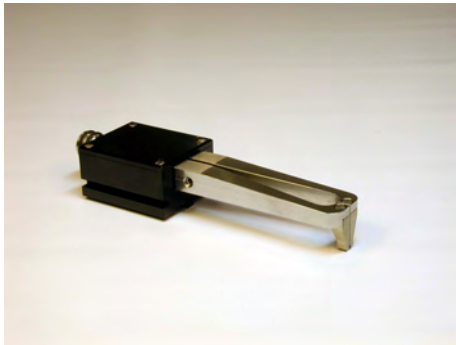
All accessories are compatible with the Elliot Gold™ series flexure stages. The optical axis height is 18 mm above the platform surface and on the centre line of the location slot. Where necessary a locating tongue forms part of the accessory.

A standard clamp system is used and is supplied with the flexure stages and accessory platforms. The clamp set (MDE154) is available separately if required.



Elliot Gold™ Series: Fibre Holders

E770 Fibre Gripper



- Compact design with rapid loading and unloading feature
- Repeatable gripping force
- Minimal gripped length to maximise package accessibility
- Integrates with Elliot Gold™ series flexure stages
- Gripping arms contoured to allow a clear view and/or tool access
- Extended reach for restricted access laser diode alignment tasks
- Interchangeable grips accommodate all sizes of fibre & ferrules
- Grips a wide range of fibre configurations from clad fibres to ferrules

The E770 Fibre Gripper is designed to fit on Elliot Gold™ series flexure stages for demanding fibre alignment tasks. Interchangeable grips accommodate a wide variety of fibre configurations ranging from clad fibres, to ferrules in excess of 3 mm diameter.

Specifications

Standard Grip Size	To fit 125 µm fibre
Max Jaw Opening	10 mm
Grip Length	3.5 mm

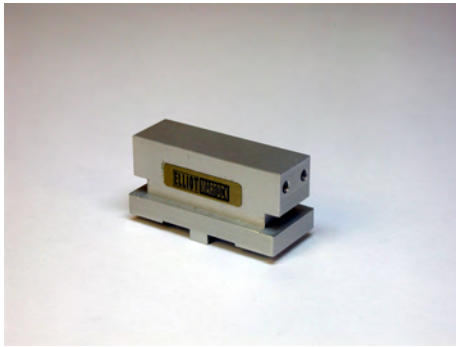
Options and Accessories

Fibre Grips (E781-nnnn, please specify fibre diameter)
 Ferrule Grips (E782-nnnn, please specify ferrule diameter)



Elliot Gold™ Series: Waveguide Holders

MDE741-10 Basic Waveguide/Device Holder - 10 x 15 mm



- 10 mm waveguide length
- 15 mm nominal height
- Adhesive or tape mounting



The MDE741 series is a basic waveguide/substrate mount for use with the central workstations MDE881 and MDE883, and for Elliot Gold™ series flexure stages. Also fits MDE147, MDE148 and MDE149 brackets. Affix device with tape or bond with adhesive.

Specifications

Length 10 mm
Height 15 mm

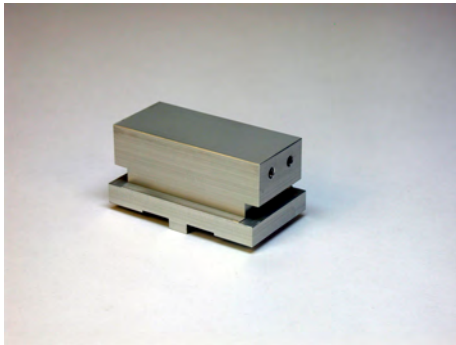
Options

Other waveguide lengths: 14 mm and 30 mm
Alternative mounting: vacuum or mechanical clamp
Also available manufactured in copper



Elliot Gold™ Series: Waveguide Holders

MDE741-14 Basic Waveguide/Device Holder - 14 x 15 mm



- 14 mm waveguide length
- 15 mm nominal height
- Adhesive or tape mounting

ELLIOT | MARTOCK

The MDE741 series is a basic waveguide/substrate mount for use with the central workstations MDE881 and MDE883, and for Elliot Gold™ series flexure stages. Also fits MDE147, MDE148 and MDE149 brackets. Affix device with tape or bond with adhesive.

Specifications

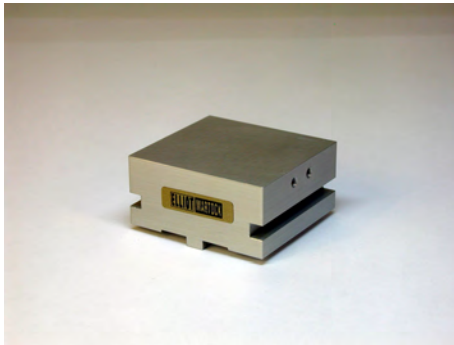
Length 14 mm
Height 15 mm

Options

Other waveguide lengths: 10 mm and 30 mm
Alternative mounting: vacuum or mechanical clamp
Also available manufactured in copper

Elliot Gold™ Series: Waveguide Holders

MDE741-30 Basic Waveguide/Device Holder - 30 x 15 mm



- 30 mm waveguide length
- 15 mm nominal height
- Adhesive or tape mounting



The MDE741 series is a basic waveguide/substrate mount for use with the central workstations MDE881 and MDE883, and for Elliot Gold™ series flexure stages. Also fits MDE147, MDE148 and MDE149 brackets. Affix device with tape or bond with adhesive.

Specifications

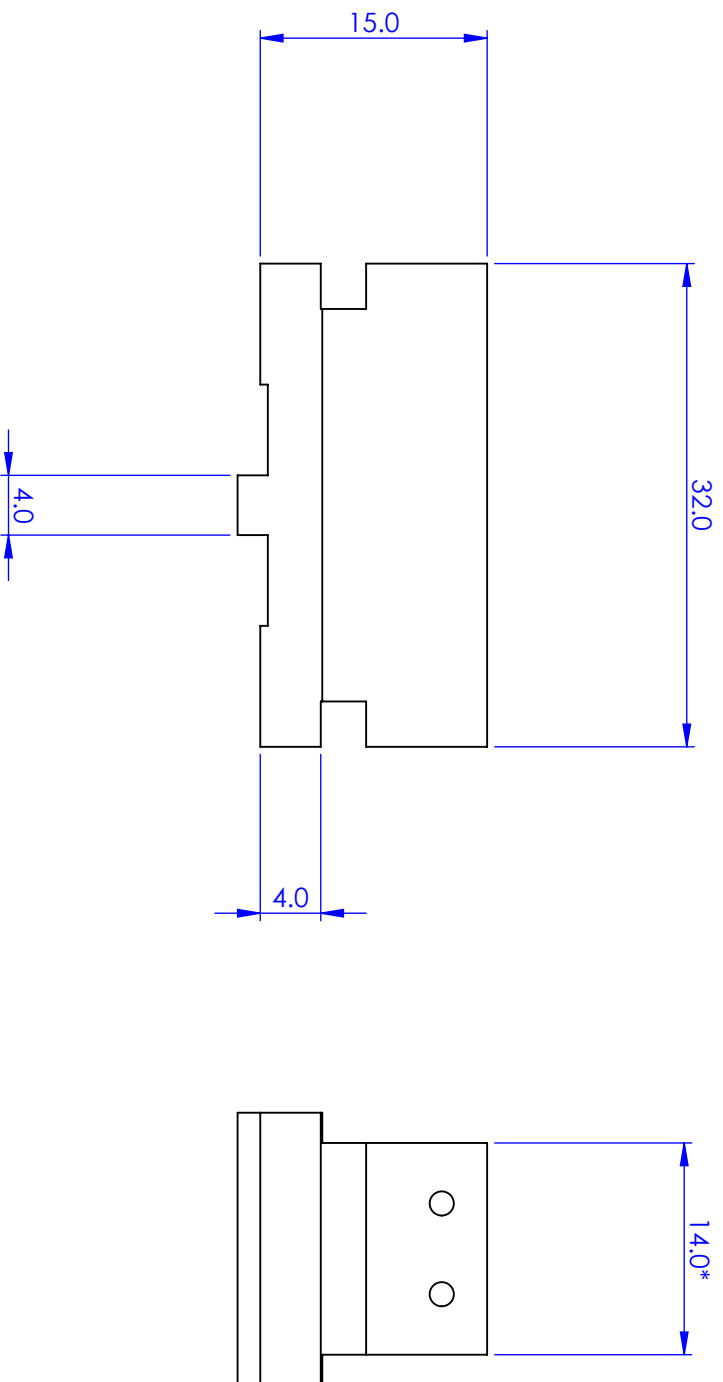
Length 30 mm
Height 15 mm

Options

Other waveguide lengths: 10 mm and 14 mm
Alternative mounting: vacuum or mechanical clamp
Also available manufactured in copper

REVISIONS		DATE	APPROVED
REV.	DESCRIPTION		

*STANDARD WIDTHS AVAILABLE
 ARE 10mm, 14mm AND 30mm.
 ORDER MDE741/10, MDE741/14 AND MDE741/30 RESPECTIVELY



PROPRIETARY AND CONFIDENTIAL
COPYRIGHT ELLIOT SCIENTIFIC LTD.
 THE INFORMATION CONTAINED IN THIS
 DRAWING IS THE SOLE PROPERTY OF
 ELLIOT SCIENTIFIC LTD. REPRODUCTION
 IN PART OR AS A WHOLE WITHOUT WRITTEN
 PERMISSION IS PROHIBITED.

DIMENSIONS ARE IN mm
 GENERAL TOLERANCES: ± 0.1
 ANGULAR TOLERANCES: ±
 SURFACE FINISH:
 ALL BURRS, SHARP EDGES
 AND CORNERS TO BE
 REMOVED

NAME	DATE
AUTHOR GW	10/09/2010
CHECKED	

Elliott Scientific

TITLE
WAVEGUIDE/SUBSTRATE MOUNT

SIZE
A4

DWG. NO.
MDE741

DO NOT SCALE DRAWING

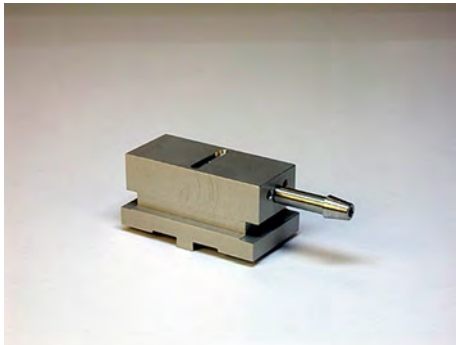
SCALE: 1

THIRD ANGLE PROJECTION

SHEET 1 OF 1

Elliot Gold™ Series: Waveguide Holders

MDE742-10 Vacuum Waveguide/Device Holder - 10 x 15 mm



- 10 mm waveguide length
- 15 mm nominal height
- Vacuum mounting
- Hold-down groove custom cut for application

ELLIOT | MARTOCK

The MDE742 series is a vacuum waveguide mount for central workstations MDE881 and MDE883, and for Elliot Gold™ series flexure stages. Also fits MDE147, MDE148 and MDE149 brackets. Vacuum hold-down groove cut to suit application.

Specifications

Length 10 mm
Height 15 mm

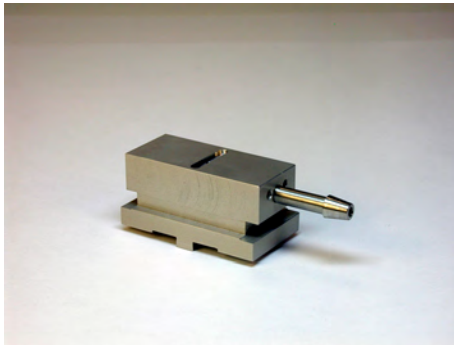
Options

Other waveguide lengths: 14 mm and 30 mm
Alternative mounting: adhesive/tape or mechanical clamp
Also available manufactured in copper



Elliot Gold™ Series: Waveguide Holders

MDE742-14 Vacuum Waveguide/Device Holder - 14 x 15 mm



- 14 mm waveguide length
- 15 mm nominal height
- Vacuum mounting
- Hold-down groove custom cut for application

ELLIOT | MARTOCK

The MDE742 series is a vacuum waveguide mount for central workstations MDE881 and MDE883, and for Elliot Gold™ series flexure stages. Also fits MDE147, MDE148 and MDE149 brackets. Vacuum hold-down groove cut to suit application.

Specifications

Length 14 mm
Height 15 mm

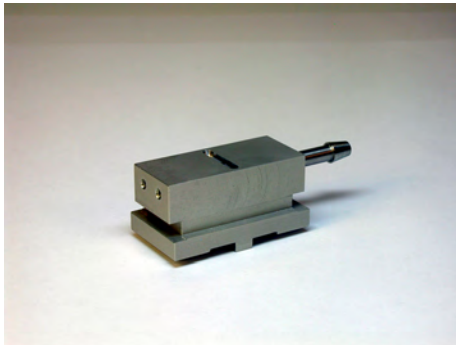
Options

Other waveguide lengths: 10 mm and 30 mm
Alternative mounting: adhesive/tape or mechanical clamp
Also available manufactured in copper



Elliot Gold™ Series: Waveguide Holders

MDE742-30 Vacuum Waveguide/Device Holder - 30 x 15 mm



- 30 mm waveguide length
- 15 mm nominal height
- Vacuum mounting
- Hold-down groove custom cut for application

ELLIOT | MARTOCK

The MDE742 series is a vacuum waveguide mount for central workstations MDE881 and MDE883, and for Elliot Gold™ series flexure stages. Also fits MDE147, MDE148 and MDE149 brackets. Vacuum hold-down groove cut to suit application.

Specifications

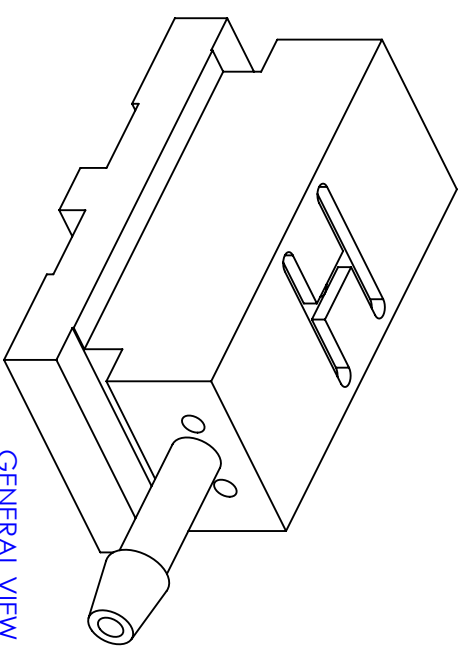
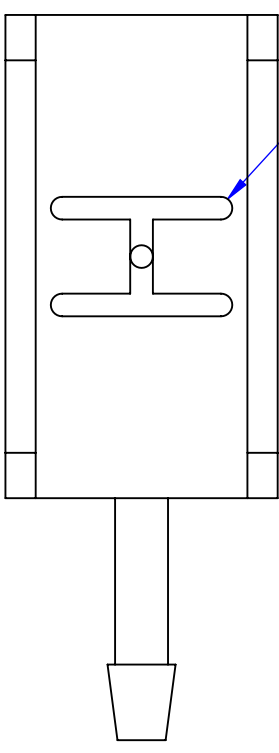
Length 30 mm
Height 15 mm

Options

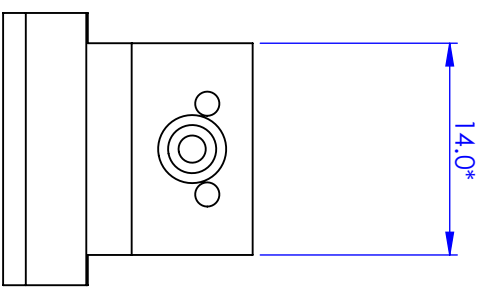
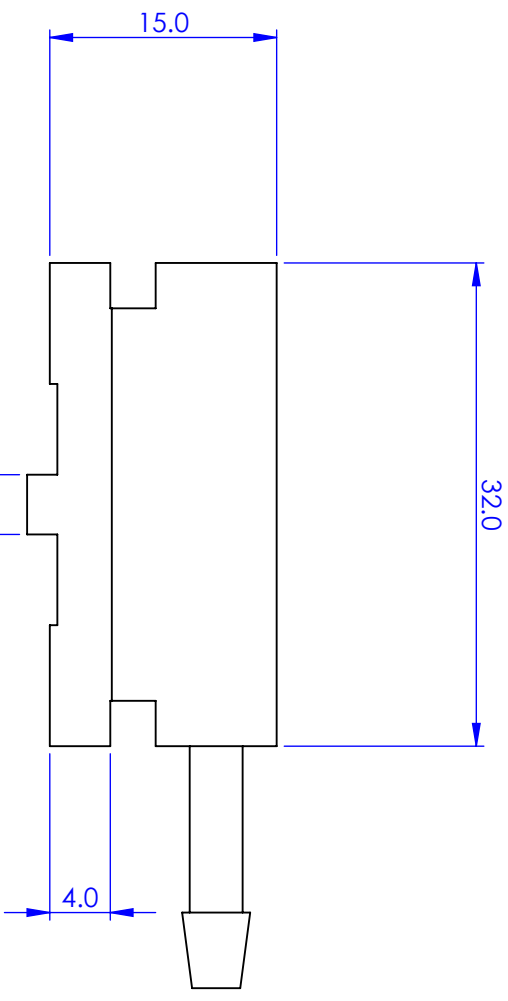
Other waveguide lengths: 10 mm and 14 mm
Alternative mounting: adhesive/tape or mechanical clamp
Also available manufactured in copper

REVISIONS		DATE	APPROVED
REV.	DESCRIPTION		

SHAPE AND SIZE OF VACUUM CUT-OUT CAN BE CUSTOMISED



GENERAL VIEW
SCALE 2:1



*STANDARD WIDTHS AVAILABLE ARE 10mm, 14mm AND 30mm.
ORDER MDE742/10, MDE742/14 AND MDE742/30 RESPECTIVELY



PROPRIETARY AND CONFIDENTIAL
COPYRIGHT ELLIOT SCIENTIFIC LTD.
THE INFORMATION CONTAINED IN THIS DRAWING IS THE SOLE PROPERTY OF ELLIOT SCIENTIFIC LTD. REPRODUCTION IN PART OR AS A WHOLE WITHOUT WRITTEN PERMISSION IS PROHIBITED.

DIMENSIONS ARE IN mm
GENERAL TOLERANCES: ± 0.1
ANGULAR TOLERANCES: ±
SURFACE FINISH:
ALL BURS, SHARP EDGES AND CORNERS TO BE REMOVED

NAME	DATE
AUTHOR GW	10/09/2010
CHECKED	

Elliott Scientific

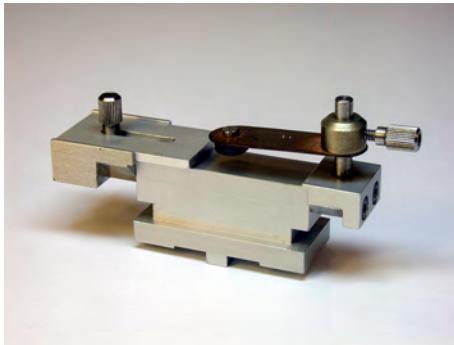
TITLE
VACUUM WAVEGUIDE MOUNT

SIZE **A4** DWG. NO. **MDE742**

DO NOT SCALE DRAWING SCALE: 1 THIRD ANGLE PROJECTION SHEET 1 OF 1

Elliot Gold™ Series: Waveguide Holders

MDE743-10 Mechanical Waveguide/Device Holder - 10 x 15 mm



- 10 mm waveguide length
- 15 mm nominal height
- Mechanical clamp mounting
- Adjustable end stop

ELLIOT | MARTOCK

The MDE743 series is a waveguide/substrate mount with mechanical clamp arm and adjustable end-stop for use with the central workstations MDE881 and MDE883, and for Elliot Gold™ series flexure stages. Also fits MDE147, MDE148 and MDE149 brackets.

Specifications

Length 10 mm
Height 15 mm

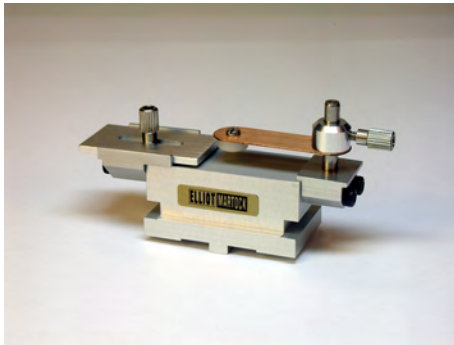
Options

Other waveguide lengths: 14 mm and 30 mm
Alternative mounting: adhesive/tape or vacuum
Also available manufactured in copper



Elliot Gold™ Series: Waveguide Holders

MDE743-14 Mechanical Waveguide/Device Holder - 14 x 15 mm



- 14 mm waveguide length
- 15 mm nominal height
- Mechanical clamp mounting
- Adjustable end stop

ELLIOT | MARTOCK

The MDE743 series is a waveguide/substrate mount with mechanical clamp arm and adjustable end-stop for use with the central workstations MDE881 and MDE883, and for Elliot Gold™ series flexure stages. Also fits MDE147, MDE148 and MDE149 brackets.

Specifications

Length 14 mm
Height 15 mm

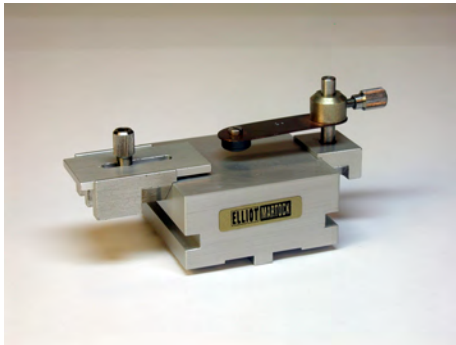
Options

Other waveguide lengths: 10 mm and 30 mm
Alternative mounting: adhesive/tape or vacuum
Also available manufactured in copper



Elliot Gold™ Series: Waveguide Holders

MDE743-30 Mechanical Waveguide/Device Holder - 30 x 15 mm



- 30 mm waveguide length
- 15 mm nominal height
- Mechanical clamp mounting
- Adjustable end stop

ELLIOT | MARTOCK

The MDE743 series is a waveguide/substrate mount with mechanical clamp arm and adjustable end-stop for use with the central workstations MDE881 and MDE883, and for Elliot Gold™ series flexure stages. Also fits MDE147, MDE148 and MDE149 brackets.

Specifications

Length 30 mm
Height 15 mm

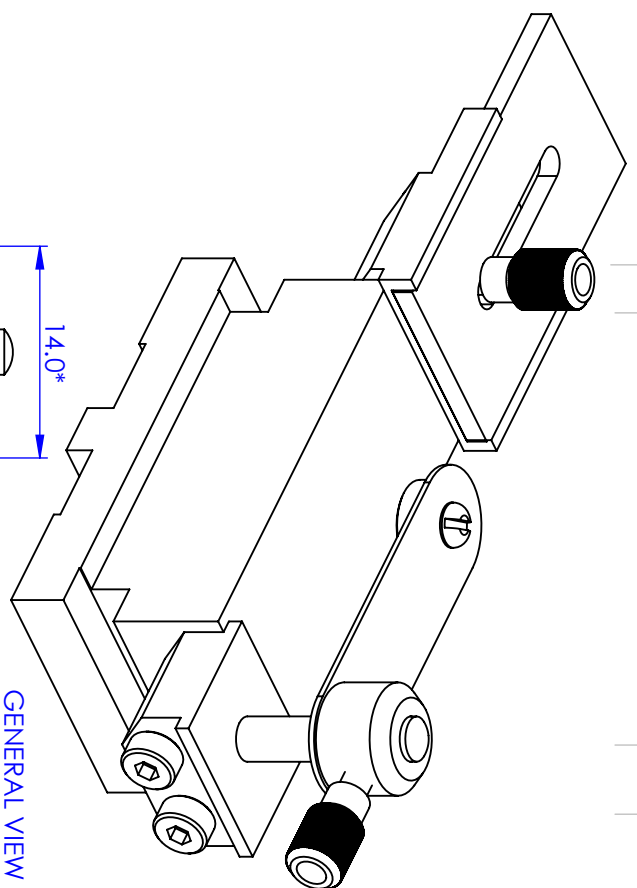
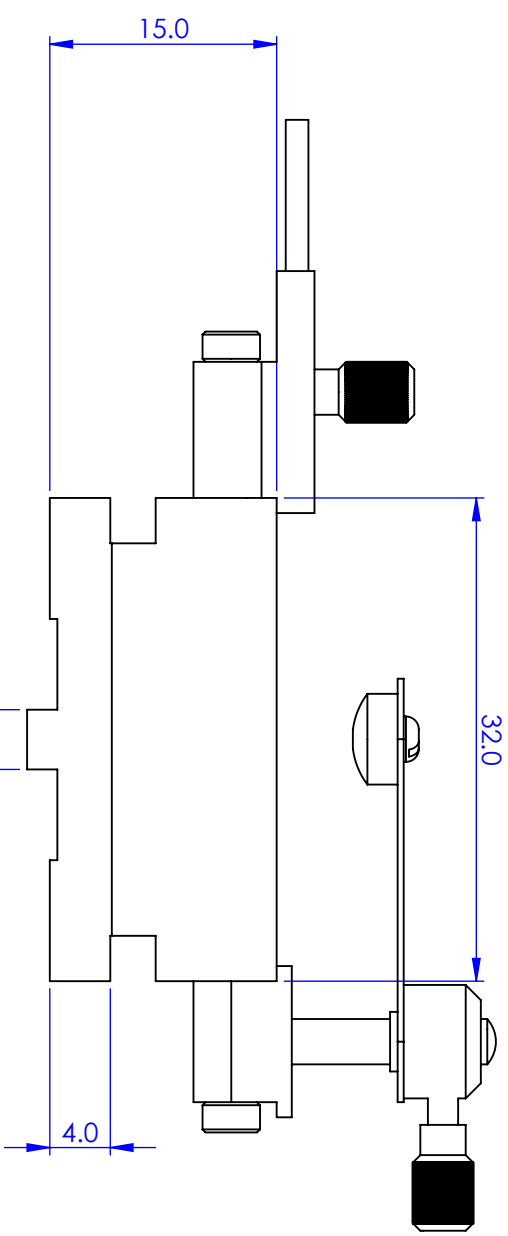
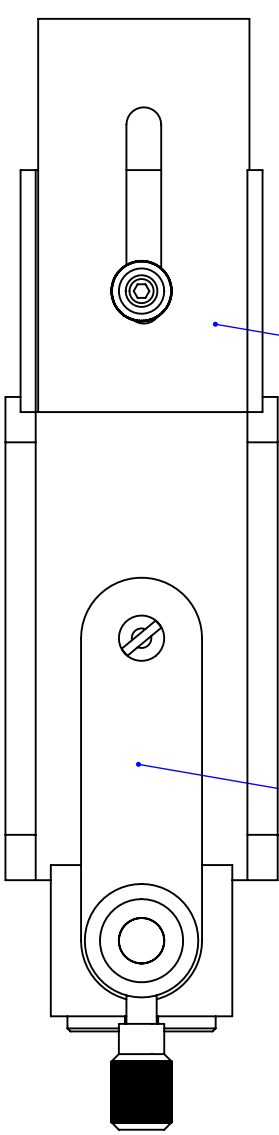
Options

Other waveguide lengths: 10 mm and 14 mm
Alternative mounting: adhesive/tape or vacuum
Also available manufactured in copper

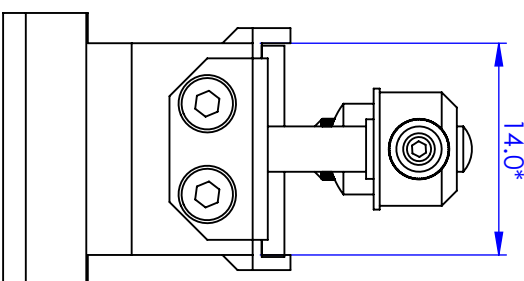
REV.	DESCRIPTION	DATE	APPROVED

ADJUSTABLE END STOP

ADJUSTABLE CLAMP ARM



GENERAL VIEW
SCALE 2:1



*STANDARD WIDTHS AVAILABLE
ARE 10mm, 14mm AND 30mm.
ORDER MDE743/10, MDE743/14 AND MDE743/30 RESPECTIVELY

4.0

4.0

14.0*

PROPRIETARY AND CONFIDENTIAL
COPYRIGHT ELLIOT SCIENTIFIC LTD.
THE INFORMATION CONTAINED IN THIS
DRAWING IS THE SOLE PROPERTY OF
ELLIOT SCIENTIFIC LTD. REPRODUCTION
IN PART OR AS A WHOLE WITHOUT WRITTEN
PERMISSION IS PROHIBITED.

DIMENSIONS ARE IN mm
GENERAL TOLERANCES: ± 0.1
ANGULAR TOLERANCES: ±
SURFACE FINISH:
ALL BURRS, SHARP EDGES
AND CORNERS TO BE
REMOVED

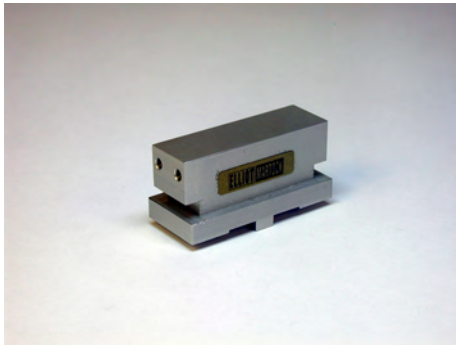
AUTHOR	NAME	DATE
CHECKED	GW	10/09/2010

Elliott Scientific	
TITLE WAVEGUIDE MOUNT WITH CLAMP	
SIZE A4	DWG. NO. MDE743
SCALE: 1	THIRD ANGLE PROJECTION
SHEET 1 OF 1	

DO NOT SCALE DRAWING

Elliot Gold™ Series: Waveguide Holders

MDE744-10 Basic Waveguide/Device Holder - 10 x 18 mm



- 10 mm waveguide length
- 18 mm nominal height
- Adhesive or tape mounting

ELLIOT | MARTOCK

The MDE744 series is a basic waveguide/substrate mount for use with MDE717 and MDE718 fibre rotators. These models feature an increased mounting height of 18 mm which matches the working height of the rotators. Affix device with tape or bond with adhesive.

Specifications

Length	10 mm
Height	18 mm

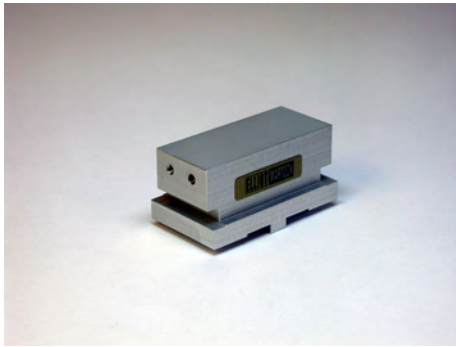
Options

Other waveguide lengths: 14 mm and 30 mm
Alternative mounting: vacuum or mechanical clamp
Also available manufactured in copper



Elliot Gold™ Series: Waveguide Holders

MDE744-14 Basic Waveguide/Device Holder - 14 x 18 mm



- 14 mm waveguide length
- 18 mm nominal height
- Adhesive or tape mounting

ELLIOT | MARTOCK

The MDE744 series is a basic waveguide/substrate mount for use with MDE717 and MDE718 fibre rotators. These models feature an increased mounting height of 18 mm which matches the working height of the rotators. Affix device with tape or bond with adhesive.

Specifications

Length 14 mm
Height 18 mm

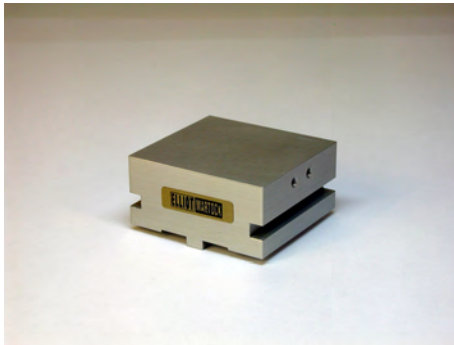
Options

Other waveguide lengths: 10 mm and 30 mm
Alternative mounting: vacuum or mechanical clamp
Also available manufactured in copper



Elliot Gold™ Series: Waveguide Holders

MDE744-30 Basic Waveguide/Device Holder - 30 x 18 mm



- 30 mm waveguide length
- 18 mm nominal height
- Adhesive or tape mounting



The MDE744 series is a basic waveguide/substrate mount for use with MDE717 and MDE718 fibre rotators. These models feature an increased mounting height of 18 mm which matches the working height of the rotators. Affix device with tape or bond with adhesive.

Specifications

Length	30 mm
Height	18 mm

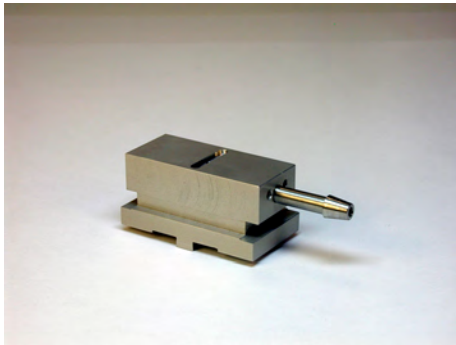
Options

Other waveguide lengths: 10 mm and 14 mm
Alternative mounting: vacuum or mechanical clamp
Also available manufactured in copper



Elliot Gold™ Series: Waveguide Holders

MDE745-10 Vacuum Waveguide/Device Holder - 10 x 18 mm



- 10 mm waveguide length
- 18 mm nominal height
- Vacuum mounting
- Hold-down groove custom cut for application

ELLIOT | MARTOCK

The MDE745 series is a vacuum waveguide mount for use with MDE717 and MDE718 fibre rotators. The model MDE745 features an increased mounting height of 18 mm that matches the working height of the rotators. Vacuum hold-down groove is cut to suit application.

Specifications

Length 10 mm
Height 18 mm

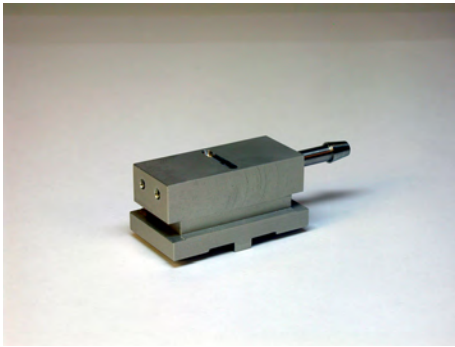
Options

Other waveguide lengths: 14 mm and 30 mm
Alternative mounting: adhesive/tape or mechanical clamp
Also available manufactured in copper



Elliot Gold™ Series: Waveguide Holders

MDE745-14 Vacuum Waveguide/Device Holder - 14 x 18 mm



- 14 mm waveguide length
- 18 mm nominal height
- Vacuum mounting
- Hold-down groove custom cut for application

ELLIOT | MARTOCK

The MDE745 series is a vacuum waveguide mount for use with MDE717 and MDE718 fibre rotators. The model MDE745 features an increased mounting height of 18 mm that matches the working height of the rotators. Vacuum hold-down groove is cut to suit application.

Specifications

Length 14 mm
Height 18 mm

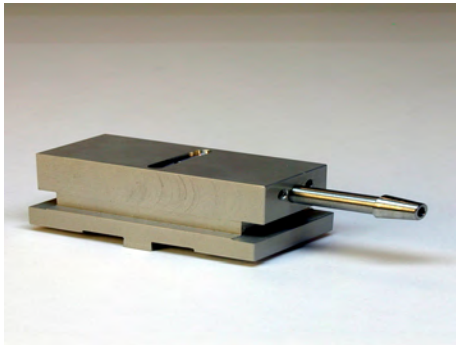
Options

Other waveguide lengths: 10 mm and 30 mm
Alternative mounting: adhesive/tape or mechanical clamp
Also available manufactured in copper



Elliot Gold™ Series: Waveguide Holders

MDE745-30 Vacuum Waveguide/Device Holder - 30 x 18 mm



- 30 mm waveguide length
- 18 mm nominal height
- Vacuum mounting
- Hold-down groove custom cut for application

ELLIOT | MARTOCK

The MDE745 series is a vacuum waveguide mount for use with MDE717 and MDE718 fibre rotators. The model MDE745 features an increased mounting height of 18 mm that matches the working height of the rotators. Vacuum hold-down groove is cut to suit application.

Specifications

Length 30 mm
Height 18 mm

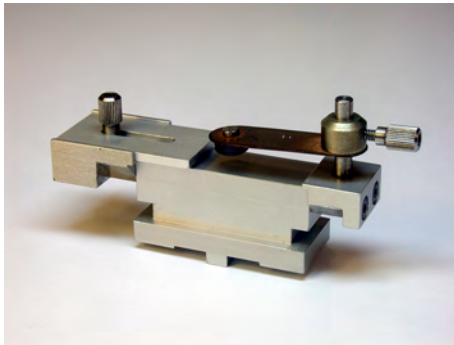
Options

Other waveguide lengths: 10 mm and 14 mm
Alternative mounting: adhesive/tape or mechanical clamp
Also available manufactured in copper



Elliot Gold™ Series: Waveguide Holders

MDE746-10 Mechanical Waveguide/Device Holder - 10 x 18 mm



- 10 mm waveguide length
- 18 mm nominal height
- Mechanical clamp mounting
- Adjustable end stop

ELLIOT | MARTOCK

The MDE746 series is a waveguide/substrate mount with mechanical clamp arm and adjustable end-stop for use with MDE717 and MDE718 fibre rotators. The MDE746 features an increased mounting height of 18 mm which matches the working height of the rotators.

Specifications

Length 10 mm
Height 18 mm

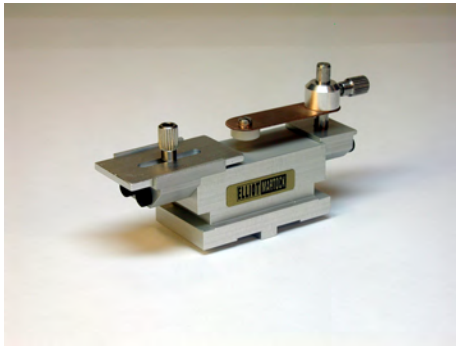
Options

Other waveguide lengths: 14 mm and 30 mm
Alternative mounting: adhesive/tape or vacuum
Also available manufactured in copper



Elliot Gold™ Series: Waveguide Holders

MDE746-14 Mechanical Waveguide/Device Holder - 14 x 18 mm



- 14 mm waveguide length
- 18 mm nominal height
- Mechanical clamp mounting
- Adjustable end stop



The MDE746 series is a waveguide/substrate mount with mechanical clamp arm and adjustable end-stop for use with MDE717 and MDE718 fibre rotators. The MDE746 features an increased mounting height of 18 mm which matches the working height of the rotators.

Specifications

Length 14 mm
Height 18 mm

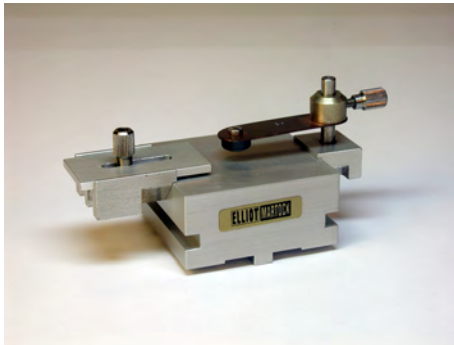
Options

Other waveguide lengths: 10 mm and 30 mm
Alternative mounting: adhesive/tape or vacuum
Also available manufactured in copper



Elliot Gold™ Series: Waveguide Holders

MDE746-30 Mechanical Waveguide/Device Holder - 30 x 18 mm



- 30 mm waveguide length
- 18 mm nominal height
- Mechanical clamp mounting
- Adjustable end stop



The MDE746 series is a waveguide/substrate mount with mechanical clamp arm and adjustable end-stop for use with MDE717 and MDE718 fibre rotators. The MDE746 features an increased mounting height of 18 mm which matches the working height of the rotators.

Specifications

Length	30 mm
Height	18 mm

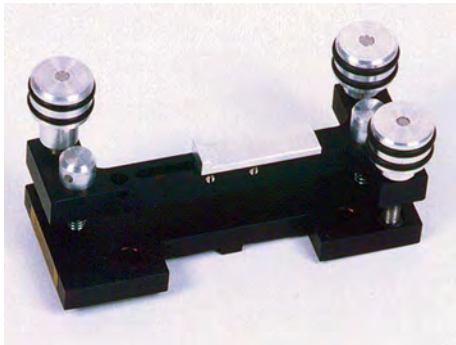
Options

Other waveguide lengths: 10 mm and 14 mm
 Alternative mounting: adhesive/tape or vacuum
 Also available manufactured in copper



Elliot Gold™ Series: Waveguide Holders

MDE747 Waveguide Mount with Pitch, Roll & Height Adjust



ELLIOT MARTOCK

- Angular travel $\pm 3^\circ$
- Optical axis height 15 mm ± 3 mm
- Waveguide mount slides & clamps in Y direction 12 mm
- Mechanical clamp arm from MDE743 may be fitted to stage
- Fits on flexure stages and MDE147, MDE148, and MDE149 brackets

Waveguide mount with kinematic adjustment of pitch and roll, plus height. Short length allows access with microscope objectives for free space coupling. Adjustable location ridge allows substrate to be placed parallel along optical axis.

Specifications

Y-Travel of waveguide mount	12 mm
Optical Axis Height	15 mm ± 3 mm
Angular Adjustment Pitch	$\pm 3^\circ$
Roll	$\pm 3^\circ$

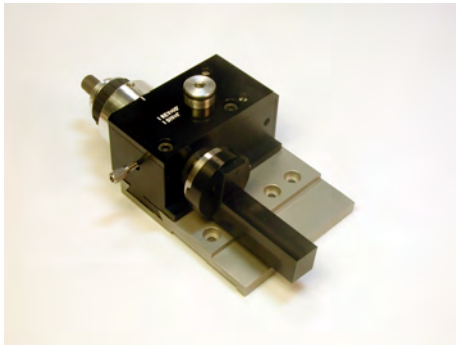
Options

Mechanical clamp arm from MDE743



Elliot Gold™ Series: Waveguide Holders

MDE890 Waveguide Mount with θ_y and X Adjust



- X-axis travel 16 mm
- Angular resolution 1 arc second
- Attaches to MDE881 and MDE883 Central Workstation
- θ_y has 360° coarse rotation with $\pm 1^\circ$ fine adjustment



Attaches to central platform of MDE881 or any Elliot/Martock flexure stage. θ_y has 360° of coarse adjustment, with $\pm 1^\circ$ rotation to 1 arc second resolution. The spindle assembly can slide in the X-direction by 16 mm along a precision dovetail and is locked in place with two screws. Customer or Elliot to machine mounting block supplied to suit requirements.

Specifications

θ_y Rotation	360° coarse adjustment, $\pm 1^\circ$ fine adjustment
Angular resolution	1 arc second
X-Adjustment	16 mm on precision dovetail with locking screws

Options

Machining of mounting block to suit requirements



Elliot Gold™ Series: Waveguide Holders

MDE891 Waveguide Mount with θ_y plus X & Y Adjust



- X-axis travel: 16 mm
- Z-axis travel: + 8/- 2 mm relative to spindle
- Angular resolution 1 arc second
- Attaches to MDE881 and MDE883 Central Workstation
- θ_y has 10° coarse rotation with $\pm 1^\circ$ fine adjustment



Attaches to central platform of MDE881 or any Elliot/Martock flexure stage. θ_y has 10° of coarse adjustment, with $\pm 1^\circ$ rotation to 1 arc second resolution. The spindle assembly can slide in the X-direction by 16 mm along a precision dovetail and is locked in place with two screws. The Y-adjustment is limited to + 8/- 2 mm travel relative to spindle. Customer or Elliot to machine mounting block supplied to suit requirements.

Specifications

θ_y Rotation	10° coarse adjustment, $\pm 1^\circ$ fine adjustment
Angular resolution	1 arc second
X-Adjustment	16 mm on precision dovetail with locking screws
Z-Adjustment	+ 8/- 2 mm relative to spindle

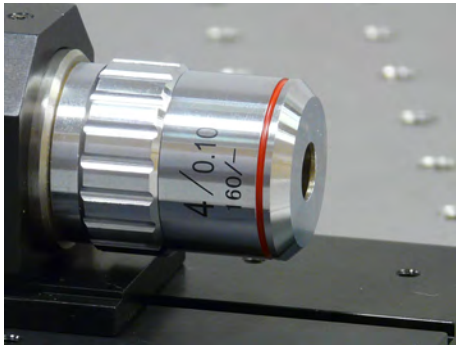
Options

Machining of mounting block to suit requirements



Elliot Gold™ Series: Microscope Objectives

MDE170 Microscope Achromatic Objective x4



- x4 Magnification
- BBAR Coated
- RMS 0.800"-36 Mounting Thread



Achromatic objective lens suitable for use with the Elliot Gold™ series Fibre Launch Systems.

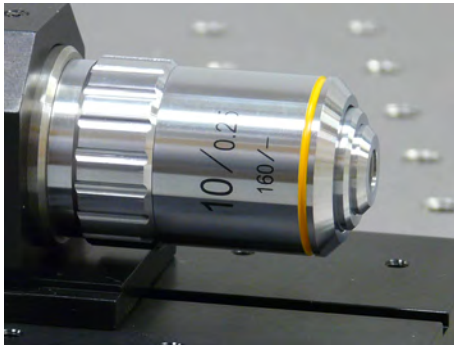
Specifications

Magnification	x4
Numerical Aperture	0.12
Working Distance	22 mm
Anti-reflection coating	Broadband AR coated for visible wavelength range
Mounting Thread	RMS 0.800"-36



Elliot Gold™ Series: Microscope Objectives

MDE172 Microscope Achromatic Objective x10



- x10 Magnification
- BBAR Coated
- RMS 0.800"-36 Mounting Thread



Achromatic objective lens suitable for use with the Elliot Gold™ series Fibre Launch Systems.

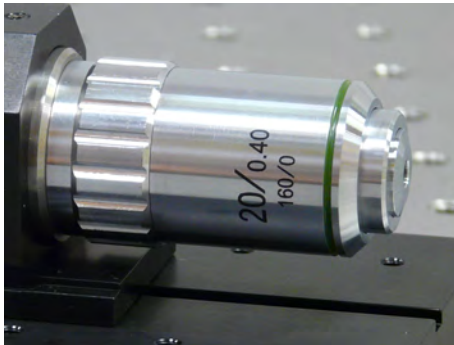
Specifications

Magnification	x10
Numerical Aperture	0.25
Working Distance	6.5 mm
Anti-reflection coating	Broadband AR coated for visible wavelength range
Mounting Thread	RMS 0.800"-36



Elliot Gold™ Series: Microscope Objectives

MDE173 Microscope Achromatic Objective x20



- x20 Magnification
- BBAR Coated
- RMS 0.800"-36 Mounting Thread



Achromatic objective lens suitable for use with the Elliot Gold™ series Fibre Launch Systems.

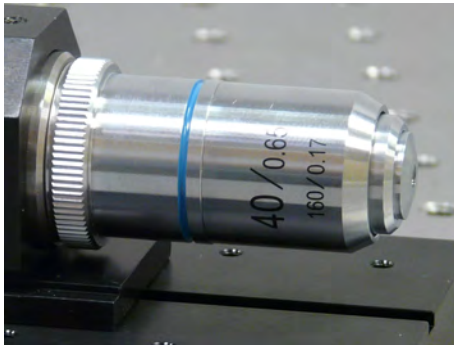
Specifications

Magnification	x20
Numerical Aperture	0.40
Working Distance	1.3 mm
Anti-reflection coating	Broadband AR coated for visible wavelength range
Mounting Thread	RMS 0.800"-36



Elliot Gold™ Series: Microscope Objectives

MDE174 Microscope Achromatic Objective x40



- x40 Magnification
- BBAR Coated
- RMS 0.800"-36 Mounting Thread



Achromatic objective lens suitable for use with the Elliot Gold™ series Fibre Launch Systems.

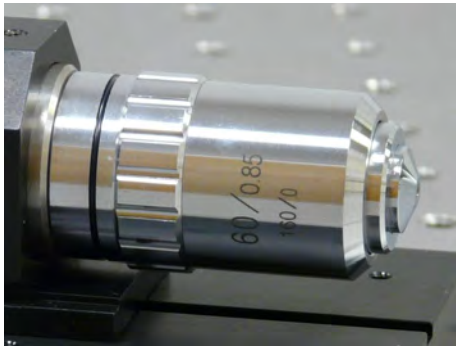
Specifications

Magnification	x40
Numerical Aperture	0.65
Working Distance	0.6 mm
Anti-reflection coating	Broadband AR coated for visible wavelength range
Mounting Thread	RMS 0.800"-36



Elliot Gold™ Series: Microscope Objectives

MDE175 Microscope Achromatic Objective x60



- x60 Magnification
- BBAR Coated
- RMS 0.800"-36 Mounting Thread



Achromatic objective lens suitable for use with the Elliot Gold™ series Fibre Launch Systems.

Specifications

Magnification	x60
Numerical Aperture	0.85
Working Distance	0.18 mm
Anti-reflection coating	Broadband AR coated for visible wavelength range
Mounting Thread	RMS 0.800"-36

