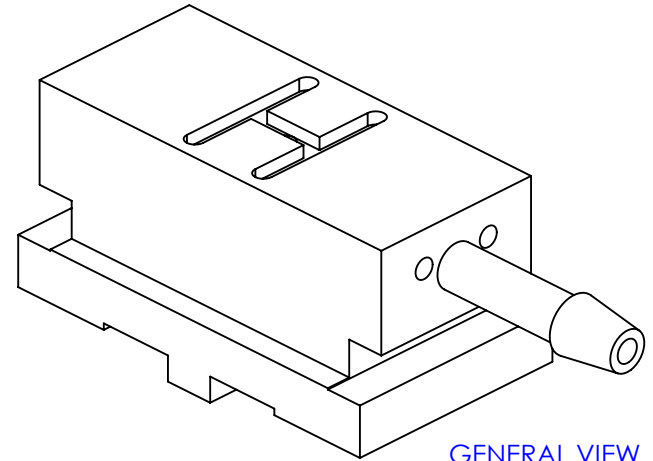
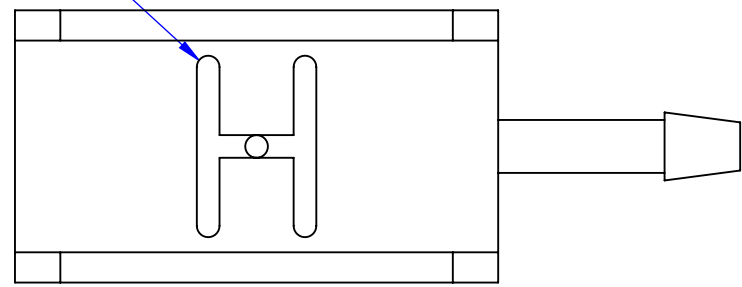
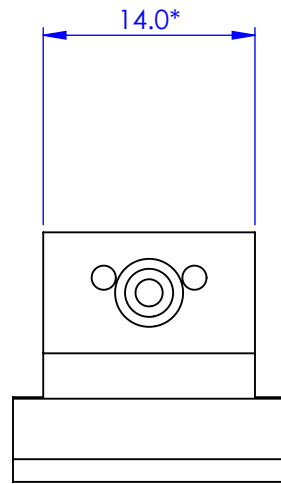
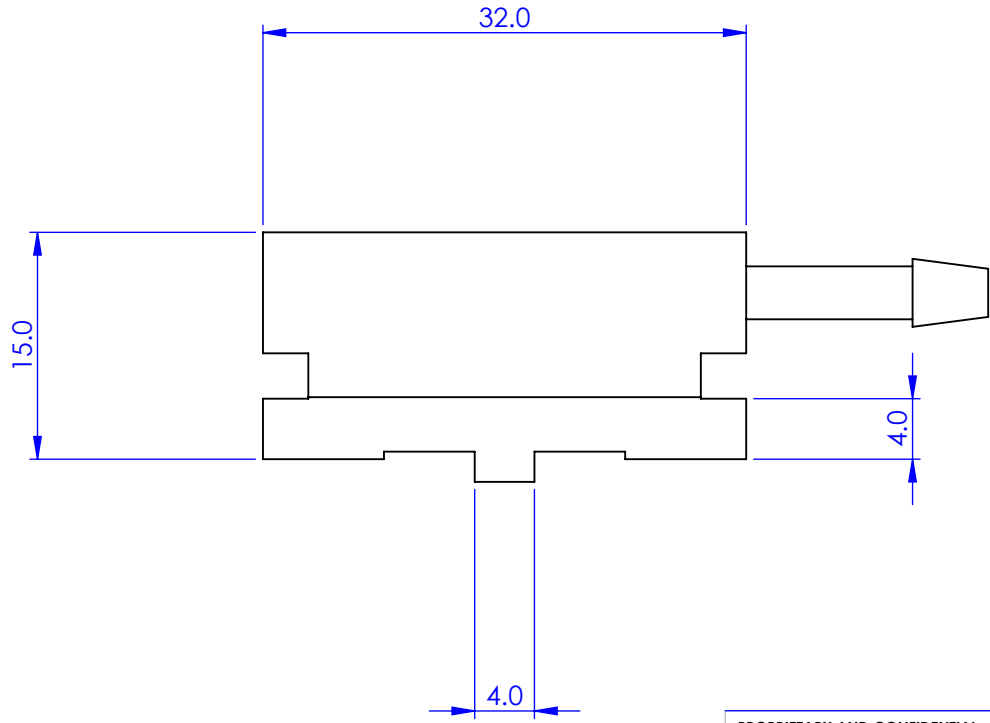


REV. NO.		REVISIONS	DATE	APPROVED
		DESCRIPTION		

SHAPE AND SIZE OF VACUUM CUT-OUT CAN BE CUSTOMISED



GENERAL VIEW  
SCALE 2:1



\*STANDARD WIDTHS AVAILABLE ARE 10mm, 14mm AND 30mm.  
ORDER MDE742/10, MDE742/14 AND MDE742/30 RESPECTIVELY

**PROPRIETARY AND CONFIDENTIAL**  
**COPYRIGHT ELLIOT SCIENTIFIC Ltd.**  
THE INFORMATION CONTAINED IN THIS DRAWING IS THE SOLE PROPERTY OF ELLIOT SCIENTIFIC LTD. REPRODUCTION IN PART OR AS A WHOLE WITHOUT WRITTEN PERMISSION IS PROHIBITED.

DIMENSIONS ARE IN mm  
GENERAL TOLERANCES:  $\pm 0.1$   
ANGULAR TOLERANCES:  $\pm$   
SURFACE FINISH:  
ALL BURRS, SHARP EDGES AND CORNERS TO BE REMOVED

NAME	DATE
AUTHOR GW	10/08/2010
CHECKED --	--
MATERIAL --	
FINISH --	
DO NOT SCALE DRAWING	

<b>Elliot Scientific</b>		TITLE	
		VACUUM WAVEGUIDE MOUNT	
SIZE	DWG. NO.		
A4	MDE742		
SCALE:2:1	THIRD ANGLE PROJECTION	SHEET 1 OF 1	