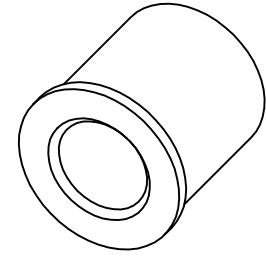
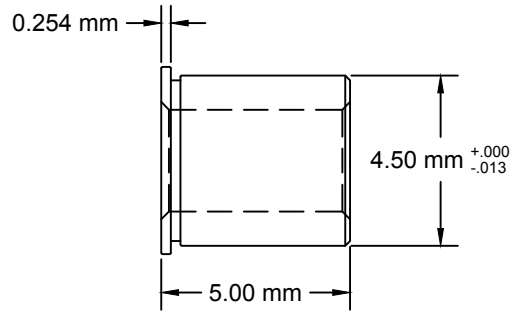
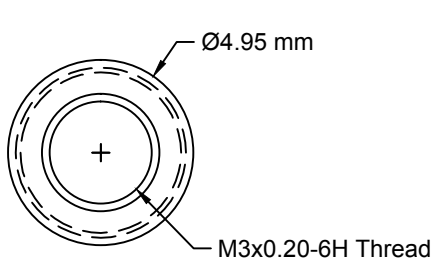


Revisions			
Rev.	Description	Date	Approved
A	Initial Release	03/29/10	G.K.



Kozak Micro Adjusters
193 Franklin Rd.
Randolph, NJ 07869

Phone: 1-973-442-1001
Fax: 1-973-442-1448
Email: info@kozakmicro.com

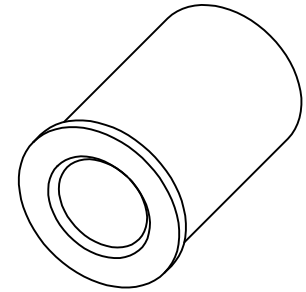
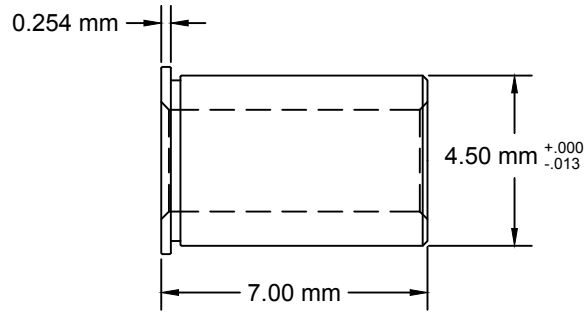
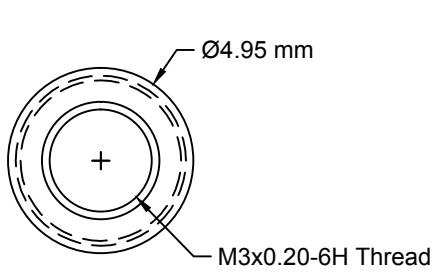
Drawn D.K. 03/12/10
Check J.P. 03/18/10
Appr. G.K. 03/29/10
Issued 05/19/10



M3 x 0.20, 5mm Bushing

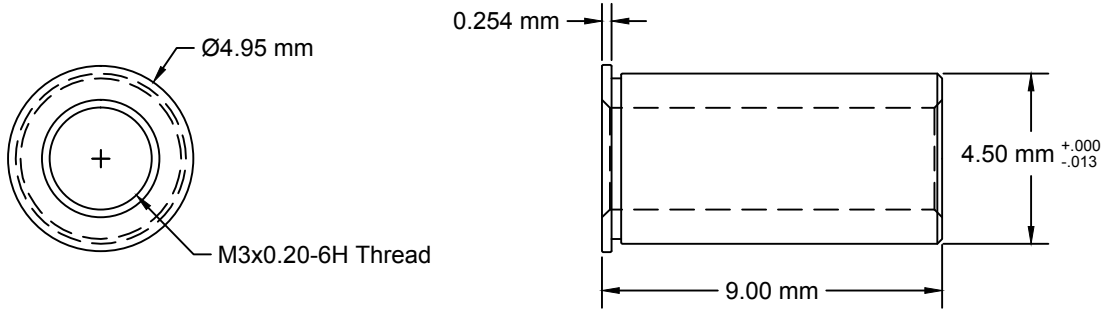
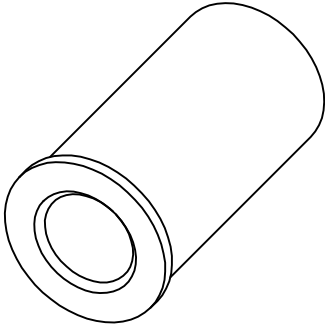
Size A	Drawing No. TB3-20-05	Rev. A
Scale 5:1	Material 360 Brass	Sheet 1 of 1

Revisions			
Rev.	Description	Date	Approved
A	Initial Release	03/29/10	G.K.



Kozak Micro Adjusters 193 Franklin Rd. Randolph, NJ 07869 Phone: 1-973-442-1001 Fax: 1-973-442-1448 Email: info@kozakmicro.com			
<h3>M3 x 0.20, 7mm Bushing</h3>			
Drawn	D.K. 03/12/10	Size	Drawing No.
Check	J.P. 03/18/10	A	TB3-20-07
Appr.	G.K. 03/29/10	Scale	Material
Issued	05/19/10	5:1	360 Brass
		Rev.	A
		Sheet	1 of 1

Revisions			
Rev.	Description	Date	Approved
A	Initial Release	03/29/10	G.K.



Kozak Micro Adjusters 193 Franklin Rd. Randolph, NJ 07869 Phone: 1-973-442-1001 Fax: 1-973-442-1448 Email: info@kozakmicro.com			
<h3>M3 x 0.20, 9mm Bushing</h3>			
Drawn	D.K. 03/12/10	Size	Drawing No.
Check	J.P. 03/18/10	A	TB3-20-09
Appr.	G.K. 03/29/10	Scale	Material
Issued	05/19/10	5:1	360 Brass
		Rev.	Sheet
		A	1 of 1