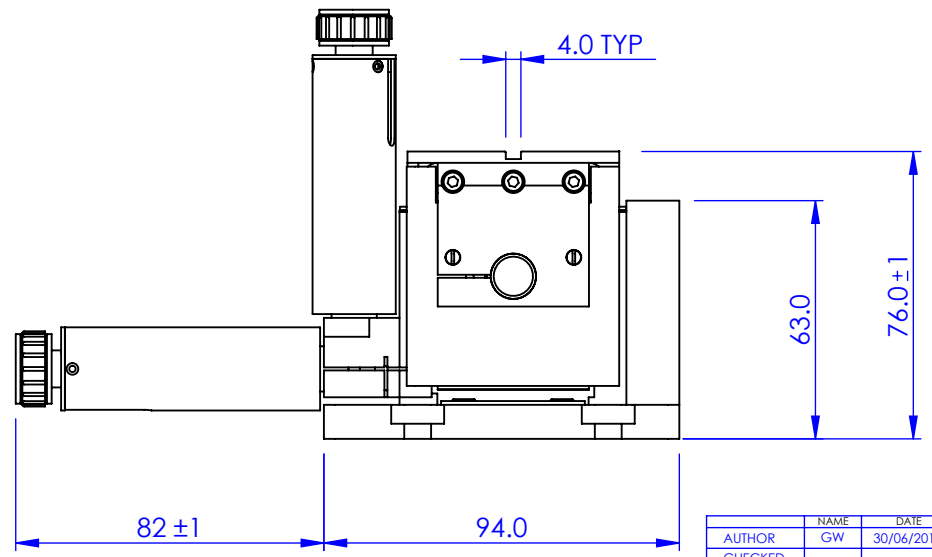
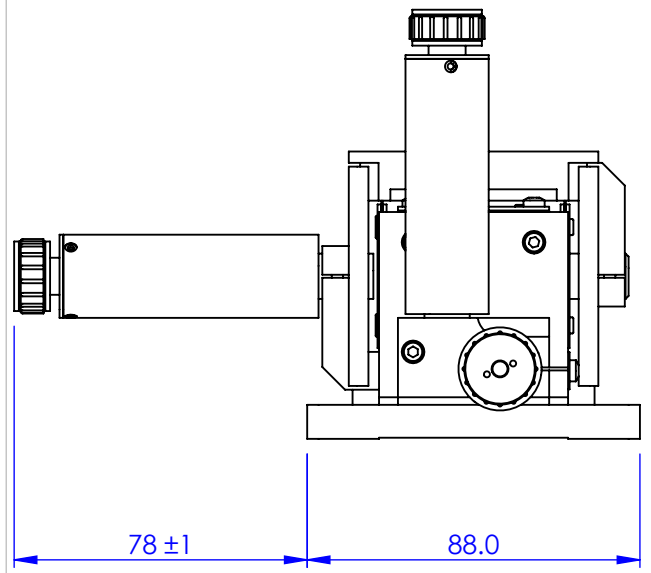
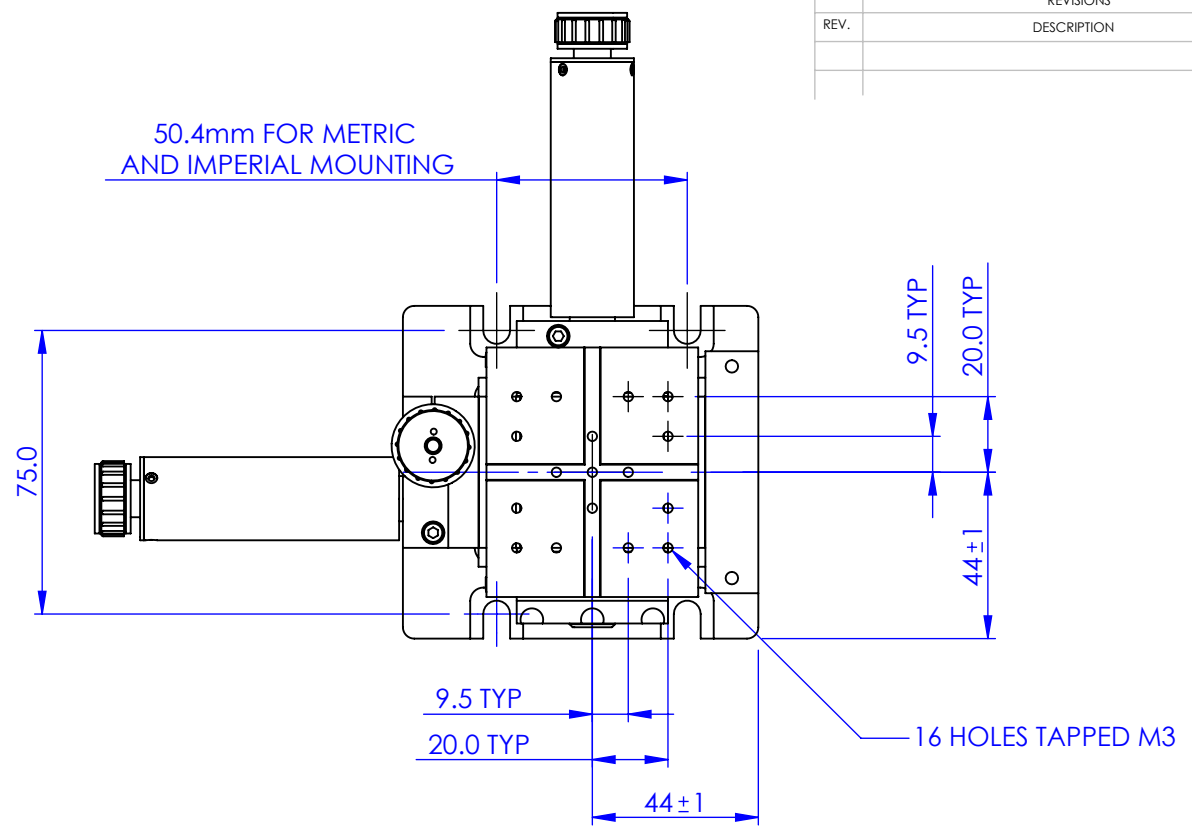
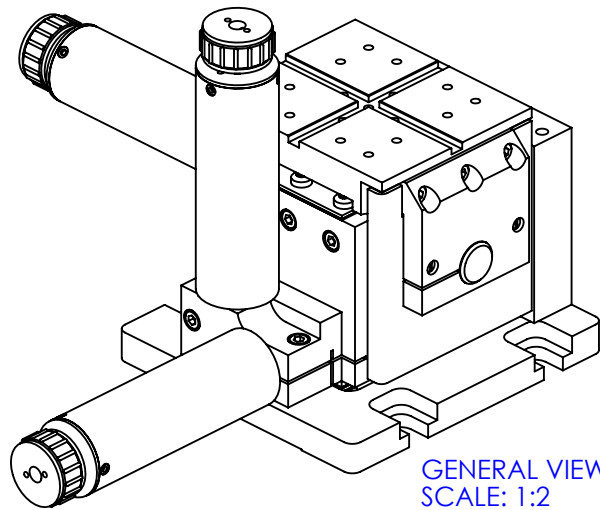


REV. NO.		REVISIONS	DATE	APPROVED



PROPRIETARY AND CONFIDENTIAL
COPYRIGHT ELLIOT SCIENTIFIC Ltd.
 THE INFORMATION CONTAINED IN THIS DRAWING IS THE SOLE PROPERTY OF ELLIOT SCIENTIFIC LTD. REPRODUCTION IN PART OR AS A WHOLE WITHOUT WRITTEN PERMISSION IS PROHIBITED.

DIMENSIONS ARE IN mm
 GENERAL TOLERANCES: ± 0.1
 ANGULAR TOLERANCES: ±
 SURFACE FINISH:
 ALL BURRS, SHARP EDGES AND CORNERS TO BE REMOVED

AUTHOR	NAME	DATE
GW	GW	30/06/2010
CHECKED	-	-
MATERIAL		
FINISH		

DO NOT SCALE DRAWING		

Elliot Scientific

TITLE
FLEXURE STAGE

SIZE **A4** DWG. NO. **MDE125**

SCALE: 1:2 THIRD ANGLE PROJECTION SHEET 1 OF 1