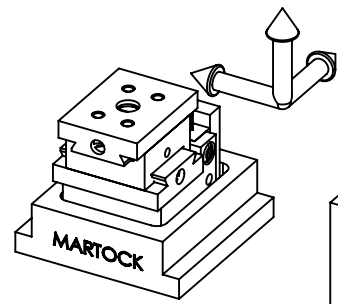
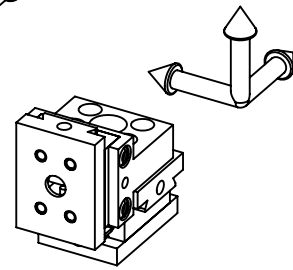


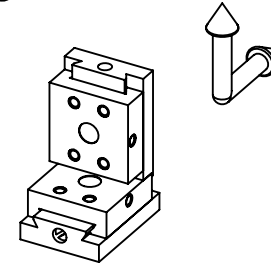
REVIEWS		DATE	APPROVED
REV.	DESCRIPTION		



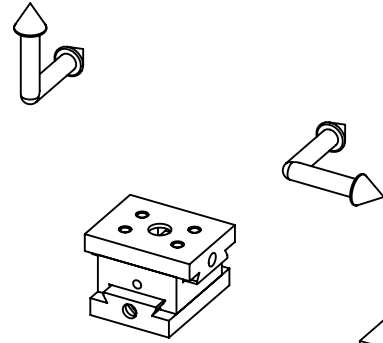
MDE267



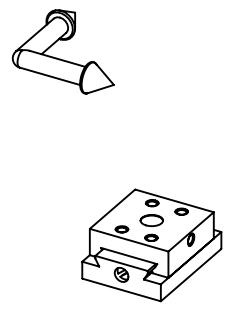
MDE269



MDE268



MDE266



MDE265

**PROPRIETARY AND CONFIDENTIAL
COPYRIGHT ELLIOT SCIENTIFIC Ltd.**
THE INFORMATION CONTAINED IN THIS
DRAWING IS THE SOLE PROPERTY OF
ELLIOT SCIENTIFIC LTD. REPRODUCTION
IN PART OR AS A WHOLE WITHOUT WRITTEN
PERMISSION IS PROHIBITED.

DIMENSIONS ARE IN mm
GENERAL TOLERANCES: ± 0.1
ANGULAR TOLERANCES: \pm
SURFACE FINISH:
ALL BURRS, SHARP EDGES
AND CORNERS TO BE
REMOVED

	NAME	DATE
AUTHOR	GW	09/06/2010
CHECKED	--	--
MATERIAL	---	
FINISH	---	
DO NOT SCALE DRAWING		

		TITLE	
		3mm TRAVEL DOVETAIL SLIDES	
SIZE	DWG. NO.		
A4	MDE265 SERIES		
SCALE:1:1		THIRD ANGLE PROJECTION	SHEET 1 OF 1