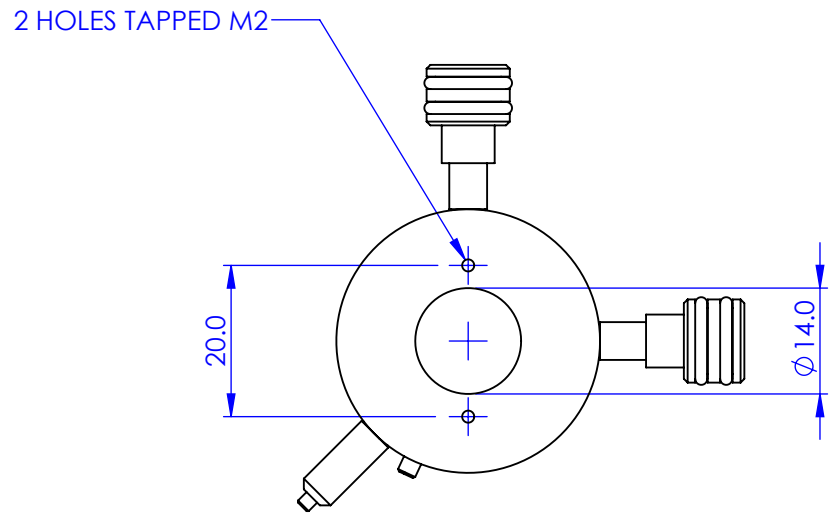
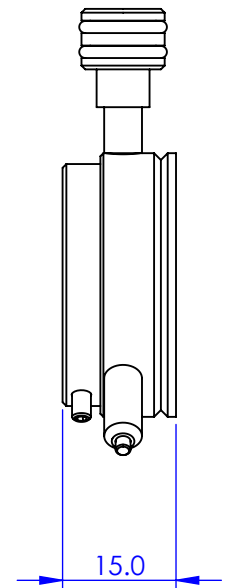
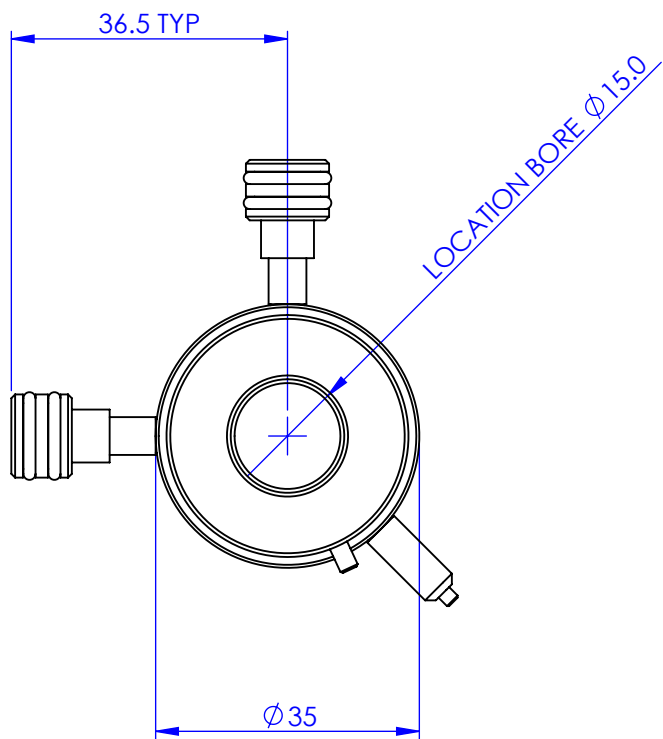
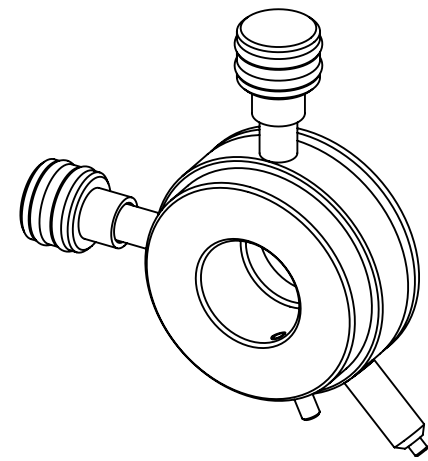


REV.	REVISIONS	DATE	APPROVED
	DESCRIPTION		

±1mm X&Y TRAVEL



PROPRIETARY AND CONFIDENTIAL
COPYRIGHT ELLIOT SCIENTIFIC Ltd.
 THE INFORMATION CONTAINED IN THIS
 DRAWING IS THE SOLE PROPERTY OF
 ELLIOT SCIENTIFIC LTD. REPRODUCTION
 IN PART OR AS A WHOLE WITHOUT WRITTEN
 PERMISSION IS PROHIBITED.

DIMENSIONS ARE IN mm
 GENERAL TOLERANCES: ± 0.1
 ANGULAR TOLERANCES: ±
 SURFACE FINISH:
 ALL BURRS, SHARP EDGES
 AND CORNERS TO BE
 REMOVED

NAME	DATE
AUTHOR GW	23/03/2010
CHECKED --	--
MATERIAL STAINLESS STEEL	
FINISH --	
DO NOT SCALE DRAWING	

Elliot Scientific

TITLE
CENTRING MOUNT

SIZE **A4** DWG. NO. **MDE250-S-15**

SCALE:1:1 THIRD ANGLE PROJECTION SHEET 1 OF 1