

FEMTO by fibercryst

Femtosecond Laser Series

FEMTO-30

FEMTO by Fibercryst is a series of powerful industrial femtosecond lasers offering output powers up to 30W and pulse energies in excess of 160 μJ , with pulses shorter than 800 fs.

The FEMTO series is the only ultrafast laser available integrating the Taranis Single Crystal Fiber (SCF) technology which enables high pulse energy and flexible repetition rate to meet requirements for both high throughput applications and high energy demanding applications.

This unique architecture provides excellent reliability and beam quality, all in a compact packaging.

FEMTO SNAP SHOT

- Pulse width less than 800 fs
- Tunable repetition rate from 100 kHz to 1 MHz
- Excellent beam quality $M^2 < 1.3$
- Peak power up to 200 MW
- Fast warm up
- Frequency change on the fly

APPLICATIONS

- Cutting and drilling of hard material, glass, sapphire, ceramics...
- Cold machining of polymers and composites
- Micromachining and surface structuring



www.fibercryst.com

fibercryst

Fibercryst S.A.S.

31 rue WILSON
69150 DECINES CHARPIEU - FRANCE

contact@fibercryst.com

Femtosecond Laser Series

FEMTO-30

FEMTO

by fibercryst



SPECIFICATIONS*

Wavelength	1030 nm
Average Power	30 W
Pulse Repetition Rate	100 kHz to 1 MHz
Spatial Mode TEM ₀₀	M ² < 1.3
Pulse Duration	< 800 fs
Polarization Ratio	> 100 : 1
Electric Supply	115 to 230 VAC/50 to 60 Hz
Beam Diameter	2 mm
Warm-Up Time	95% of power in < 10 mn
Max Outer Dimensions	830 x 460 x 180 mm ³

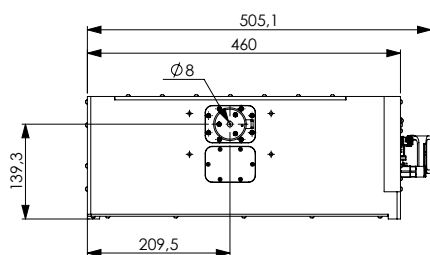
* Custom specifications available, please contact us

LASER SPECIFICATIONS AT MIN/MAX REPETITION RATES

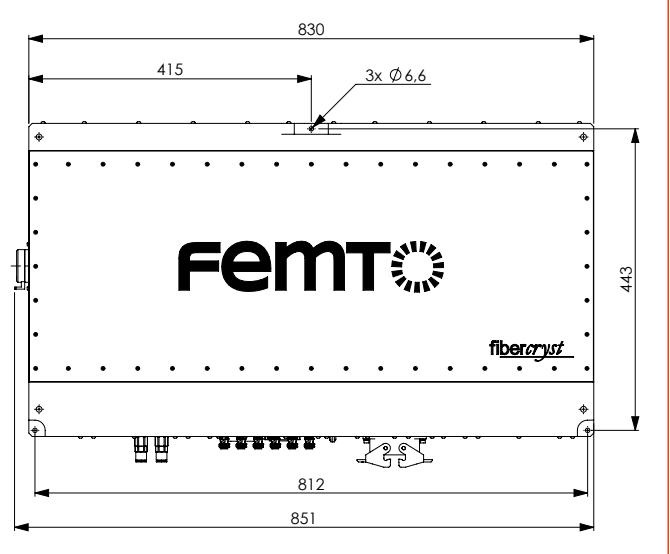
Repetition rate [kHz]	100	1000
Average Power [W]	16	30
Pulse Energy [μJ]	160	30
Peak Power [MW]	200	37

MECHANICAL DATA

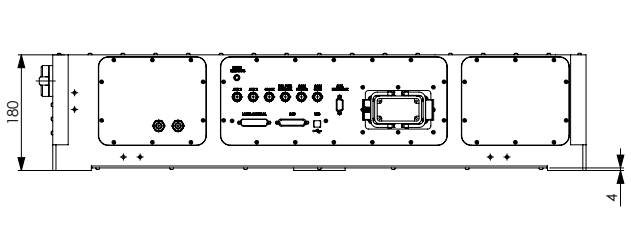
Side View



Top View



Front View



This device complies with Part 15 of the FCC Rules. Operation is subject to the following two conditions: (1) this device may not cause harmful interference, and (2) this device must accept any interference received, including interference that may cause undesired operation.

fibercryst