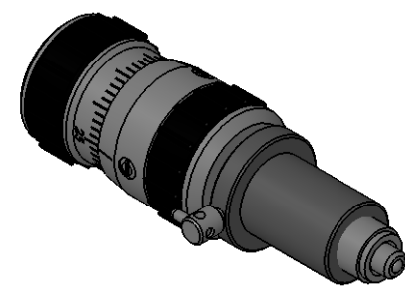
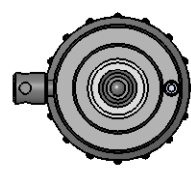
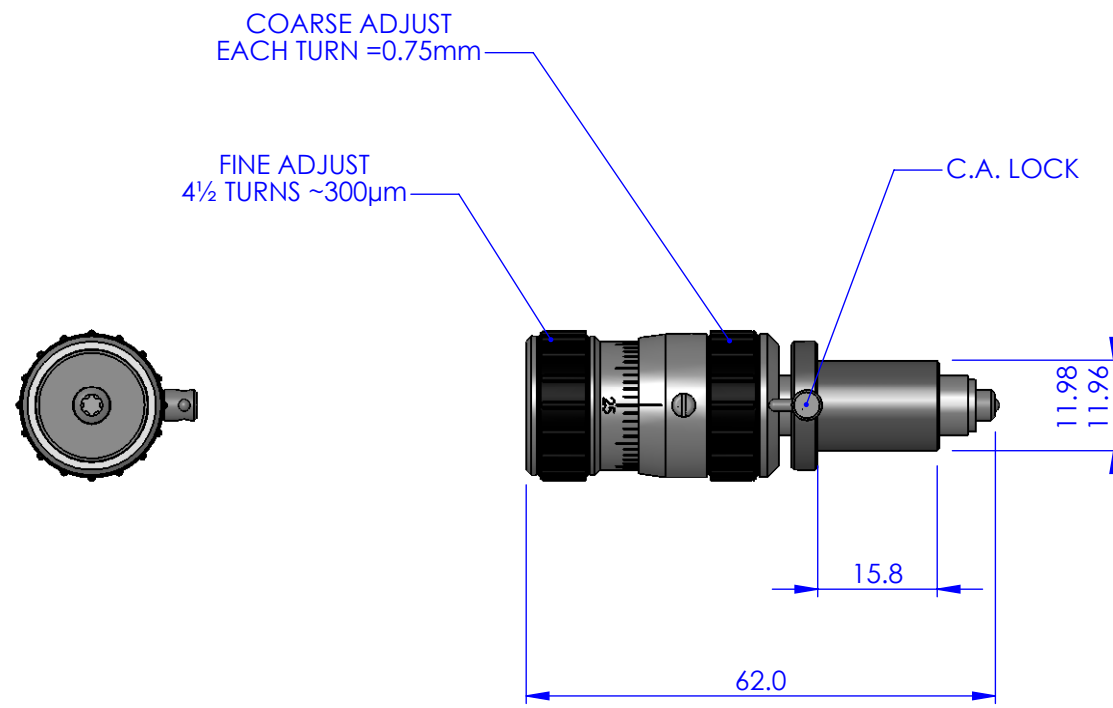


REV.	REVISIONS	DESCRIPTION	DATE	APPROVED



GENERAL VIEW
SCALE: 1:1



**PROPRIETARY AND CONFIDENTIAL
COPYRIGHT ELLIOT SCIENTIFIC Ltd.**
THE INFORMATION CONTAINED IN THIS
DRAWING IS THE SOLE PROPERTY OF
ELLIOT SCIENTIFIC LTD. REPRODUCTION
IN PART OR AS A WHOLE WITHOUT WRITTEN
PERMISSION IS PROHIBITED.

DIMENSIONS ARE IN mm
GENERAL TOLERANCES: ± 0.1
ANGULAR TOLERANCES: ±
SURFACE FINISH:
ALL BURRS, SHARP EDGES
AND CORNERS TO BE
REMOVED

	NAME	DATE
AUTHOR	GW	12/07/2010
CHECKED	--	--
MATERIAL		
FINISH		

DO NOT SCALE DRAWING		

		TITLE	
		HIGH PRECISION ADJUSTER	
SIZE	DWG. NO.		
A4	MDE216		
	SCALE:1:1	THIRD ANGLE PROJECTION	SHEET 1 OF 1