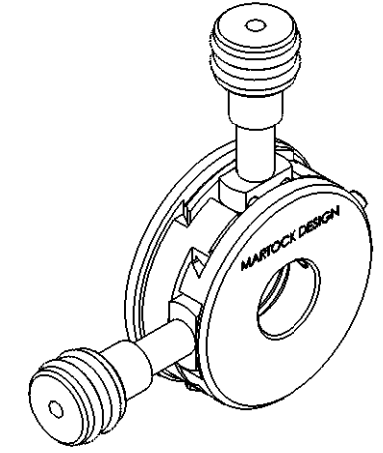
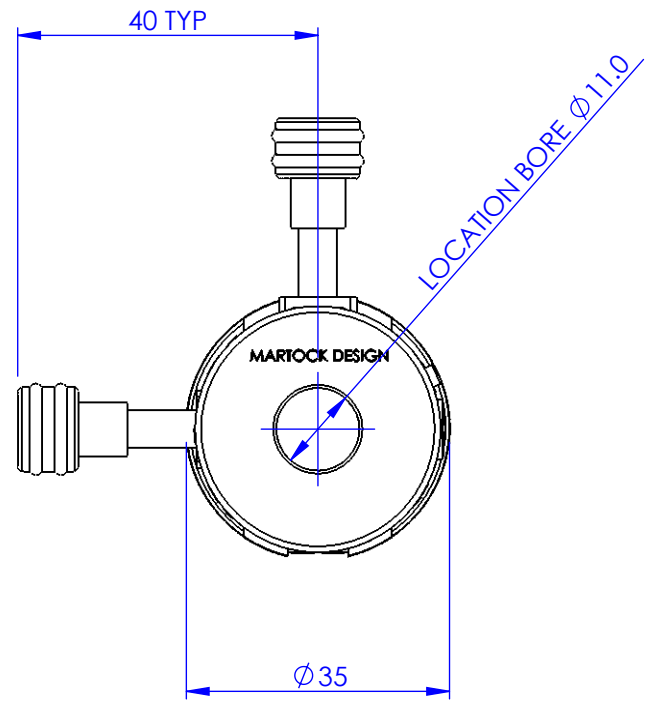


| REV. | REVISIONS | DESCRIPTION | DATE | APPROVED |
|------|-----------|-------------|------|----------|
| | | | | |

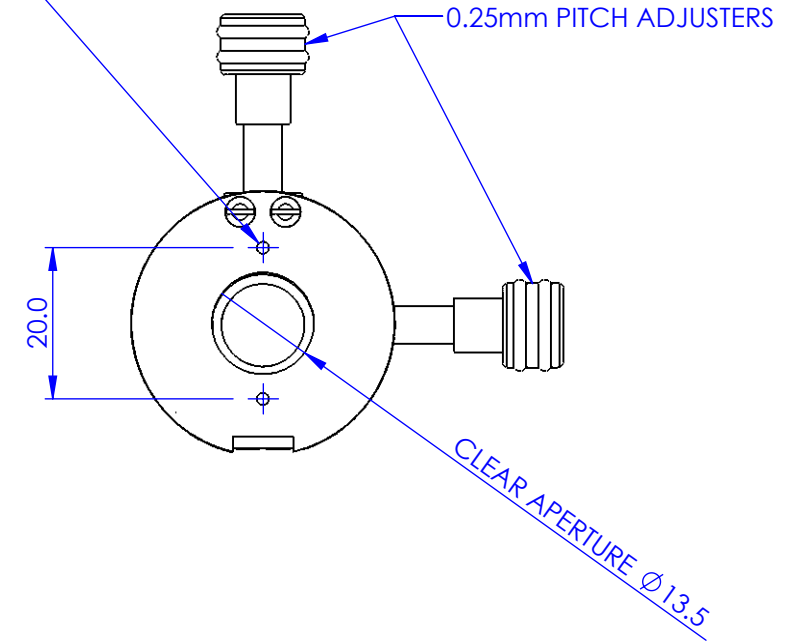
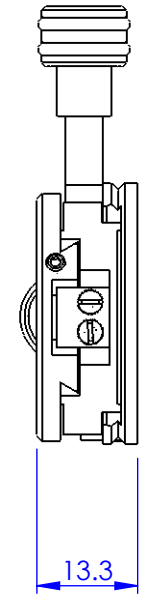
±1mm X & Y TRAVEL DOVETAIL SLIDES



GENERAL VIEW
SCALE: 1:1



2 HOLES TAPPED M2



**PROPRIETARY AND CONFIDENTIAL
COPYRIGHT ELLIOT SCIENTIFIC Ltd.**
THE INFORMATION CONTAINED IN THIS
DRAWING IS THE SOLE PROPERTY OF
ELLIOT SCIENTIFIC LTD. REPRODUCTION
IN PART OR AS A WHOLE WITHOUT WRITTEN
PERMISSION IS PROHIBITED.

DIMENSIONS ARE IN mm
GENERAL TOLERANCES: ± 0.1
ANGULAR TOLERANCES: ±
SURFACE FINISH:
ALL BURRS, SHARP EDGES
AND CORNERS TO BE
REMOVED

| AUTHOR | NAME | DATE |
|----------------------|---|------------|
| GW | GW | 25/05/2010 |
| CHECKED | -- | -- |
| MATERIAL | STAINLESS STEEL AL. ALLOY/AL. BRONZE | |
| FINISH | -- | |
| DO NOT SCALE DRAWING | SCALE:1:1 | |

| | |
|--|---------------------------|
| Elliot Scientific | |
| TITLE PRECISION XY MICROPOSITIONER | |
| SIZE A4 | DWG. NO. MDE251 |
| THIRD ANGLE PROJECTION | SHEET 1 OF 1 |