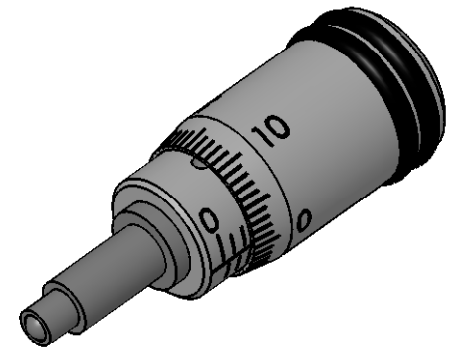
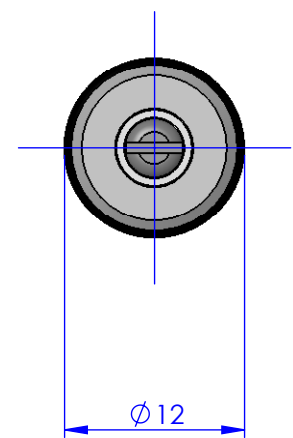
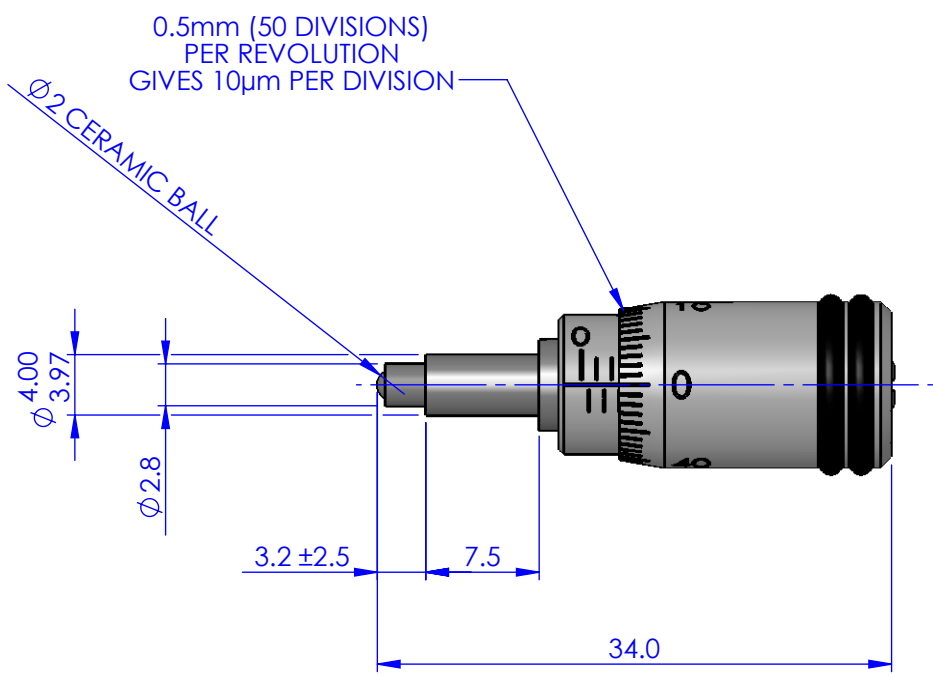


REV.	REVISIONS	DESCRIPTION	DATE	APPROVED



GENERAL VIEW



**PROPRIETARY AND CONFIDENTIAL**  
**COPYRIGHT ELLIOT SCIENTIFIC Ltd.**  
THE INFORMATION CONTAINED IN THIS  
DRAWING IS THE SOLE PROPERTY OF  
ELLIOT SCIENTIFIC LTD. REPRODUCTION  
IN PART OR AS A WHOLE WITHOUT WRITTEN  
PERMISSION IS PROHIBITED.

DIMENSIONS ARE IN mm  
GENERAL TOLERANCES: ± 0.1  
ANGULAR TOLERANCES: ±  
SURFACE FINISH:  
ALL BURRS, SHARP EDGES  
AND CORNERS TO BE  
REMOVED

NAME	DATE
AUTHOR GW	22/04/2008
CHECKED --	--
MATERIAL ALUM. ALLOY, NICKEL SILVER, STAINLESS STEEL	
FINISH --	
DO NOT SCALE DRAWING	

		TITLE	
		5mm TRAVEL MICROMETER	
SIZE	DWG. NO.	SHEET 1 OF 1	
A4	MDE206	SCALE:2:1	THIRD ANGLE PROJECTION