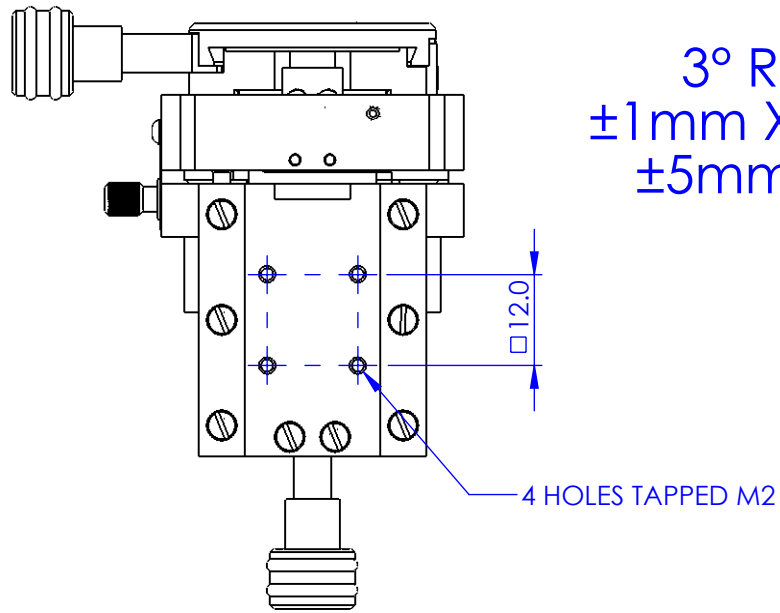
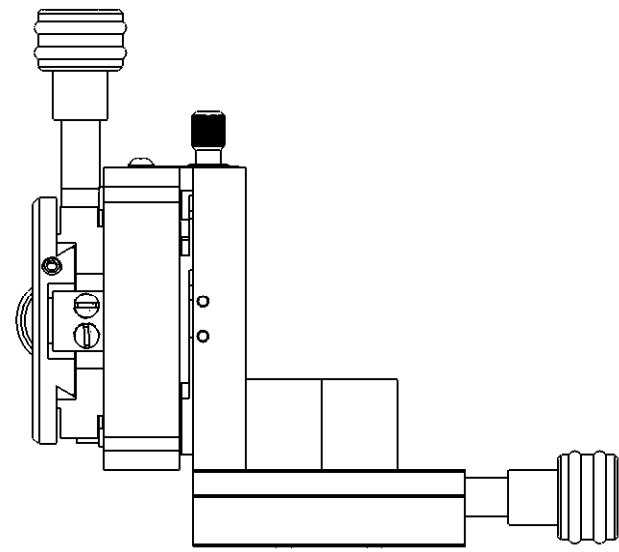
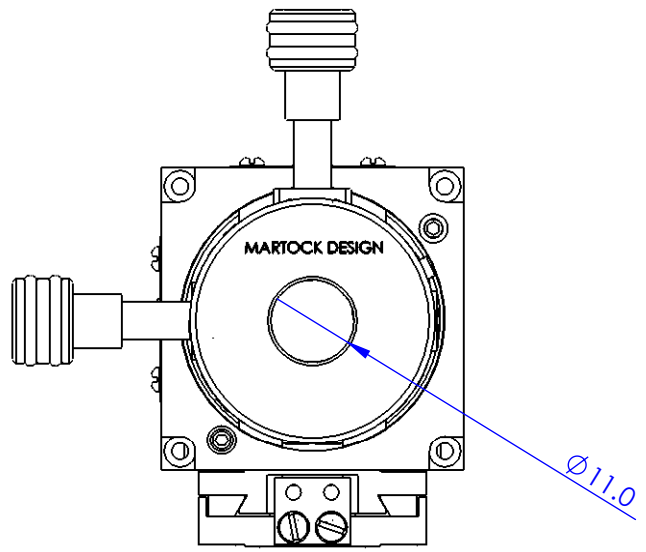
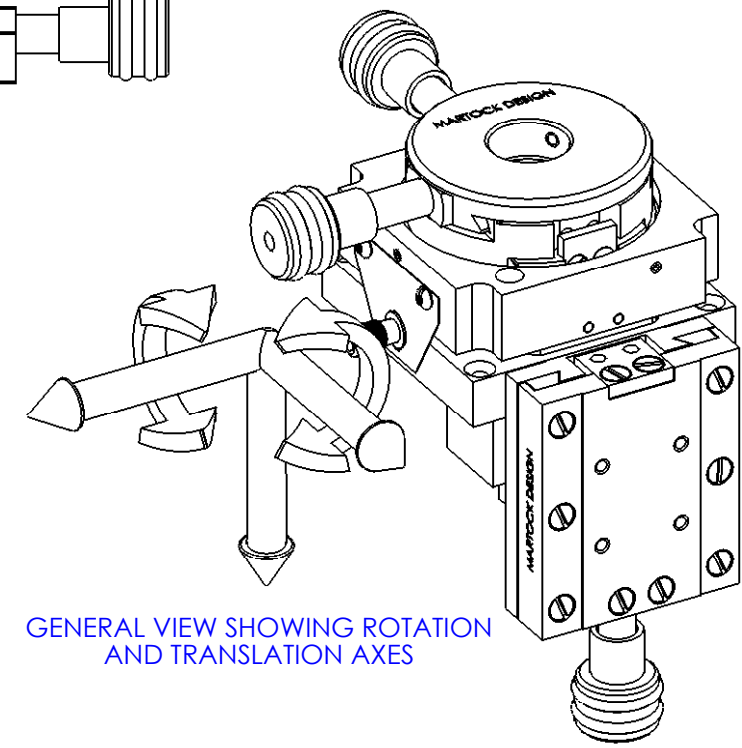


REV.	REVISIONS	DESCRIPTION	DATE	APPROVED



3° ROTATION AXES
±1mm X&Y TRANSLATION,
±5mm Z TRANSLATION



GENERAL VIEW SHOWING ROTATION AND TRANSLATION AXES

PROPRIETARY AND CONFIDENTIAL
COPYRIGHT ELLIOT SCIENTIFIC Ltd.
THE INFORMATION CONTAINED IN THIS DRAWING IS THE SOLE PROPERTY OF ELLIOT SCIENTIFIC LTD. REPRODUCTION IN PART OR AS A WHOLE WITHOUT WRITTEN PERMISSION IS PROHIBITED.

DIMENSIONS ARE IN mm
GENERAL TOLERANCES: ± 0.1
ANGULAR TOLERANCES: ±
SURFACE FINISH:
ALL BURRS, SHARP EDGES
AND CORNERS TO BE
REMOVED

	NAME	DATE
AUTHOR	GW	01/06/2010
CHECKED	--	--
MATERIAL	--	--
FINISH	--	--

		TITLE
		5 AXIS MICROPOSITIONER
SIZE	DWG. NO.	
A4	MDE277	
DO NOT SCALE DRAWING	SCALE:1:1	THIRD ANGLE PROJECTION
		SHEET 1 OF 1