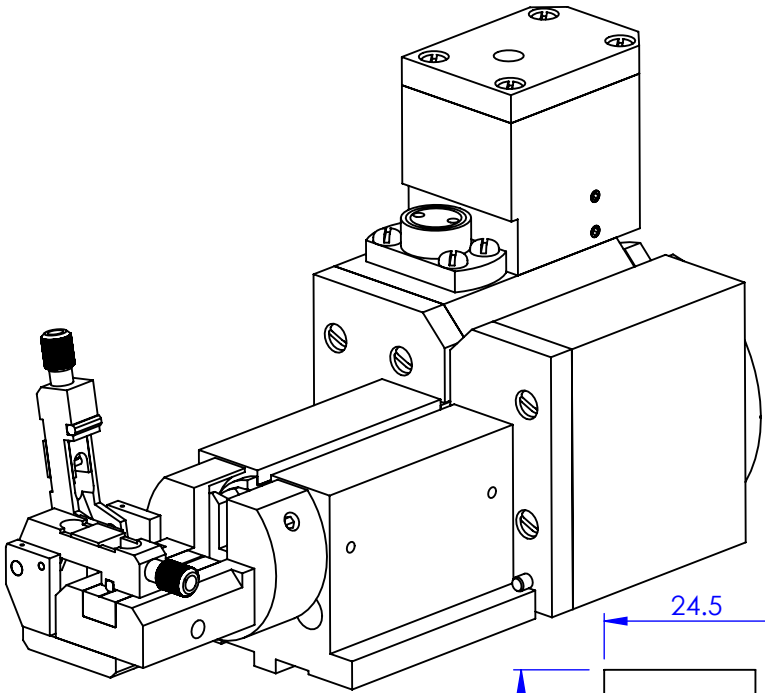
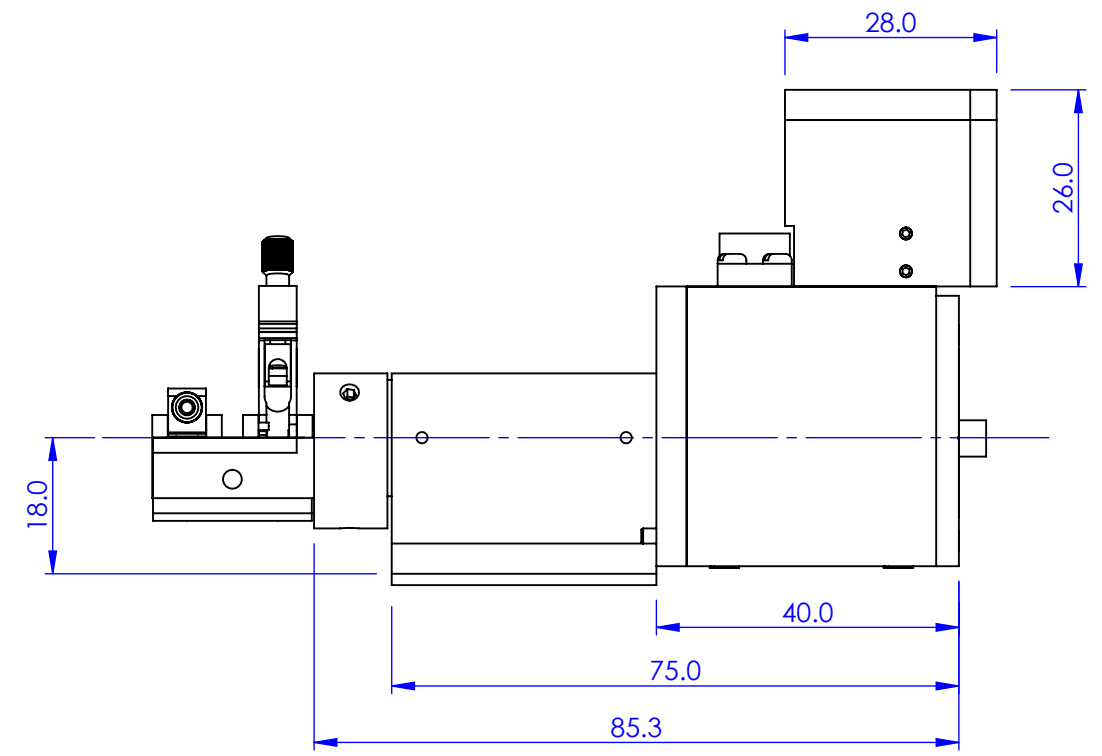
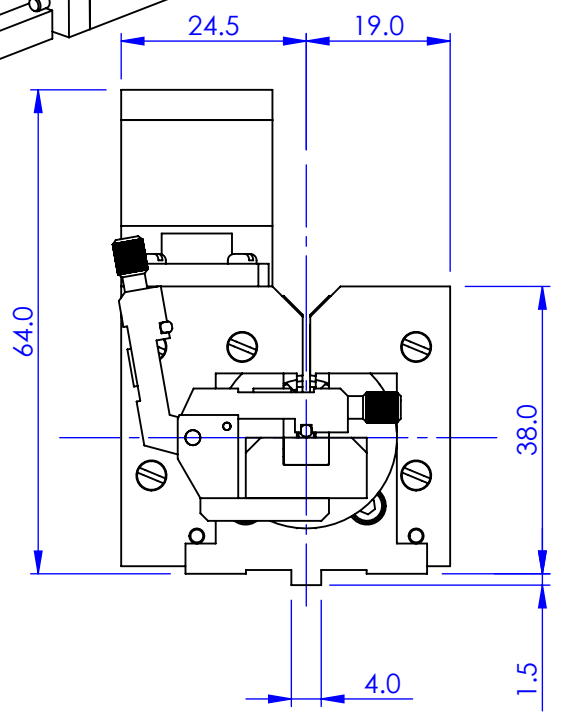
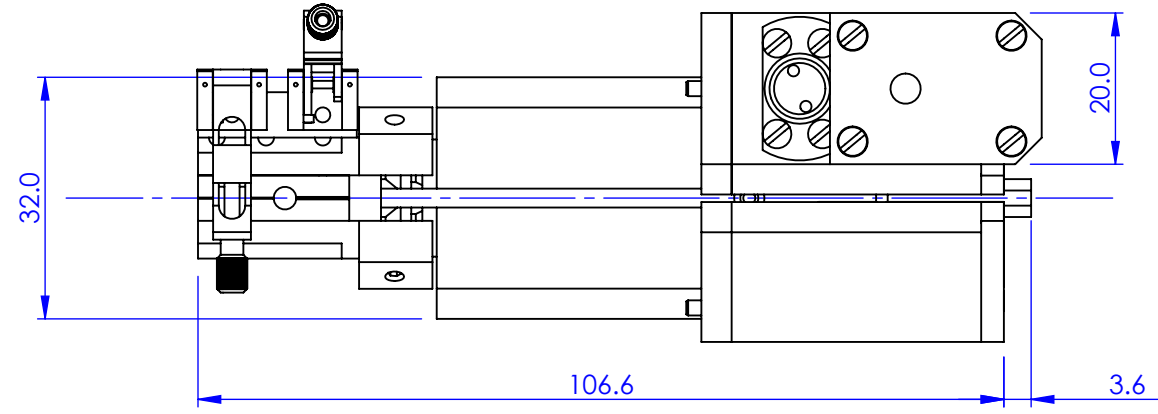


REVISONS		DATE	APPROVED
REV.	DESCRIPTION		



GENERAL VIEW
SCALE: 1:1



**PROPRIETARY AND CONFIDENTIAL
COPYRIGHT ELLIOT SCIENTIFIC LTD.**
THE INFORMATION CONTAINED IN THIS
DRAWING IS THE SOLE PROPERTY OF
ELLIOT SCIENTIFIC LTD. REPRODUCTION
IN PART OR AS A WHOLE WITHOUT WRITTEN
PERMISSION IS PROHIBITED.

DIMENSIONS ARE IN mm
GENERAL TOLERANCES: ± 0.1
ANGULAR TOLERANCES: \pm
SURFACE FINISH:
ALL BURRS, SHARP EDGES
AND CORNERS TO BE
REMOVED

AUTHOR	NAME	DATE
GW	GW	09/08/2010
CHECKED	--	--
MATERIAL		
FINISH		
DO NOT SCALE DRAWING		

Elliot Scientific

TITLE
MOTORISED FIBRE ROTATOR

SIZE **A4** DWG. NO. **MDE235**

SCALE: 1:1 THIRD ANGLE PROJECTION SHEET 1 OF 1