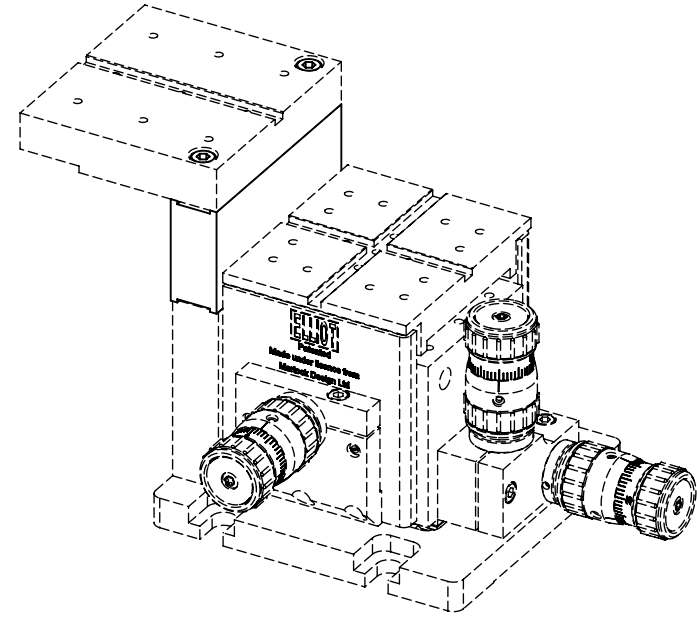
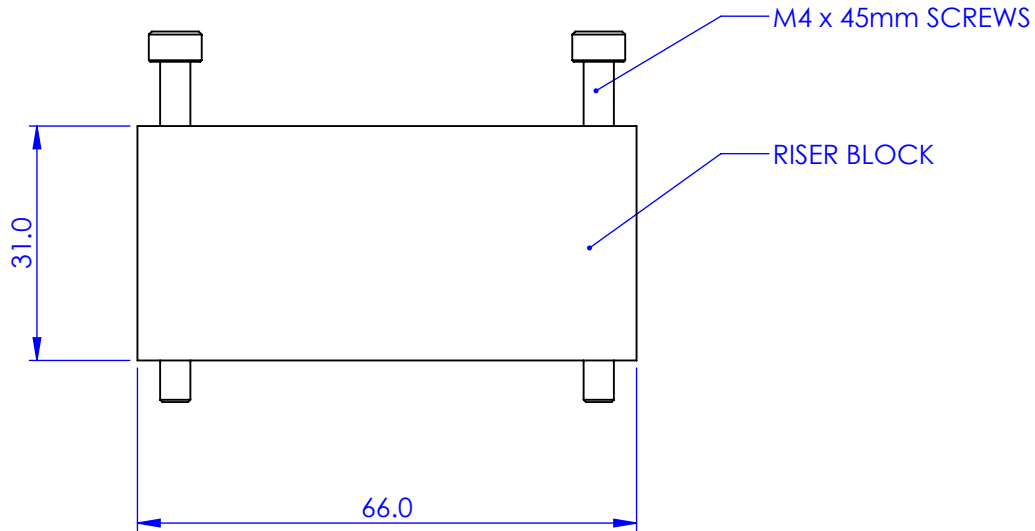


| REV. NO. | | REVISIONS | DATE | APPROVED |
|----------|--|-------------|------|----------|
| 1 | | DESCRIPTION | | |
| 2 | | | | |



APPLICATION EXAMPLE

PROPRIETARY AND CONFIDENTIAL
COPYRIGHT ELLIOT SCIENTIFIC Ltd.
 THE INFORMATION CONTAINED IN THIS DRAWING IS THE SOLE PROPERTY OF ELLIOT SCIENTIFIC LTD. REPRODUCTION IN PART OR AS A WHOLE WITHOUT WRITTEN PERMISSION IS PROHIBITED.

DIMENSIONS ARE IN mm
 GENERAL TOLERANCES: ± 0.1
 ANGULAR TOLERANCES: \pm
 SURFACE FINISH:
 ALL BURRS, SHARP EDGES
 AND CORNERS TO BE
 REMOVED

| NAME | DATE |
|----------------------|------------|
| AUTHOR GW | 12/07/2010 |
| CHECKED -- | -- |
| MATERIAL -- | |
| FINISH -- | |
| DO NOT SCALE DRAWING | |

| | | | |
|-----------|----------|------------------------|--------------|
| | | TITLE | |
| | | RISER BLOCK ASSEMBLY | |
| SIZE | DWG. NO. | | |
| A4 | MDE190 | | |
| SCALE:1:1 | | THIRD ANGLE PROJECTION | SHEET 1 OF 1 |