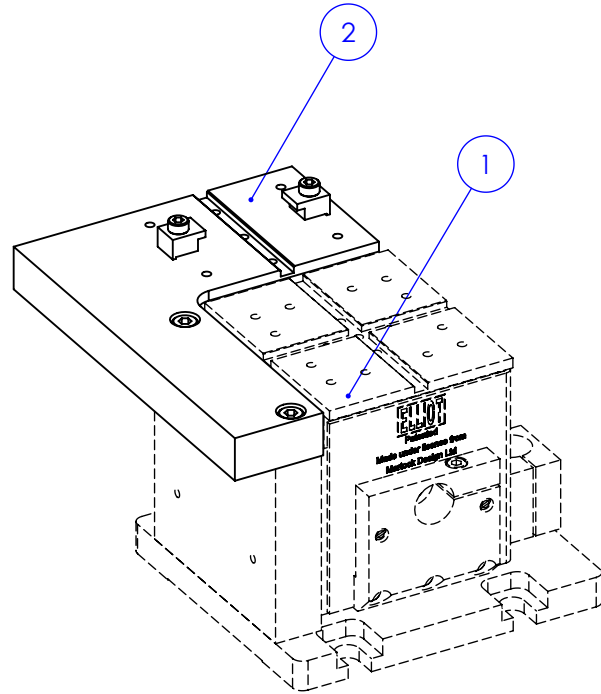
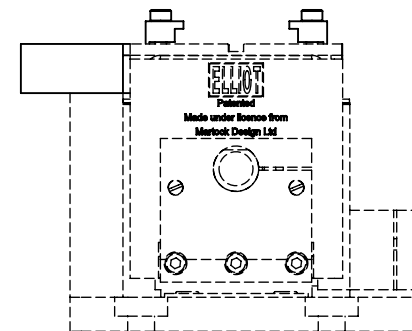
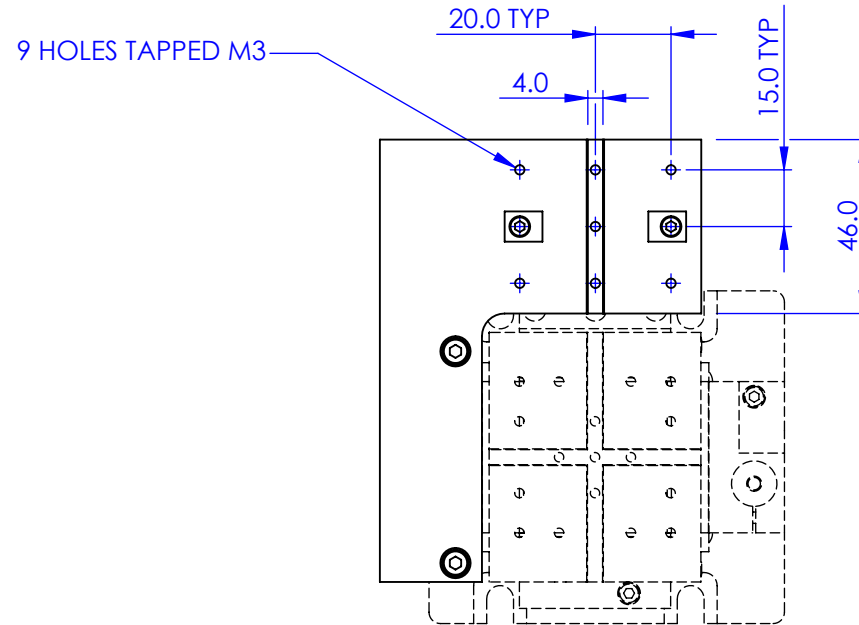


PART NO.	ITEM NO.	QTY	DESCRIPTION
MDE330	1	1	XYZ FLEXURE STAGE
MDE149	2	1	SIDE PLATFORM ASSEMBLY

NB FLEXURE STAGE NOT INCLUDED



GENERAL VIEW
SCALE: 1:2



REV.	REVISIONS	DESCRIPTION	DATE	APPROVED

PROPRIETARY AND CONFIDENTIAL
COPYRIGHT ELLIOT SCIENTIFIC Ltd.
THE INFORMATION CONTAINED IN THIS DRAWING IS THE SOLE PROPERTY OF ELLIOT SCIENTIFIC LTD. REPRODUCTION IN PART OR AS A WHOLE WITHOUT WRITTEN PERMISSION IS PROHIBITED.

DIMENSIONS ARE IN mm
GENERAL TOLERANCES: ± 0.1
ANGULAR TOLERANCES: \pm
SURFACE FINISH:
ALL BURRS, SHARP EDGES
AND CORNERS TO BE
REMOVED

NAME	DATE
AUTHOR GW	18/10/2005
CHECKED --	--
MATERIAL	
FINISH --	
DO NOT SCALE DRAWING	

		TITLE	
		SIDE PLATFORM	
SIZE	DWG. NO.	A4	
MDE149		SCALE:1:2	
THIRD ANGLE PROJECTION		SHEET 1 OF 1	