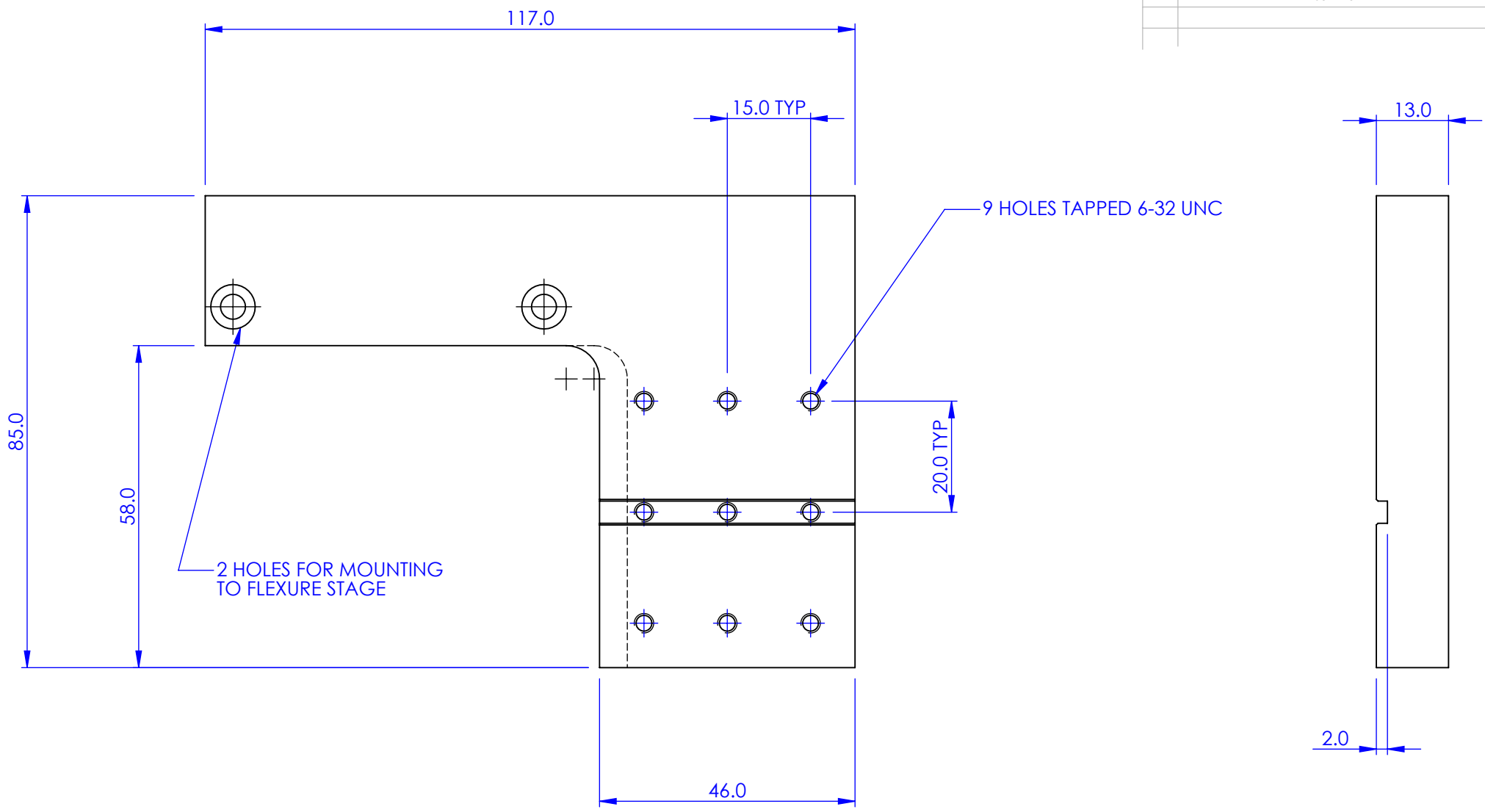


REV. NO.		REVISIONS	DATE	APPROVED
		DESCRIPTION		



PLATFORM SUPPLIED WITH 2 MOUNTING SCREWS, CLAMP SET AND HEX KEY

**PROPRIETARY AND CONFIDENTIAL**  
**COPYRIGHT ELLIOT SCIENTIFIC Ltd.**  
 THE INFORMATION CONTAINED IN THIS DRAWING IS THE SOLE PROPERTY OF ELLIOT SCIENTIFIC LTD. REPRODUCTION IN PART OR AS A WHOLE WITHOUT WRITTEN PERMISSION IS PROHIBITED.

DIMENSIONS ARE IN mm  
 GENERAL TOLERANCES:  $\pm 0.1$   
 ANGULAR TOLERANCES:  $\pm$   
 SURFACE FINISH:  
 ALL BURRS, SHARP EDGES  
 AND CORNERS TO BE  
 REMOVED

AUTHOR	NAME	DATE
GW	GW	12/07/2010
CHECKED	--	--

MATERIAL	ALUMINIUM ALLOY
FINISH	ANODISED BLACK
DO NOT SCALE DRAWING	

**Elliot Scientific**

TITLE: **SIDE PLATFORM**

SIZE: **A4** DWG. NO.: **MDE149E**

SCALE: 1:1 THIRD ANGLE PROJECTION SHEET 1 OF 1