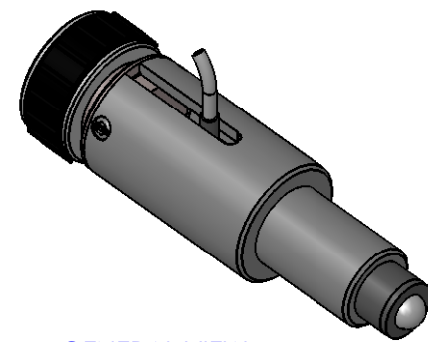
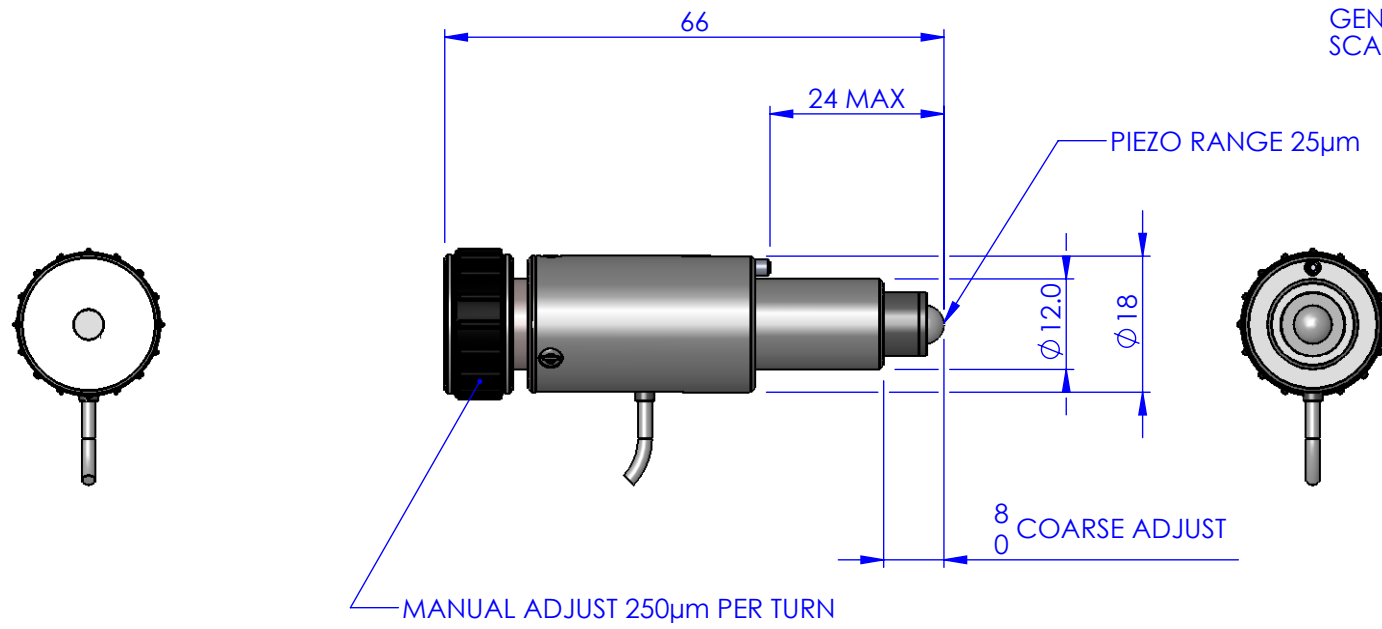


REV.	REVISIONS	DATE	APPROVED
	DESCRIPTION		



GENERAL VIEW  
SCALE: 1:1



**PROPRIETARY AND CONFIDENTIAL**  
**COPYRIGHT ELLIOT SCIENTIFIC Ltd.**  
 THE INFORMATION CONTAINED IN THIS  
 DRAWING IS THE SOLE PROPERTY OF  
 ELLIOT SCIENTIFIC LTD. REPRODUCTION  
 IN PART OR AS A WHOLE WITHOUT WRITTEN  
 PERMISSION IS PROHIBITED.

DIMENSIONS ARE IN mm  
 GENERAL TOLERANCES:  $\pm 0.1$   
 ANGULAR TOLERANCES:  $\pm$   
 SURFACE FINISH:  
 ALL BURRS, SHARP EDGES  
 AND CORNERS TO BE  
 REMOVED

	NAME	DATE
AUTHOR	GW	30/04/2008
CHECKED	--	--
MATERIAL		
FINISH		
DO NOT SCALE DRAWING		

		TITLE	
		PIEZO ADJUSTER	
SIZE	DWG. NO.		
A4	MDE218		
SCALE:1:1		THIRD ANGLE PROJECTION	SHEET 1 OF 1