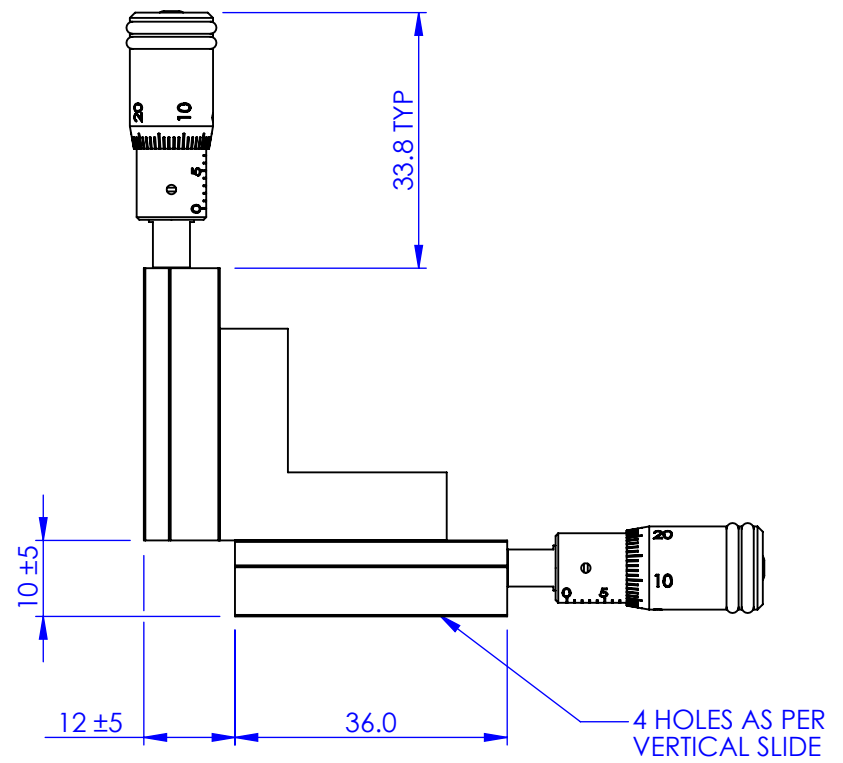
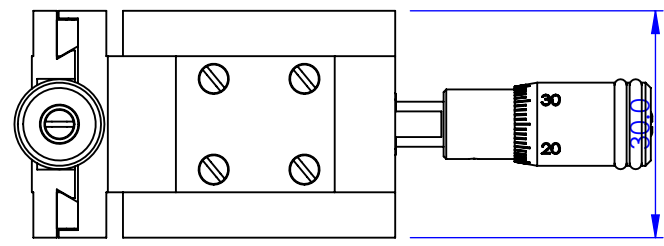
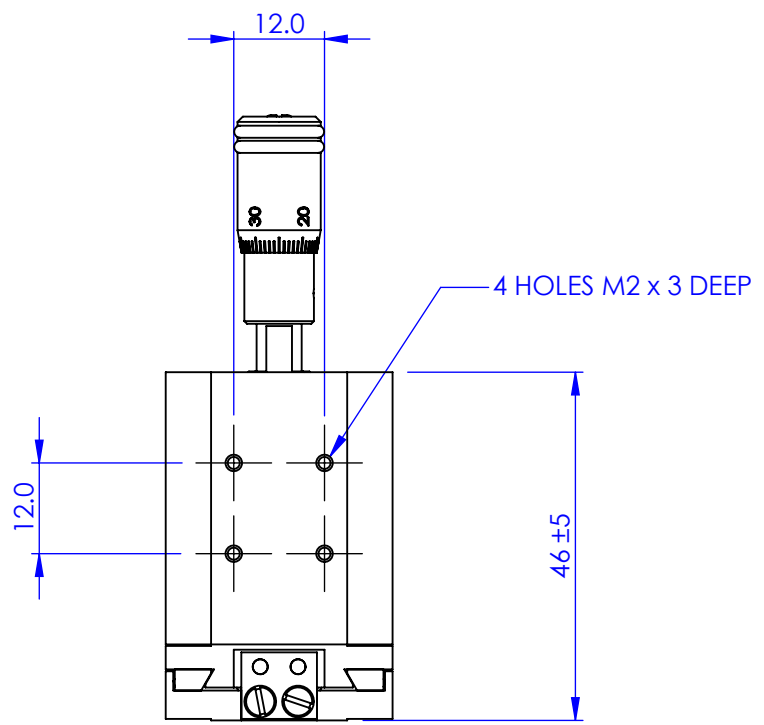


REV.	REVISIONS	DATE	APPROVED
	DESCRIPTION		



PROPRIETARY AND CONFIDENTIAL
COPYRIGHT ELLIOT SCIENTIFIC Ltd.
 THE INFORMATION CONTAINED IN THIS
 DRAWING IS THE SOLE PROPERTY OF
 ELLIOT SCIENTIFIC LTD. REPRODUCTION
 IN PART OR AS A WHOLE WITHOUT WRITTEN
 PERMISSION IS PROHIBITED.

DIMENSIONS ARE IN mm
 GENERAL TOLERANCES: ± 0.1
 ANGULAR TOLERANCES: ±
 SURFACE FINISH:
 ALL BURRS, SHARP EDGES
 AND CORNERS TO BE
 REMOVED

NAME	DATE
AUTHOR GW	11/05/2010
CHECKED --	--

MATERIAL
**STAINLESS STEEL,
 BRASS, ALUM. ALLOY**

FINISH
 --

DO NOT SCALE DRAWING

Elliot Scientific

TITLE
XZ DOVETAIL SLIDE

SIZE
A4

DWG. NO.
MDE255M-XZ

SCALE:1:1
 THIRD ANGLE PROJECTION
 SHEET 1 OF 1