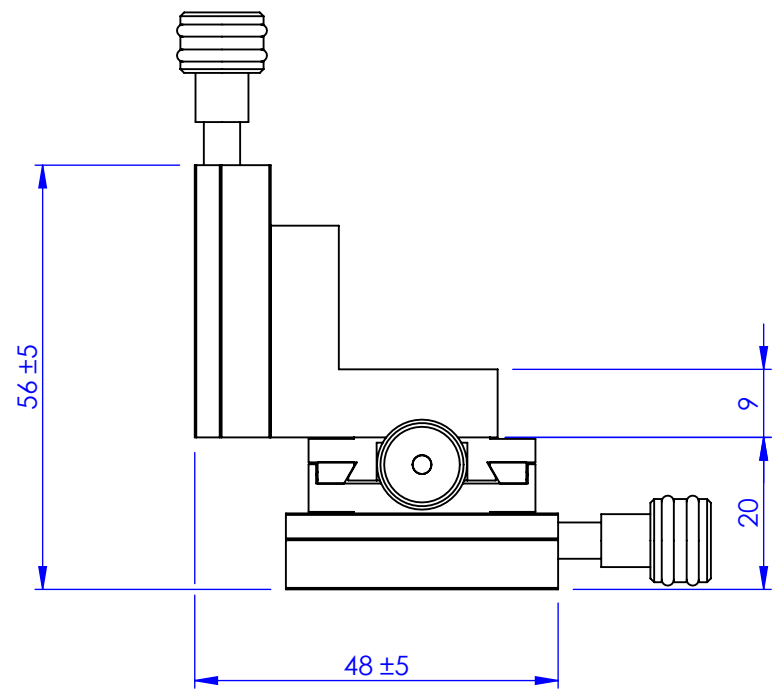
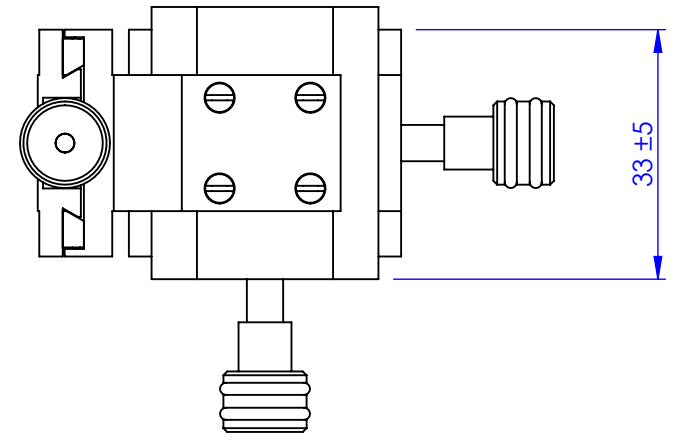
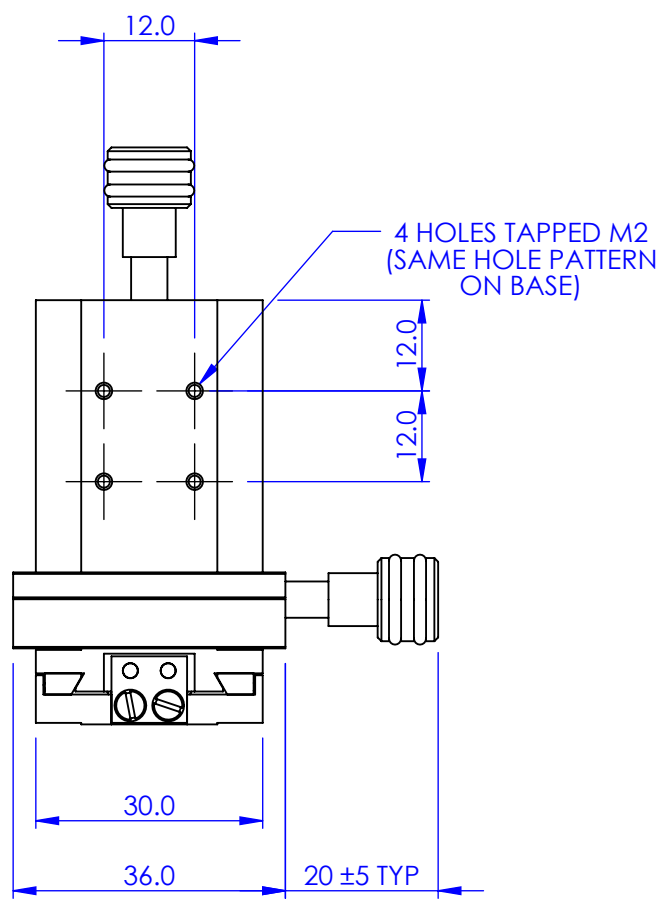


REV.	REVISIONS	DESCRIPTION	DATE	APPROVED

ALL THREE AXES ±5mm TRAVEL



PROPRIETARY AND CONFIDENTIAL
COPYRIGHT ELLIOT SCIENTIFIC Ltd.
 THE INFORMATION CONTAINED IN THIS
 DRAWING IS THE SOLE PROPERTY OF
 ELLIOT SCIENTIFIC LTD. REPRODUCTION
 IN PART OR AS A WHOLE WITHOUT WRITTEN
 PERMISSION IS PROHIBITED.

DIMENSIONS ARE IN mm
 GENERAL TOLERANCES: ± 0.1
 ANGULAR TOLERANCES: ±
 SURFACE FINISH:
 ALL BURRS, SHARP EDGES
 AND CORNERS TO BE
 REMOVED

AUTHOR	NAME	DATE
GW	GW	11/05/2010
CHECKED	--	--
MATERIAL STAINLESS STEEL, BRASS, ALUM. ALLOY		
FINISH --		
DO NOT SCALE DRAWING		

Elliot Scientific

TITLE
3-Axis Micropositioner

SIZE **A4** DWG. NO. **MDE259**

SCALE:1:1 THIRD ANGLE PROJECTION SHEET 1 OF 1