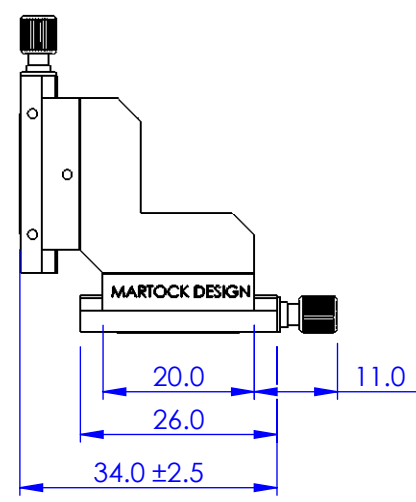
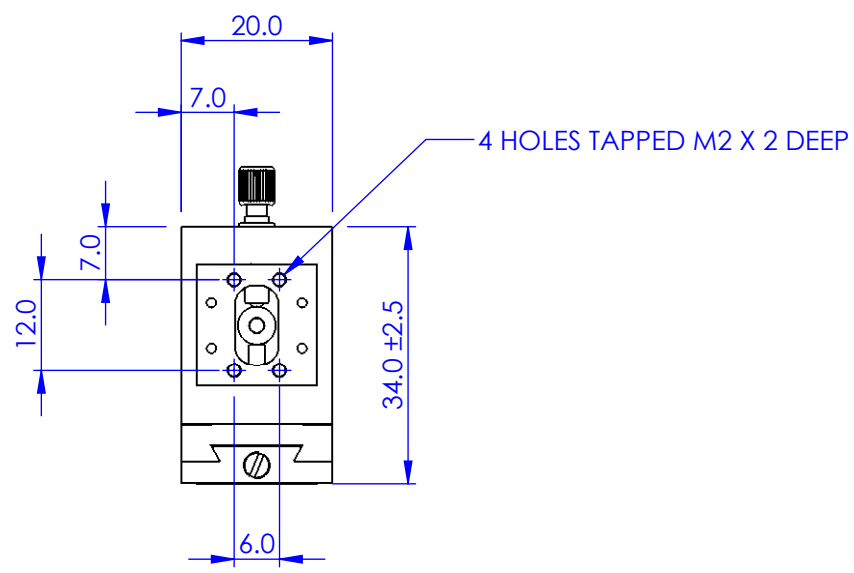
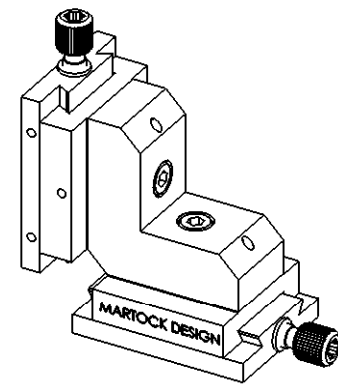
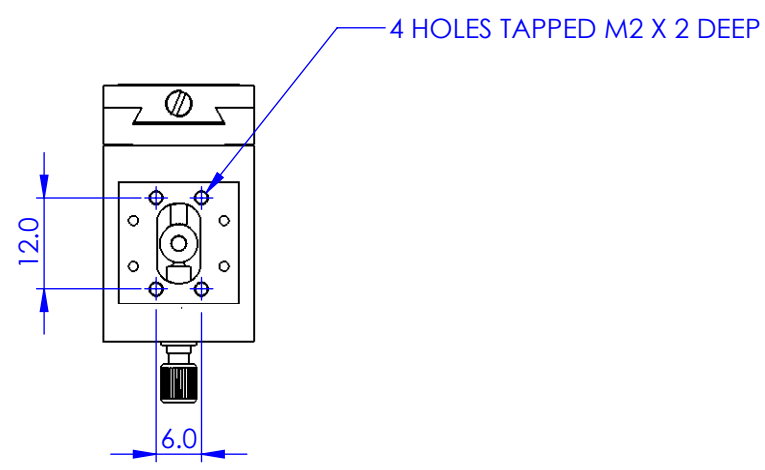


REV.	REVISIONS	DESCRIPTION	DATE	APPROVED



EACH AXIS HAS ±2.5mm OF TRAVEL



GENERAL VIEW
SCALE: 1:1

PROPRIETARY AND CONFIDENTIAL
COPYRIGHT ELLIOT SCIENTIFIC Ltd.
 THE INFORMATION CONTAINED IN THIS DRAWING IS THE SOLE PROPERTY OF ELLIOT SCIENTIFIC LTD. REPRODUCTION IN PART OR AS A WHOLE WITHOUT WRITTEN PERMISSION IS PROHIBITED.

DIMENSIONS ARE IN mm
 GENERAL TOLERANCES: ± 0.1
 ANGULAR TOLERANCES: ±
 SURFACE FINISH:
 ALL BURRS, SHARP EDGES
 AND CORNERS TO BE
 REMOVED

NAME	DATE
AUTHOR GW	11/05/2010
CHECKED --	--
MATERIAL STAINLESS STEEL, ALUM. ALLOY	
FINISH --	
DO NOT SCALE DRAWING	

		TITLE	
		XZ DOVETAILED SLIDE	
SIZE	DWG. NO.	SHEET 1 OF 1	
A4	MDE261-XZ	SCALE: 1:1	THIRD ANGLE PROJECTION