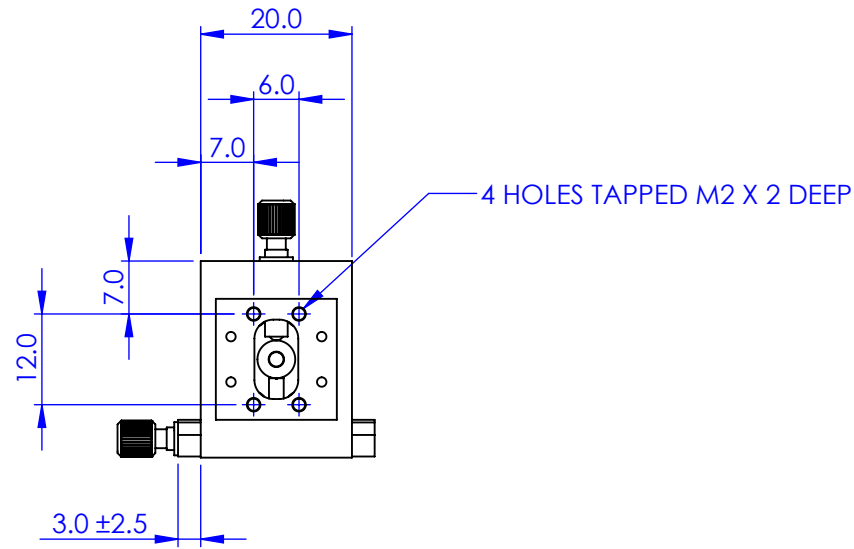
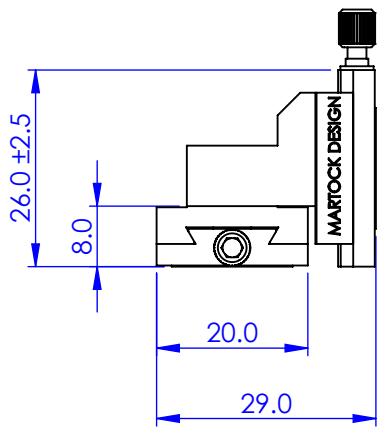
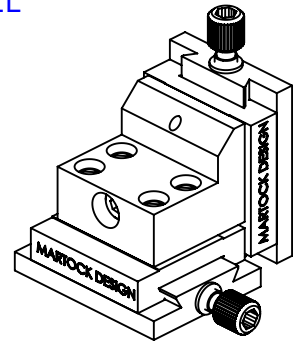
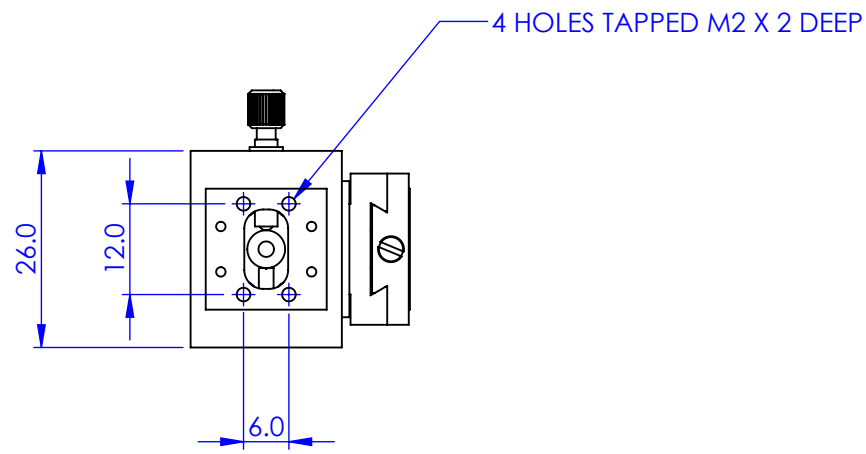


REV.	REVISIONS	DATE	APPROVED
	DESCRIPTION		



EACH AXIS HAS ±2.5mm OF TRAVEL



GENERAL VIEW
SCALE 1:1

PROPRIETARY AND CONFIDENTIAL
COPYRIGHT ELLIOT SCIENTIFIC Ltd.
 THE INFORMATION CONTAINED IN THIS
 DRAWING IS THE SOLE PROPERTY OF
 ELLIOT SCIENTIFIC LTD. REPRODUCTION
 IN PART OR AS A WHOLE WITHOUT WRITTEN
 PERMISSION IS PROHIBITED.

DIMENSIONS ARE IN mm
 GENERAL TOLERANCES: ± 0.1
 ANGULAR TOLERANCES: ±
 SURFACE FINISH:
 ALL BURRS, SHARP EDGES
 AND CORNERS TO BE
 REMOVED

	NAME	DATE
AUTHOR	GW	12/05/2010
CHECKED	--	--
MATERIAL	STAINLESS STEEL, ALUM. ALLOY	
FINISH	--	
DO NOT SCALE DRAWING		

		TITLE	
		Y-Z SLIDE ASSEMBLY	
SIZE	DWG. NO.		
A4	MD261-YZ		
SCALE:1:1		THIRD ANGLE PROJECTION	SHEET 1 OF 1