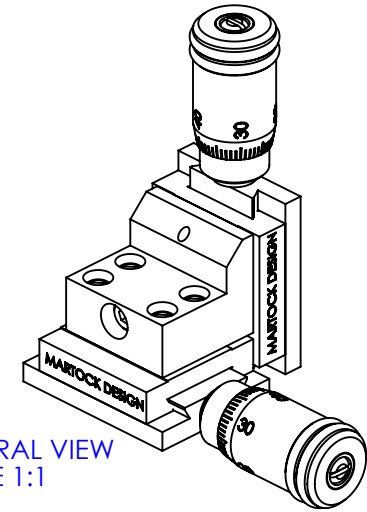
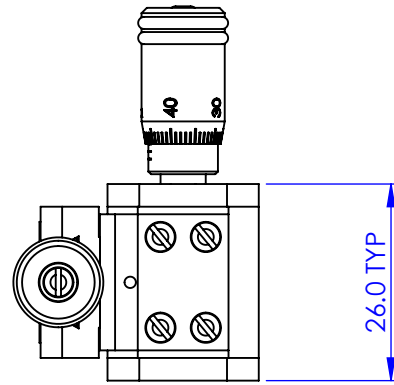
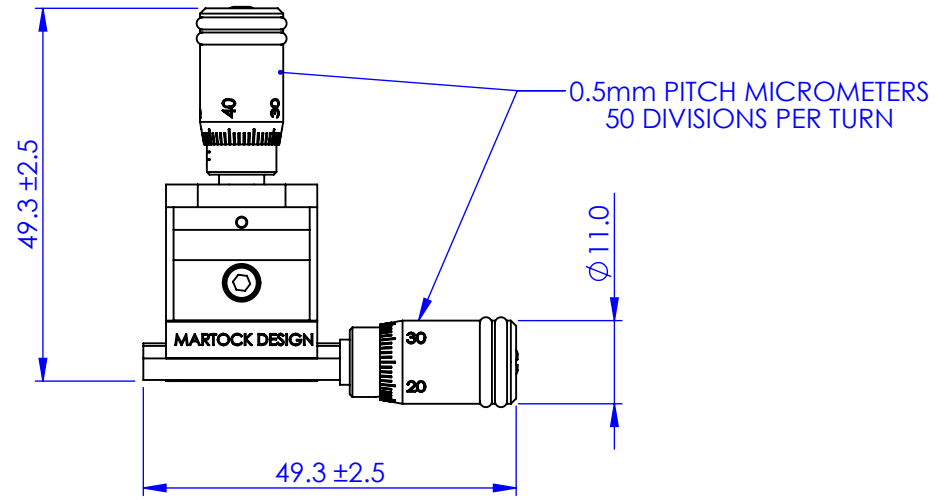
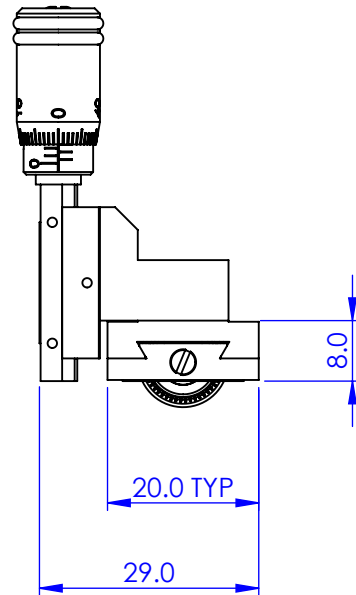
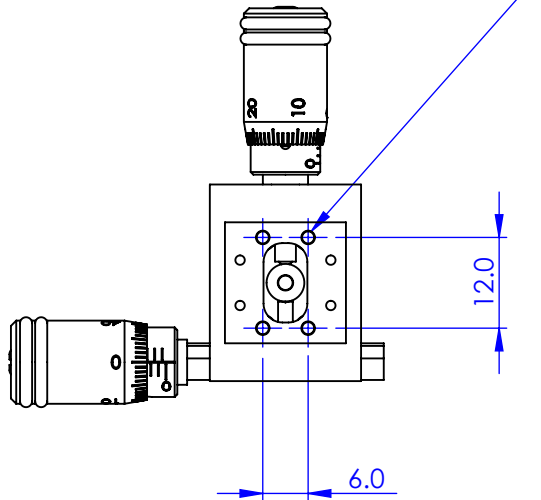


REV.	REVISIONS	DATE	APPROVED
	DESCRIPTION		



GENERAL VIEW
SCALE 1:1

4 HOLES TAPPED M2 X 2 DEEP



PROPRIETARY AND CONFIDENTIAL
COPYRIGHT ELLIOT SCIENTIFIC Ltd.
THE INFORMATION CONTAINED IN THIS DRAWING IS THE SOLE PROPERTY OF ELLIOT SCIENTIFIC LTD. REPRODUCTION IN PART OR AS A WHOLE WITHOUT WRITTEN PERMISSION IS PROHIBITED.

DIMENSIONS ARE IN mm
GENERAL TOLERANCES: ± 0.1
ANGULAR TOLERANCES: \pm
SURFACE FINISH:
ALL BURRS, SHARP EDGES
AND CORNERS TO BE
REMOVED

NAME	DATE
AUTHOR GW	09/06/2006
CHECKED --	--
MATERIAL STAINLESS STEEL, ALUM. ALLOY	
FINISH --	
DO NOT SCALE DRAWING	

Elliot Scientific		TITLE	
		Y-Z SLIDE ASSY WITH MICROMETERS	
SIZE	DWG. NO.		
A4	MDE261M-YZ		
SCALE:1:1		THIRD ANGLE PROJECTION	
		SHEET 1 OF 1	