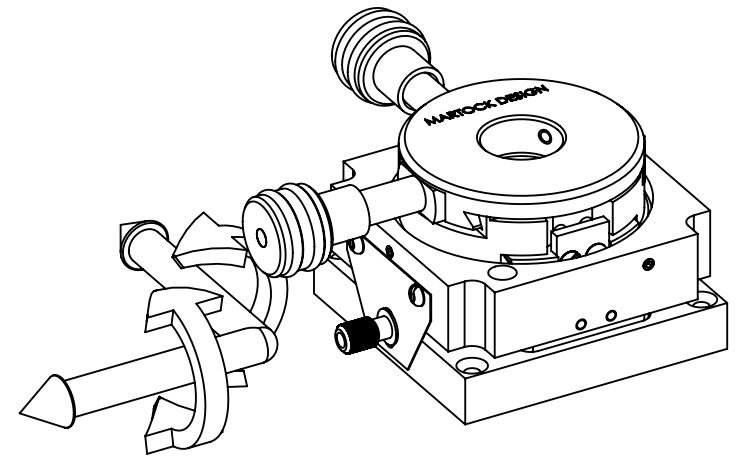


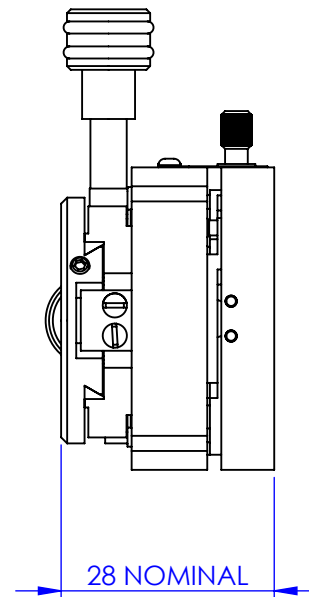
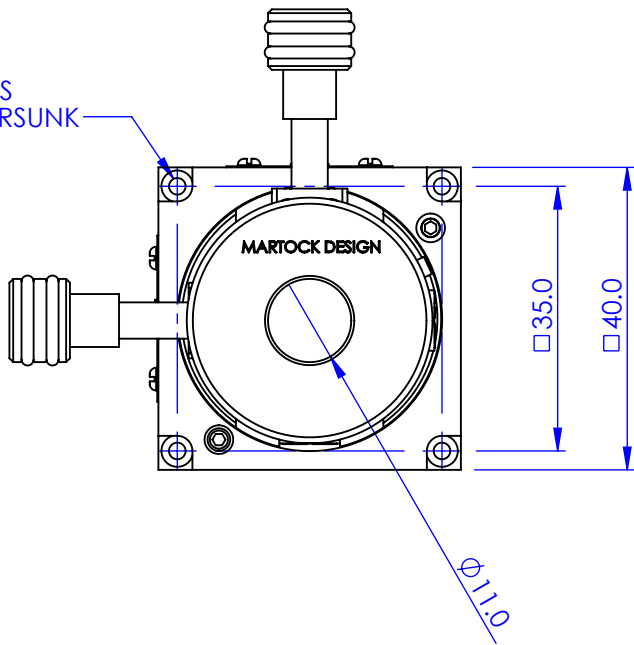
REV.	REVISIONS	DESCRIPTION	DATE	APPROVED

3° ROTATION AXES
±1mm TRANSLATION AXES



GENERAL VIEW SHOWING ROTATION AND TRANSLATION AXES

4 HOLES
M2 COUNTERSUNK



PROPRIETARY AND CONFIDENTIAL
COPYRIGHT ELLIOT SCIENTIFIC Ltd.
THE INFORMATION CONTAINED IN THIS DRAWING IS THE SOLE PROPERTY OF ELLIOT SCIENTIFIC LTD. REPRODUCTION IN PART OR AS A WHOLE WITHOUT WRITTEN PERMISSION IS PROHIBITED.

DIMENSIONS ARE IN mm
GENERAL TOLERANCES: ± 0.1
ANGULAR TOLERANCES: ±
SURFACE FINISH:
ALL BURRS, SHARP EDGES
AND CORNERS TO BE
REMOVED

	NAME	DATE
AUTHOR	GW	01/06/2010
CHECKED	--	--
MATERIAL	--	--
FINISH	--	--
DO NOT SCALE DRAWING		

		TITLE	
		4 AXIS MICROPOSITIONER	
SIZE	DWG. NO.	SHEET 1 OF 1	
A4	MDE276	SCALE:1:1	THIRD ANGLE PROJECTION