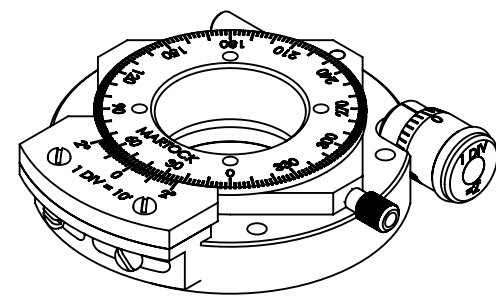
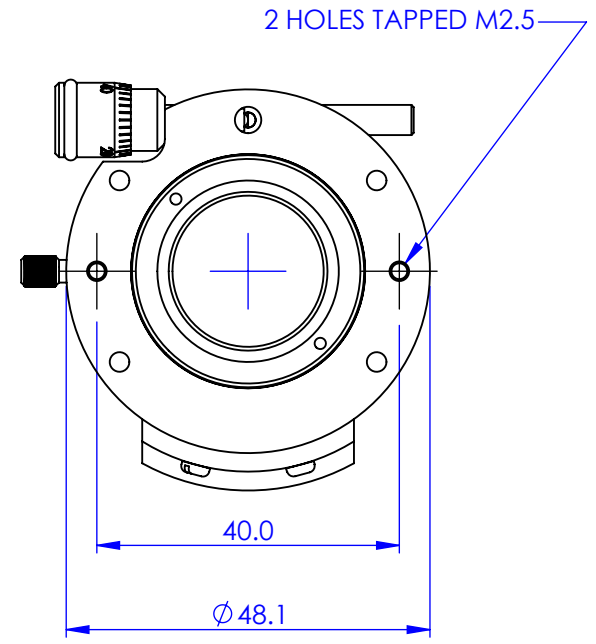
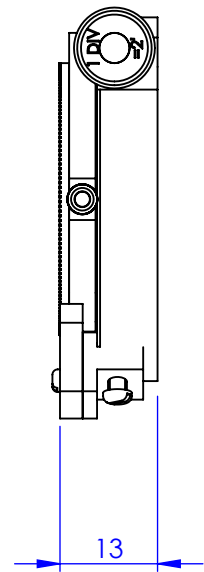
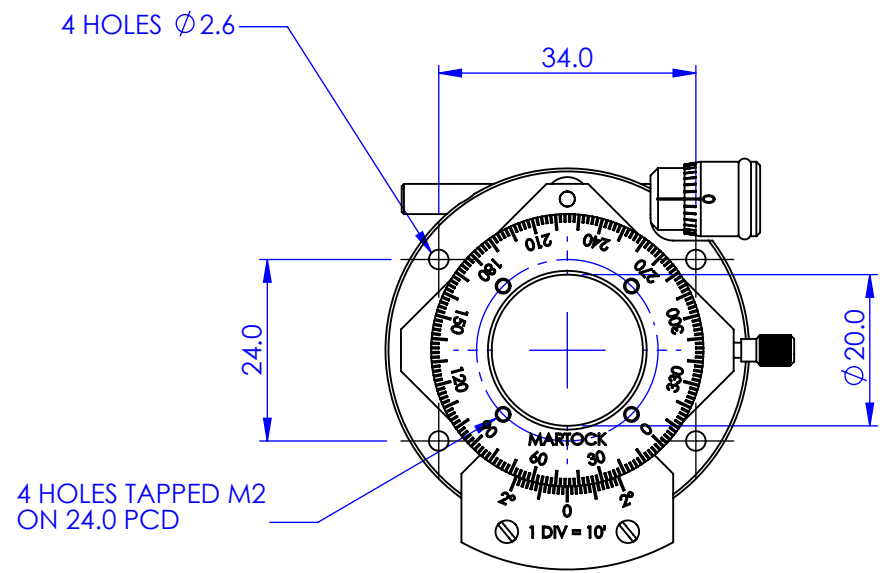


REV.	REVISIONS DESCRIPTION	DATE	APPROVED



GENERAL VIEW  
SCALE: 1:1

**PROPRIETARY AND CONFIDENTIAL**  
**COPYRIGHT ELLIOT SCIENTIFIC Ltd.**  
 THE INFORMATION CONTAINED IN THIS DRAWING IS THE SOLE PROPERTY OF ELLIOT SCIENTIFIC LTD. REPRODUCTION IN PART OR AS A WHOLE WITHOUT WRITTEN PERMISSION IS PROHIBITED.

DIMENSIONS ARE IN mm  
 GENERAL TOLERANCES:  $\pm 0.1$   
 ANGULAR TOLERANCES:  $\pm$   
 SURFACE FINISH:  
 ALL BURRS, SHARP EDGES  
 AND CORNERS TO BE  
 REMOVED

AUTHOR	NAME	DATE
GW	GW	02/06/2010
---	---	---
MATERIAL		
FINISH		
---		
DO NOT SCALE DRAWING		



TITLE  
**ROTATION STAGE**  
 SIZE **A4** DWG. NO. **MDE282-20G**