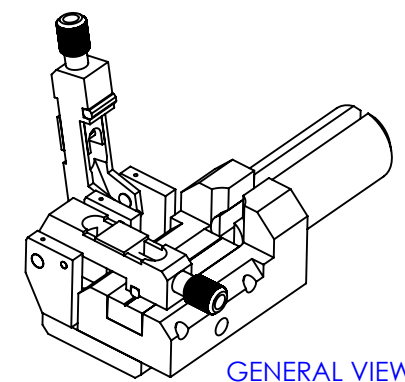
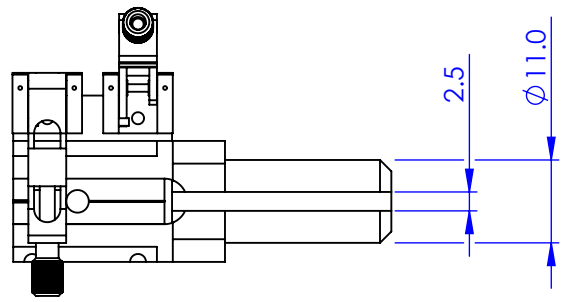
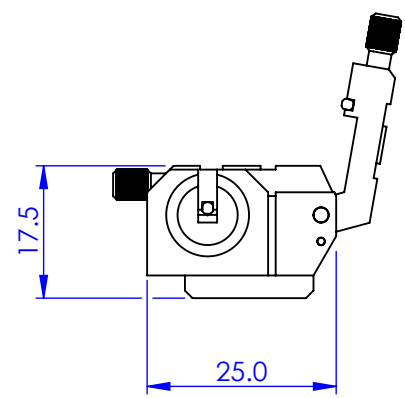
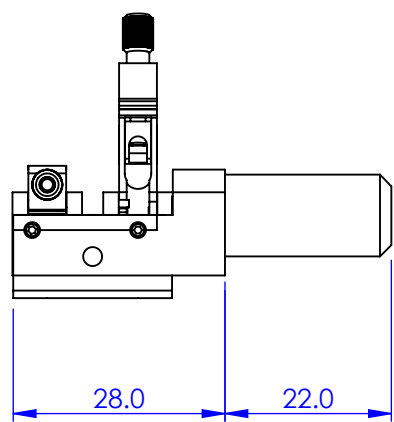
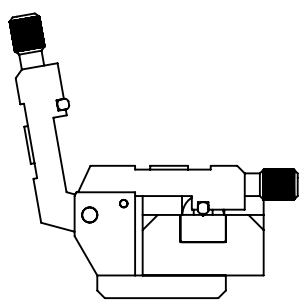


REV.	REVISIONS	DATE	APPROVED
	DESCRIPTION		



GENERAL VIEW  
SCALE 1:1



**PROPRIETARY AND CONFIDENTIAL  
COPYRIGHT ELLIOT SCIENTIFIC Ltd.**  
THE INFORMATION CONTAINED IN THIS  
DRAWING IS THE SOLE PROPERTY OF  
ELLIOT SCIENTIFIC LTD. REPRODUCTION  
IN PART OR AS A WHOLE WITHOUT WRITTEN  
PERMISSION IS PROHIBITED.

DIMENSIONS ARE IN mm  
GENERAL TOLERANCES:  $\pm 0.1$   
ANGULAR TOLERANCES:  $\pm$   
SURFACE FINISH:  
ALL BURRS, SHARP EDGES  
AND CORNERS TO BE  
REMOVED

	NAME	DATE
AUTHOR	GW	10/08/2010
CHECKED	--	--
MATERIAL		
FINISH		
DO NOT SCALE DRAWING		

		TITLE	
		MDE722 FIBRE HOLDER	
SIZE	DWG. NO.		
A4	MDE722		
SCALE:1:1	THIRD ANGLE PROJECTION	SHEET 1 OF 1	