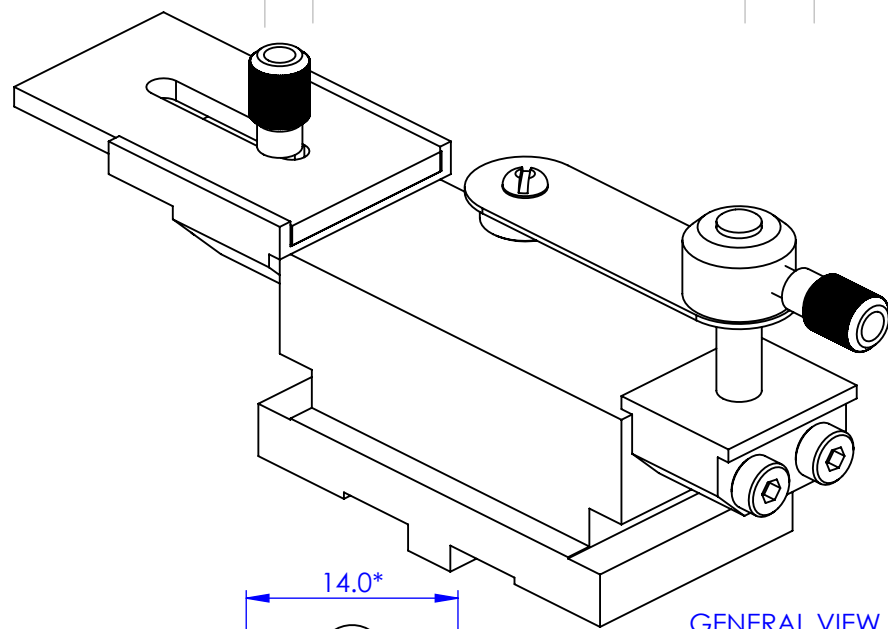
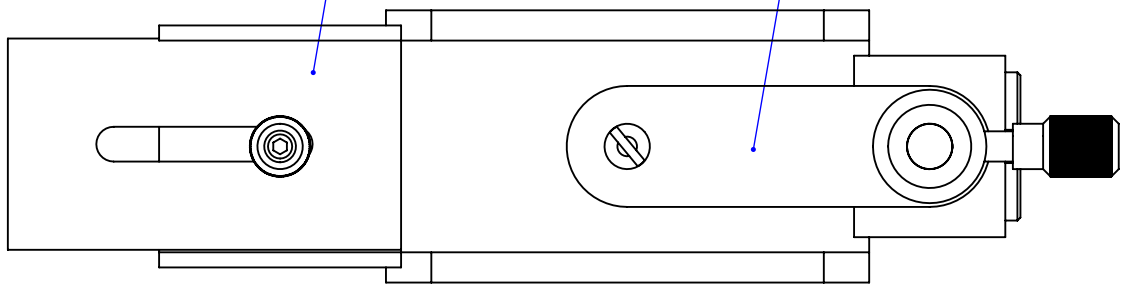
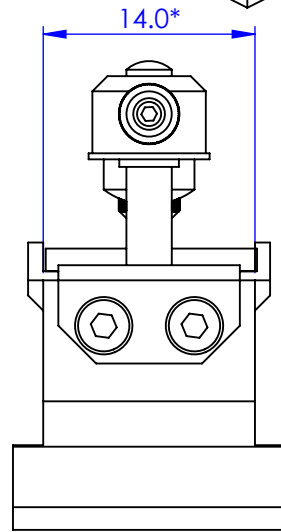
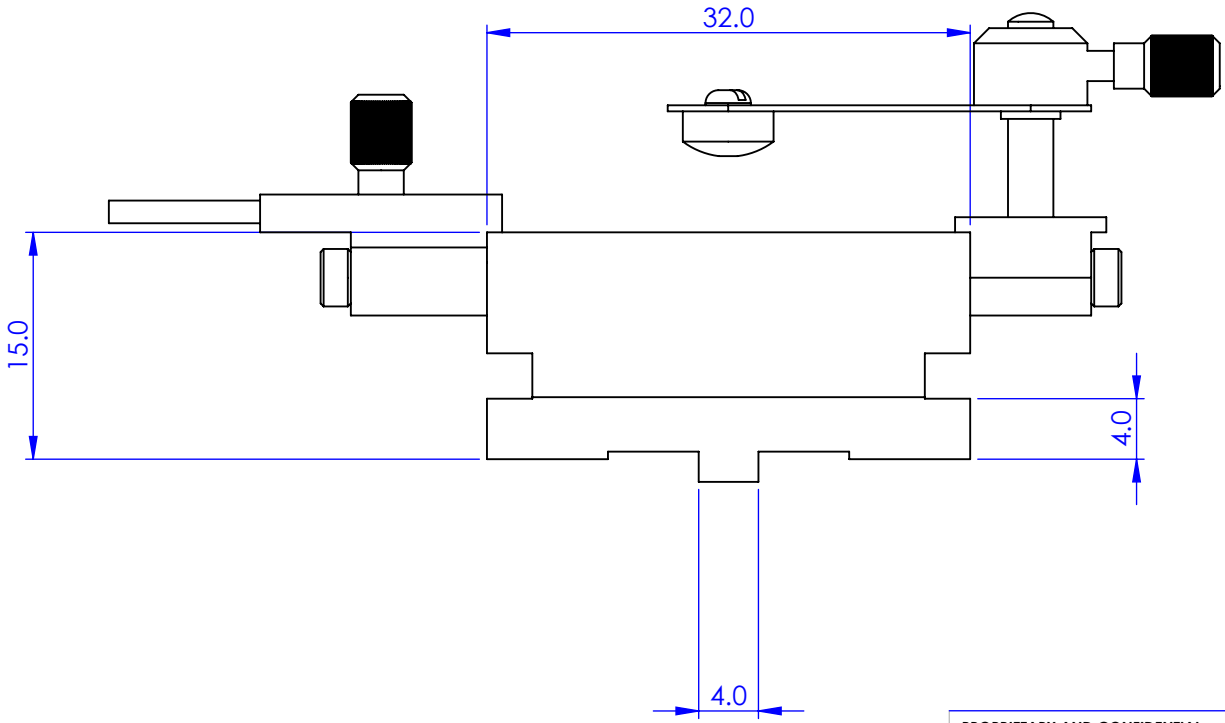


REV. NO.		REVISIONS	DATE	APPROVED
		DESCRIPTION		

ADJUSTABLE END STOP      ADJUSTABLE CLAMP ARM



GENERAL VIEW  
SCALE 2:1



\*STANDARD WIDTHS AVAILABLE  
ARE 10mm, 14mm AND 30mm.  
ORDER MDE743/10, MDE743/14 AND MDE743/30 RESPECTIVELY

**PROPRIETARY AND CONFIDENTIAL  
COPYRIGHT ELLIOT SCIENTIFIC Ltd.**  
THE INFORMATION CONTAINED IN THIS  
DRAWING IS THE SOLE PROPERTY OF  
ELLIOT SCIENTIFIC LTD. REPRODUCTION  
IN PART OR AS A WHOLE WITHOUT WRITTEN  
PERMISSION IS PROHIBITED.

DIMENSIONS ARE IN mm  
GENERAL TOLERANCES:  $\pm 0.1$   
ANGULAR TOLERANCES:  $\pm$   
SURFACE FINISH:  
ALL BURRS, SHARP EDGES  
AND CORNERS TO BE  
REMOVED

	NAME	DATE
AUTHOR	GW	10/08/2010
CHECKED	--	--
MATERIAL	---	
FINISH	---	
DO NOT SCALE DRAWING		

		TITLE	
		WAVEGUIDE MOUNT WITH CLAMP	
SIZE	DWG. NO.		
A4	MDE743		
SCALE:2:1	THIRD ANGLE PROJECTION	SHEET 1 OF 1	