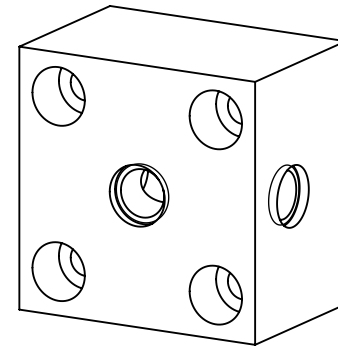
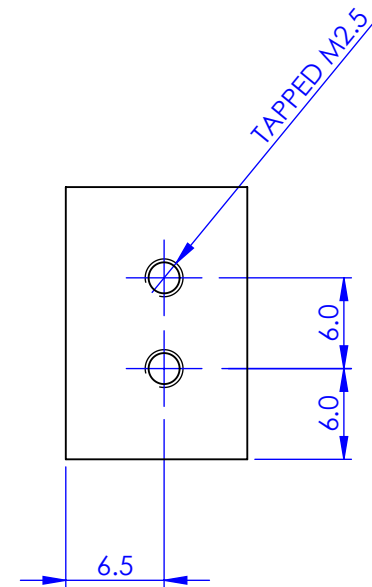
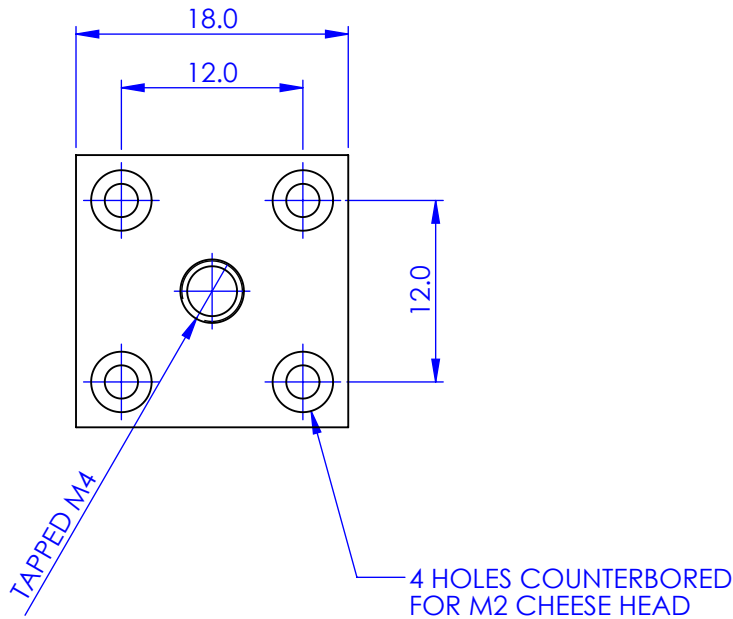
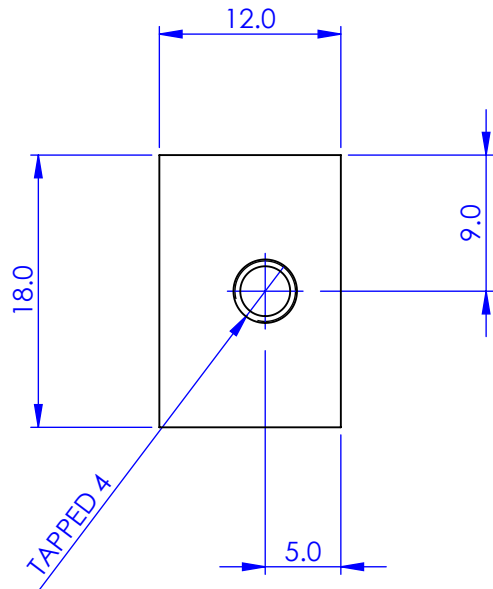


REVISIONS		DATE	APPROVED
REV.	DESCRIPTION		



GENERAL VIEW
SCALE 2:1



PROPRIETARY AND CONFIDENTIAL
COPYRIGHT ELLIOT SCIENTIFIC Ltd.
 THE INFORMATION CONTAINED IN THIS
 DRAWING IS THE SOLE PROPERTY OF
 ELLIOT SCIENTIFIC LTD. REPRODUCTION
 IN PART OR AS A WHOLE WITHOUT WRITTEN
 PERMISSION IS PROHIBITED.

DIMENSIONS ARE IN mm
 GENERAL TOLERANCES: ± 0.1
 ANGULAR TOLERANCES: \pm
 SURFACE FINISH:
 ALL BURRS, SHARP EDGES
 AND CORNERS TO BE
 REMOVED

NAME	DATE
AUTHOR GW	23/03/2010
CHECKED --	--
MATERIAL ALUMINIUM ALLOY	
FINISH ANODISED CLEAR	
DO NOT SCALE DRAWING	

Elliot Scientific

TITLE
POST MOUNT ADAPTER
 SIZE **A4** DWG. NO. **MDE856**