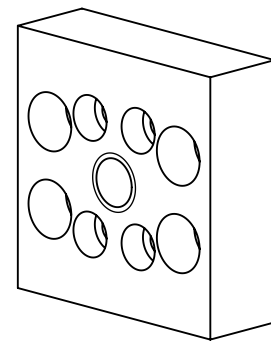
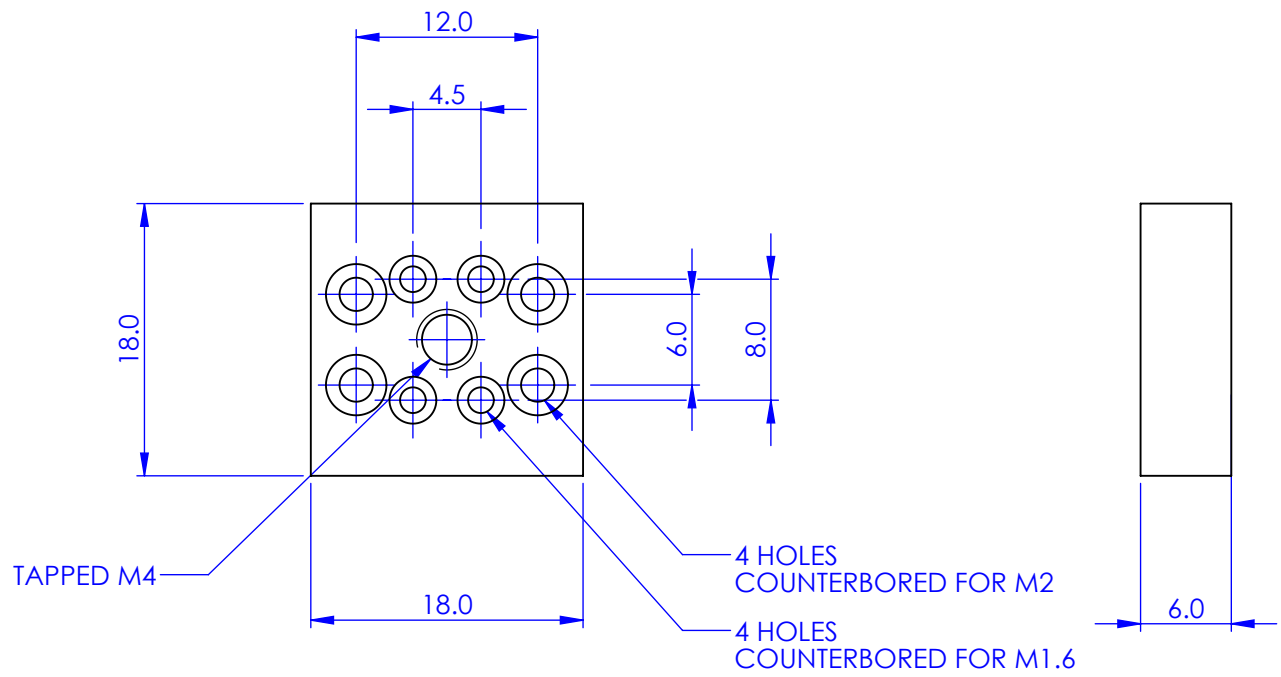


REV.	REVISIONS	DESCRIPTION	DATE	APPROVED



GENERAL VIEW
SCALE 2:1

PROPRIETARY AND CONFIDENTIAL
COPYRIGHT ELLIOT SCIENTIFIC Ltd.
 THE INFORMATION CONTAINED IN THIS DRAWING IS THE SOLE PROPERTY OF ELLIOT SCIENTIFIC LTD. REPRODUCTION IN PART OR AS A WHOLE WITHOUT WRITTEN PERMISSION IS PROHIBITED.

DIMENSIONS ARE IN mm
 GENERAL TOLERANCES: ± 0.1
 ANGULAR TOLERANCES: \pm
 SURFACE FINISH:
 ALL BURRS, SHARP EDGES
 AND CORNERS TO BE
 REMOVED

AUTHOR	NAME	DATE
GW	GW	23/03/2010
CHECKED	--	--

MATERIAL
ALUMINIUM ALLOY

FINISH
ANODISED CLEAR

DO NOT SCALE DRAWING

		TITLE
		HORIZONTAL POST MOUNT
SIZE	DWG. NO.	
A4	MDE857	
SCALE:2:1	THIRD ANGLE PROJECTION	SHEET 1 OF 1