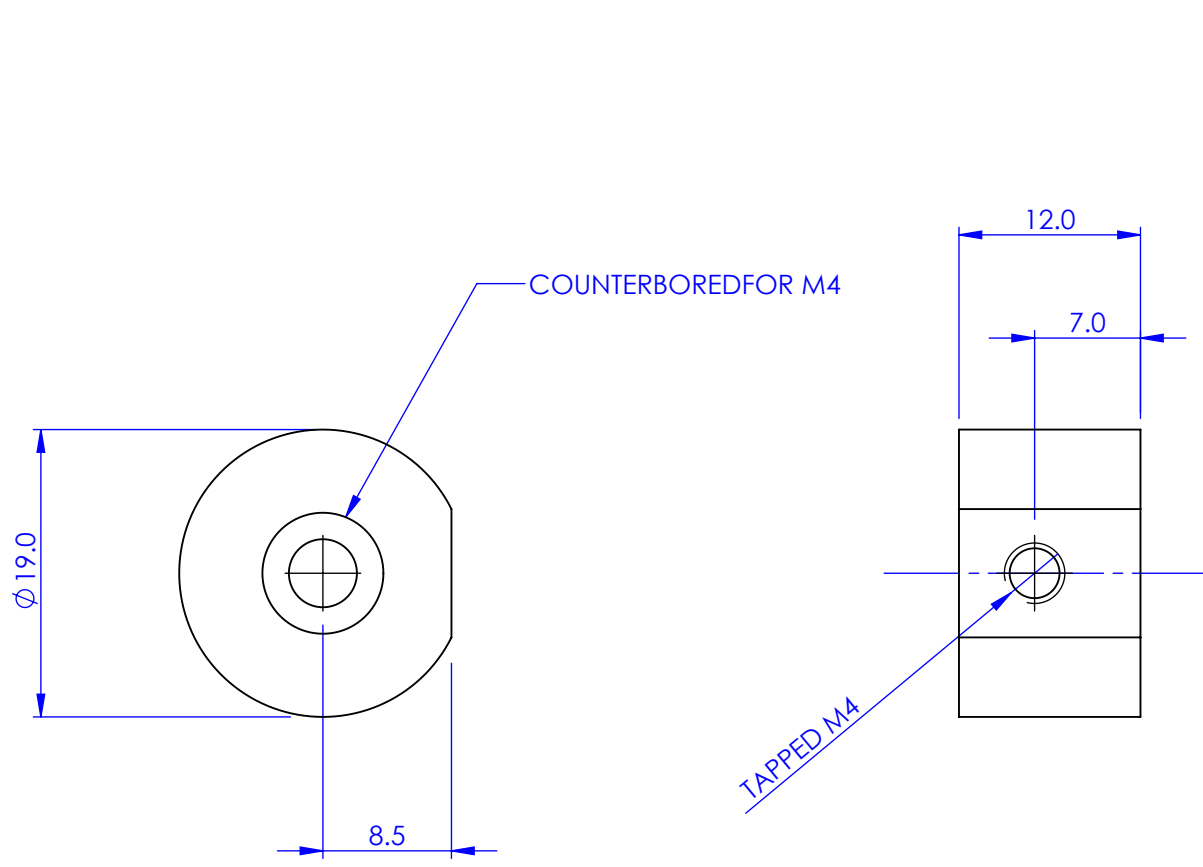


REV.	REVISIONS	DATE	APPROVED
	DESCRIPTION		



**PROPRIETARY AND CONFIDENTIAL**  
**COPYRIGHT ELLIOT SCIENTIFIC Ltd.**  
 THE INFORMATION CONTAINED IN THIS DRAWING IS THE SOLE PROPERTY OF ELLIOT SCIENTIFIC LTD. REPRODUCTION IN PART OR AS A WHOLE WITHOUT WRITTEN PERMISSION IS PROHIBITED.

DIMENSIONS ARE IN mm  
 GENERAL TOLERANCES:  $\pm 0.1$   
 ANGULAR TOLERANCES:  $\pm$   
 SURFACE FINISH:  
 ALL BURRS, SHARP EDGES  
 AND CORNERS TO BE  
 REMOVED

NAME	DATE
AUTHOR GW	23/03/2010
CHECKED --	--

MATERIAL  
**ALUMINIUM ALLOY**

FINISH  
**ANODISED CLEAR**

DO NOT SCALE DRAWING

**Elliot Scientific**

TITLE  
**ADAPTER MOUNT**

SIZE **A4** DWG. NO. **MDE858**

SCALE: 2:1 THIRD ANGLE PROJECTION SHEET 1 OF 1