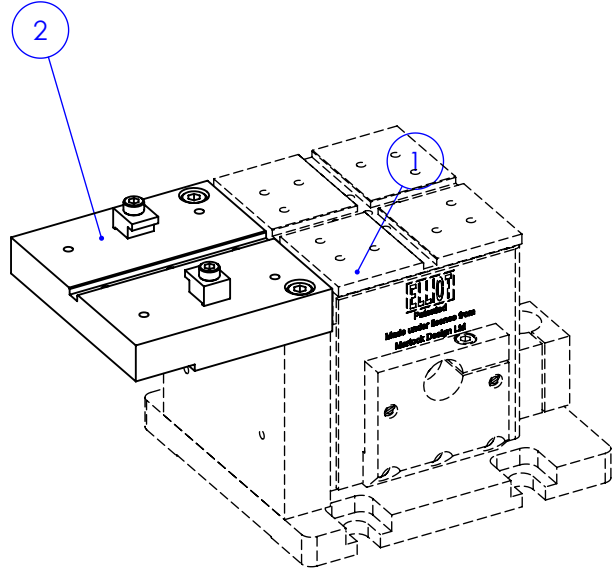


PART NO.	ITEM NO.	QTY	DESCRIPTION
MDE330	1	1	XYZ FLEXURE STAGE
MDE147	2	1	LARGE PLATFORM ASSEMBLY

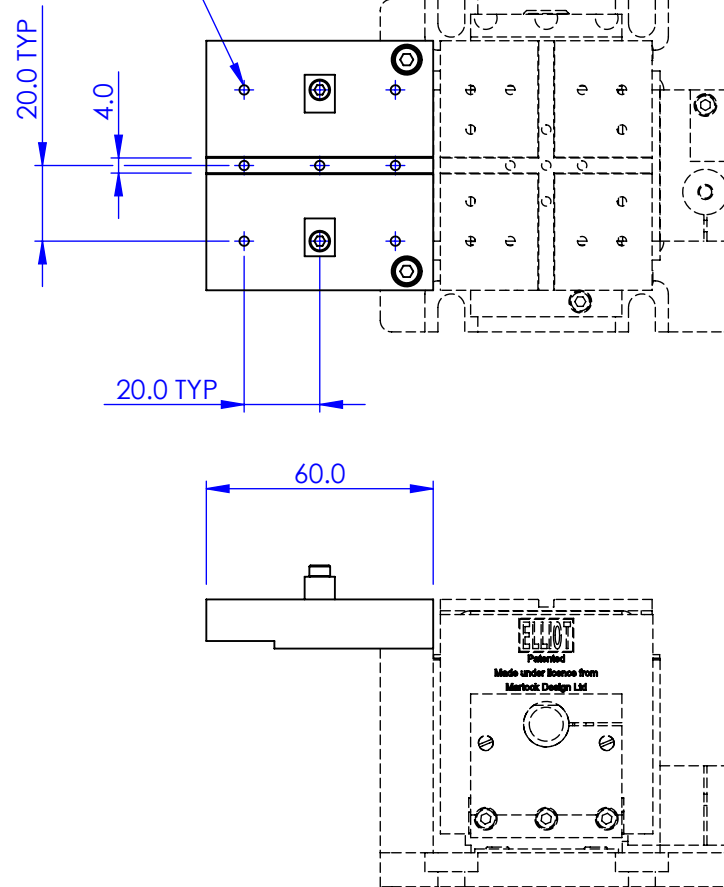
REV.	REVISIONS	DESCRIPTION	DATE	APPROVED

NB FLEXURE STAGE NOT INCLUDED



GENERAL VIEW  
SCALE: 1:2

9 HOLES TAPPED M3



**PROPRIETARY AND CONFIDENTIAL**  
**COPYRIGHT ELLIOT SCIENTIFIC Ltd.**  
THE INFORMATION CONTAINED IN THIS DRAWING IS THE SOLE PROPERTY OF ELLIOT SCIENTIFIC LTD. REPRODUCTION IN PART OR AS A WHOLE WITHOUT WRITTEN PERMISSION IS PROHIBITED.

DIMENSIONS ARE IN mm  
GENERAL TOLERANCES:  $\pm 0.1$   
ANGULAR TOLERANCES:  $\pm$   
SURFACE FINISH:  
ALL BURRS, SHARP EDGES  
AND CORNERS TO BE  
REMOVED

NAME	DATE
AUTHOR GW	18/10/2005
CHECKED --	--
MATERIAL	
FINISH --	
DO NOT SCALE DRAWING	

<b>Elliot Scientific</b>	
TITLE <b>LARGE FIXED PLATFORM</b>	
SIZE <b>A4</b>	DWG. NO. <b>MDE147</b>
DO NOT SCALE DRAWING	SCALE:1:2
THIRD ANGLE PROJECTION	SHEET 1 OF 1