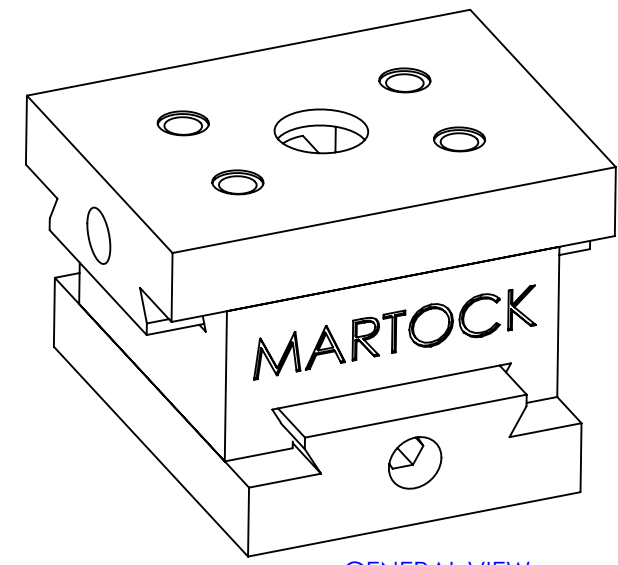
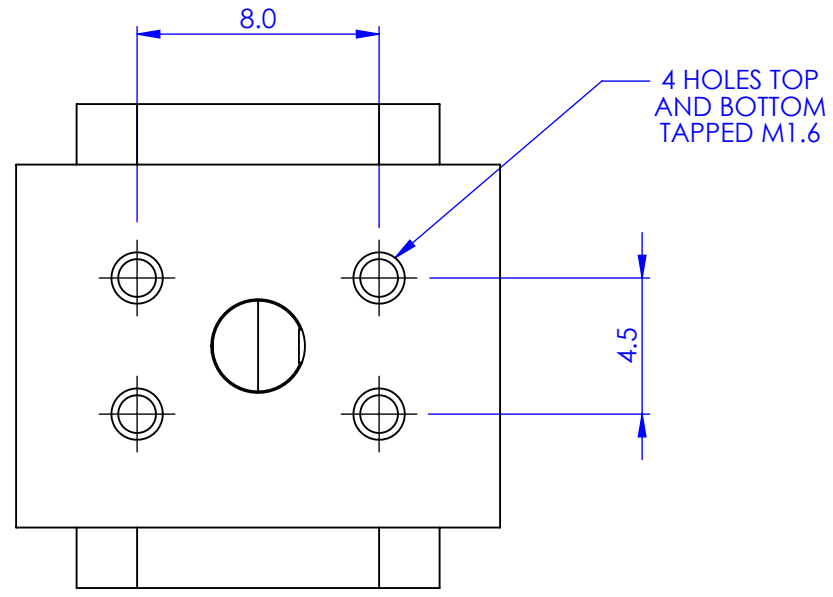
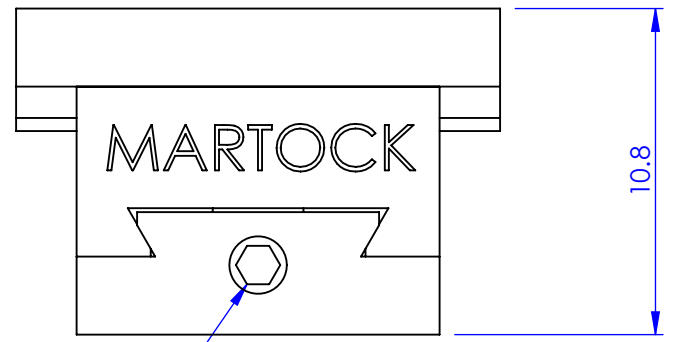


REV. NO.		REVISIONS	DATE	APPROVED
		DESCRIPTION		

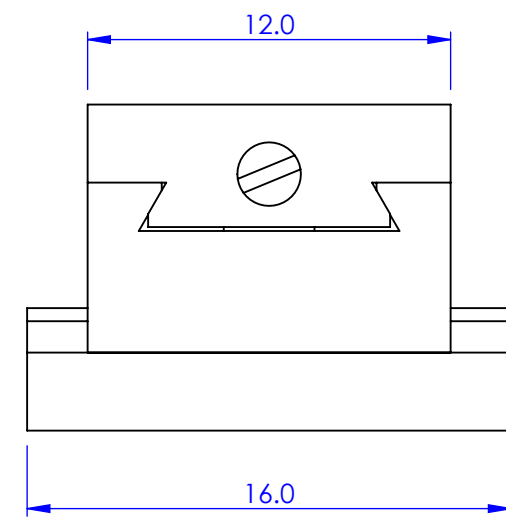


GENERAL VIEW
SCALE: 4:1

BOTH AXES ±3mm OF TRAVEL



1.27 HEX SOCKET



PROPRIETARY AND CONFIDENTIAL
COPYRIGHT ELLIOT SCIENTIFIC Ltd.
THE INFORMATION CONTAINED IN THIS DRAWING IS THE SOLE PROPERTY OF ELLIOT SCIENTIFIC LTD. REPRODUCTION IN PART OR AS A WHOLE WITHOUT WRITTEN PERMISSION IS PROHIBITED.

DIMENSIONS ARE IN mm
GENERAL TOLERANCES: ± 0.1
ANGULAR TOLERANCES: ±
SURFACE FINISH:
ALL BURRS, SHARP EDGES
AND CORNERS TO BE
REMOVED

AUTHOR	NAME	DATE
GW		11/05/2010
CHECKED	--	--
MATERIAL CU ALLOY, STAINLESS STEEL		
FINISH ---		
DO NOT SCALE DRAWING		

Elliot Scientific

TITLE
2 AXIS DOVETAIL SLIDE

SIZE **A4** DWG. NO. **MDE266**

SCALE:4:1 THIRD ANGLE PROJECTION SHEET 1 OF 1