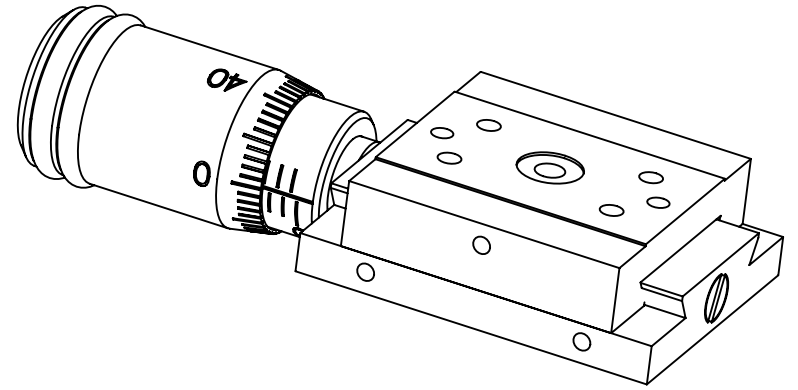
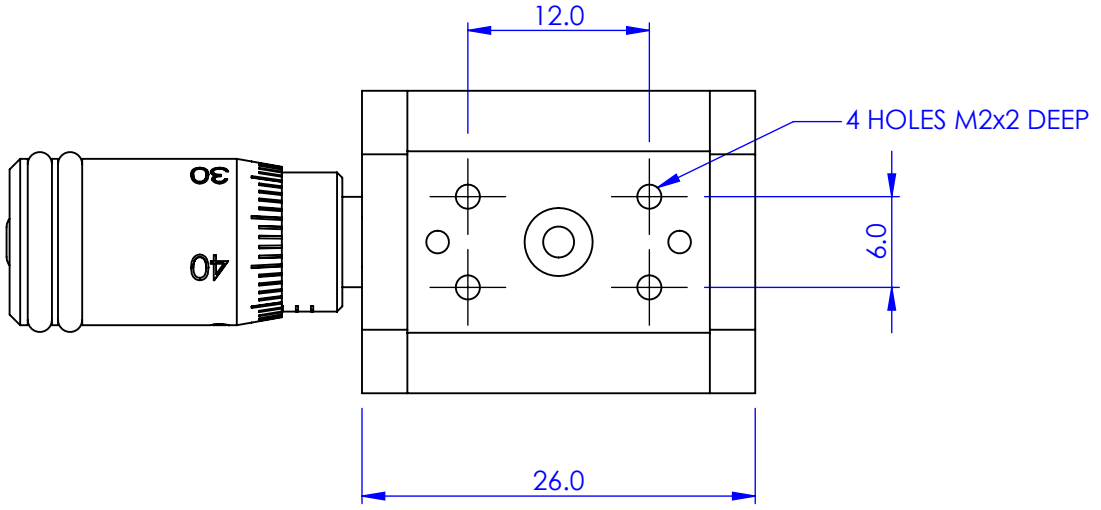
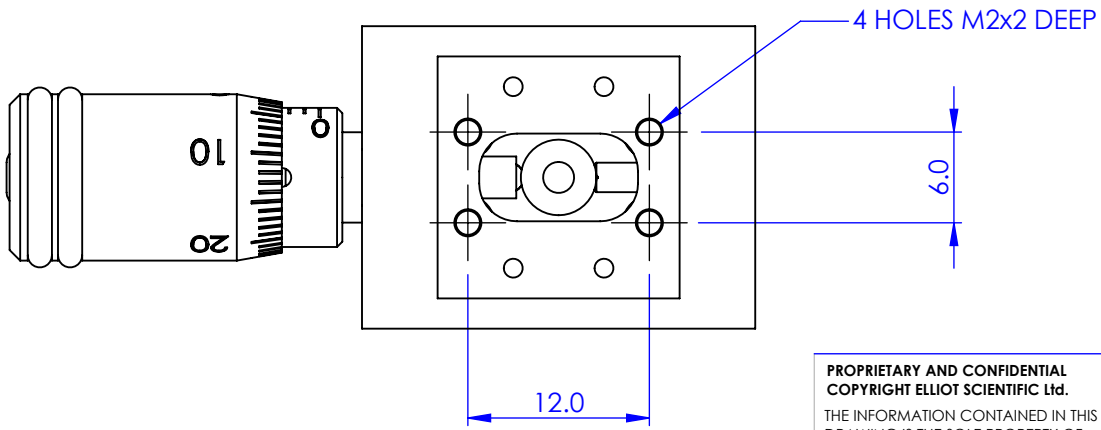
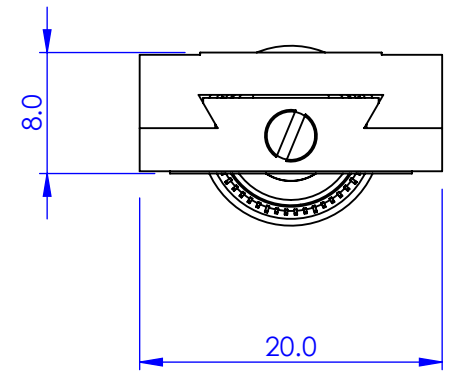
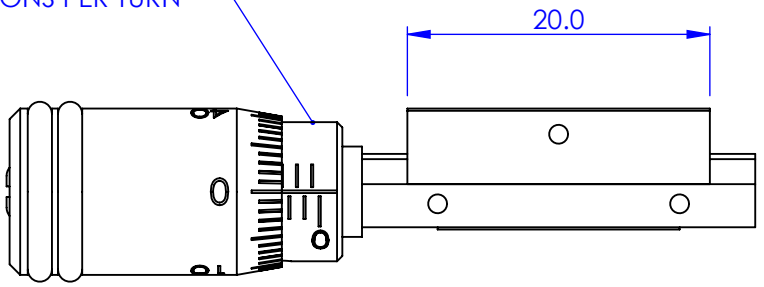


REV.	REVISIONS	DESCRIPTION	DATE	APPROVED



GENERAL VIEW
SCALE: 2:1

0.5mm PITCH MICROMETER
50 DIVISIONS PER TURN



PROPRIETARY AND CONFIDENTIAL
COPYRIGHT ELLIOT SCIENTIFIC Ltd.
THE INFORMATION CONTAINED IN THIS DRAWING IS THE SOLE PROPERTY OF ELLIOT SCIENTIFIC LTD. REPRODUCTION IN PART OR AS A WHOLE WITHOUT WRITTEN PERMISSION IS PROHIBITED.

DIMENSIONS ARE IN mm
GENERAL TOLERANCES: ± 0.1
ANGULAR TOLERANCES: \pm
SURFACE FINISH:
ALL BURRS, SHARP EDGES
AND CORNERS TO BE
REMOVED

NAME	DATE
AUTHOR GW	26/05/2010
CHECKED --	--
MATERIAL STAINLESS STEEL, ALUM. ALLOY	
FINISH --	
DO NOT SCALE DRAWING	

Elliot Scientific

TITLE
DOVETAIL SLIDE

SIZE **A4** DWG. NO. **MDE261M**

SCALE: 2:1 THIRD ANGLE PROJECTION SHEET 1 OF 1