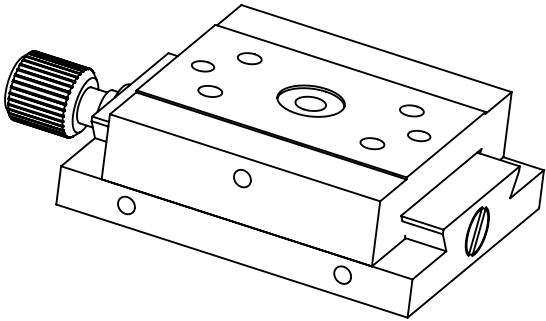
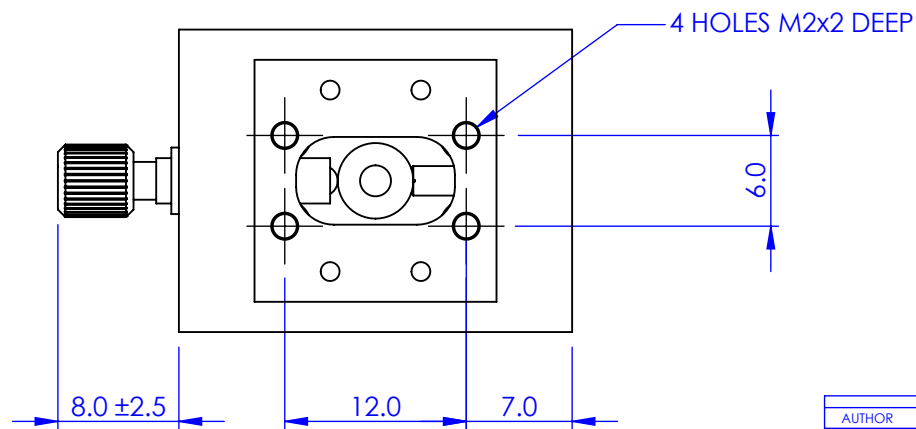
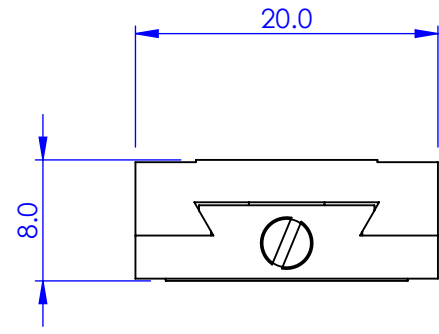
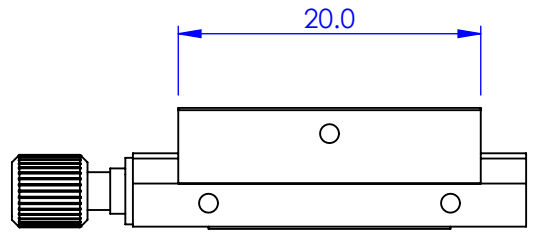
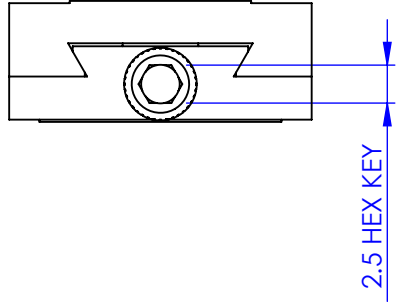
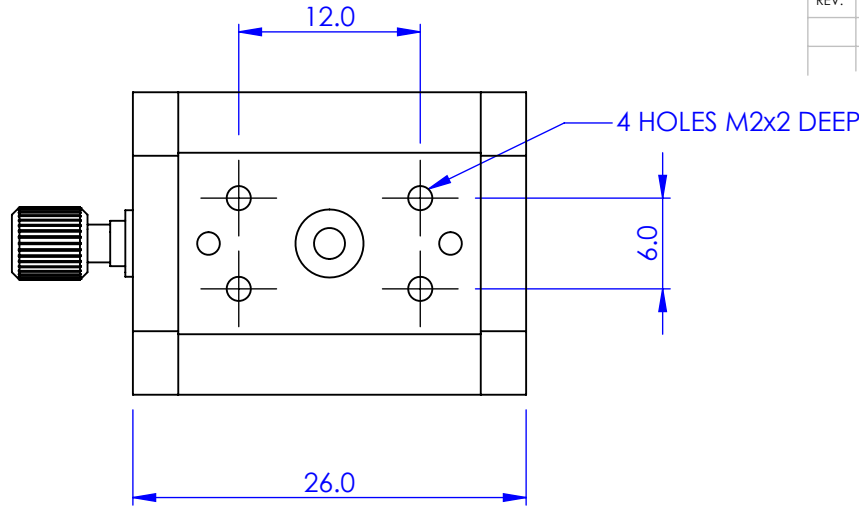


REV.	REVISIONS	DESCRIPTION	DATE	APPROVED



GENERAL VIEW
SCALE: 2:1

TRAVEL $\pm 2.5\text{mm}$



PROPRIETARY AND CONFIDENTIAL
COPYRIGHT ELLIOT SCIENTIFIC Ltd.
 THE INFORMATION CONTAINED IN THIS DRAWING IS THE SOLE PROPERTY OF ELLIOT SCIENTIFIC LTD. REPRODUCTION IN PART OR AS A WHOLE WITHOUT WRITTEN PERMISSION IS PROHIBITED.

DIMENSIONS ARE IN mm
 GENERAL TOLERANCES: ± 0.1
 ANGULAR TOLERANCES: \pm
 SURFACE FINISH:
 ALL BURRS, SHARP EDGES
 AND CORNERS TO BE
 REMOVED

AUTHOR	NAME	DATE
GW	GW	11/05/2010
CHECKED	--	--

MATERIAL
**STAINLESS STEEL,
 ALUM. ALLOY**

FINISH
 --

Elliot Scientific

TITLE
MDE261 LINEAR SLIDE

SIZE **A4** DWG. NO. **MDE261**

DO NOT SCALE DRAWING SCALE:2:1 THIRD ANGLE PROJECTION SHEET 1 OF 1