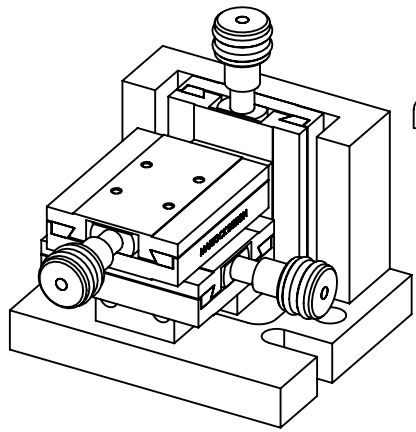
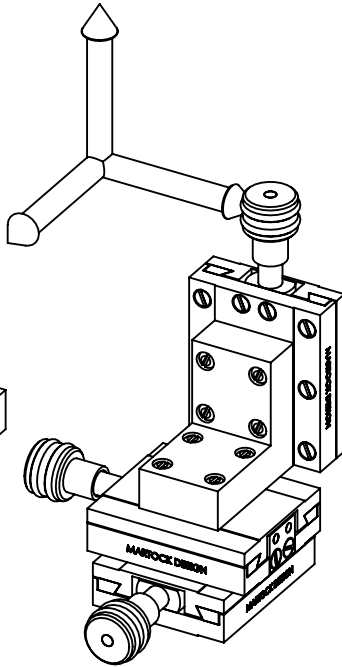


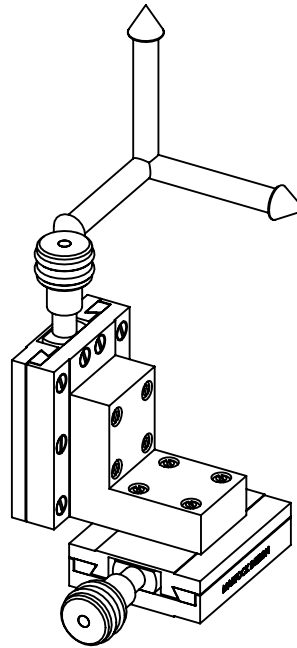
REV.	REVISIONS	DESCRIPTION	DATE	APPROVED



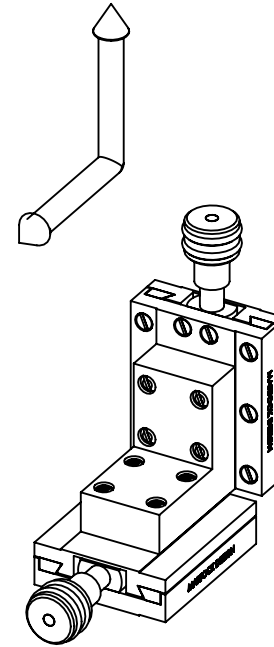
MDE850



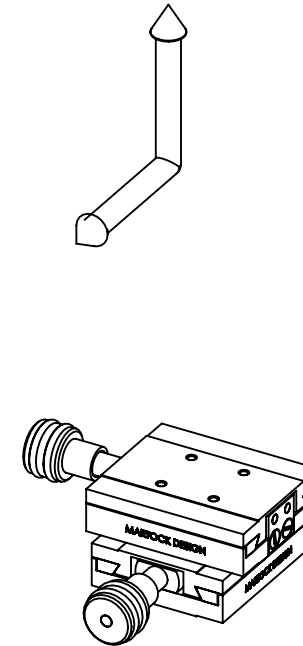
MDE259



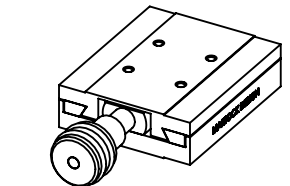
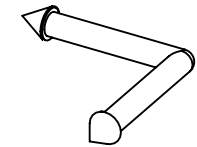
MDE255 YZ



MDE255 XZ



MDE258



MDE255

PROPRIETARY AND CONFIDENTIAL
COPYRIGHT ELLIOT SCIENTIFIC Ltd.
 THE INFORMATION CONTAINED IN THIS
 DRAWING IS THE SOLE PROPERTY OF
 ELLIOT SCIENTIFIC LTD. REPRODUCTION
 IN PART OR AS A WHOLE WITHOUT WRITTEN
 PERMISSION IS PROHIBITED.

DIMENSIONS ARE IN mm
 GENERAL TOLERANCES: ± 0.1
 ANGULAR TOLERANCES: \pm
 SURFACE FINISH:
 ALL BURRS, SHARP EDGES
 AND CORNERS TO BE
 REMOVED

	NAME	DATE
AUTHOR	GW	09/06/2010
CHECKED	--	--
MATERIAL	---	
FINISH	---	
DO NOT SCALE DRAWING		

		TITLE	
		10mm TRAVEL DOVETAIL SLIDES	
SIZE	DWG. NO.	MDE255 SERIES	
A4			
SCALE:2:3	THIRD ANGLE PROJECTION	SHEET 1 OF 1	