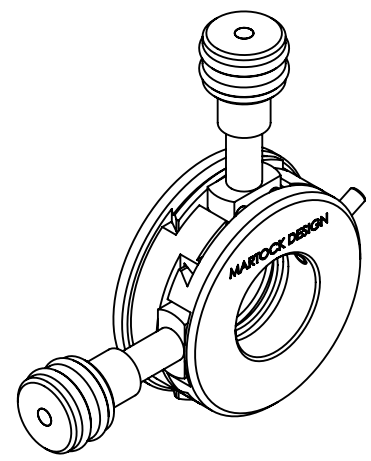
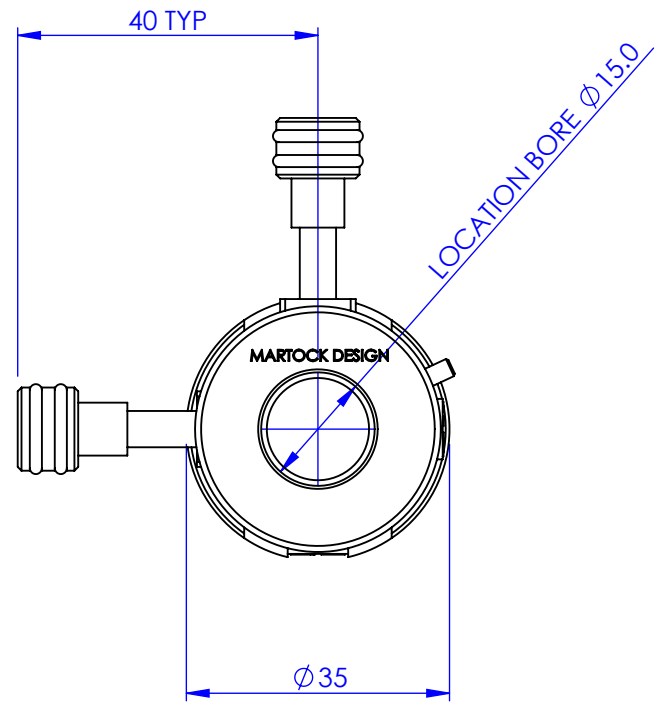


REV.	REVISIONS	DATE	APPROVED
	DESCRIPTION		

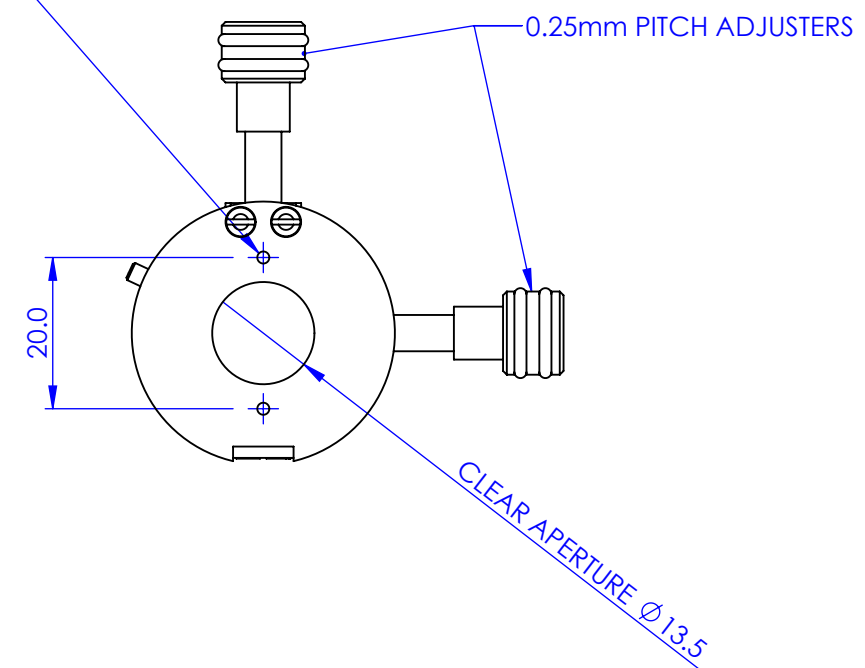
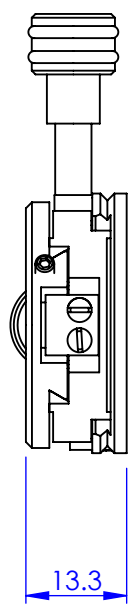
# ±1mm X & Y TRAVEL DOVETAIL SLIDES



GENERAL VIEW  
SCALE: 1:1



2 HOLES TAPPED M2



**PROPRIETARY AND CONFIDENTIAL**  
**COPYRIGHT ELLIOT SCIENTIFIC Ltd.**  
THE INFORMATION CONTAINED IN THIS DRAWING IS THE SOLE PROPERTY OF ELLIOT SCIENTIFIC LTD. REPRODUCTION IN PART OR AS A WHOLE WITHOUT WRITTEN PERMISSION IS PROHIBITED.

DIMENSIONS ARE IN mm  
GENERAL TOLERANCES: ± 0.1  
ANGULAR TOLERANCES: ±  
SURFACE FINISH:  
ALL BURRS, SHARP EDGES  
AND CORNERS TO BE  
REMOVED

AUTHOR	NAME	DATE
GW	GW	25/03/2010
CHECKED	--	--
MATERIAL		
STAINLESS STEEL		
AL. ALLOY/AL. BRONZE		
FINISH		
--		
DO NOT SCALE DRAWING		

**Elliot Scientific**

TITLE  
**PRECISION XY MICROPOSITIONER**

SIZE **A4** DWG. NO. **MDE251-15**

SCALE: 1:1 THIRD ANGLE PROJECTION SHEET 1 OF 1