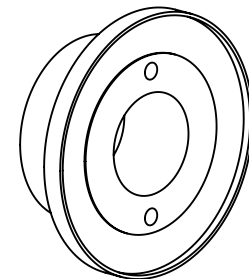
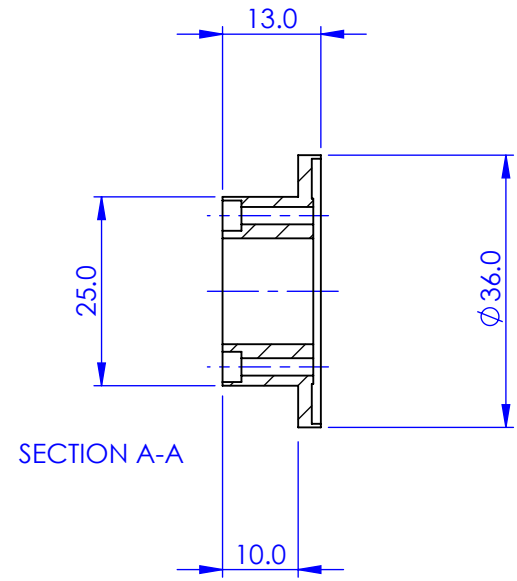
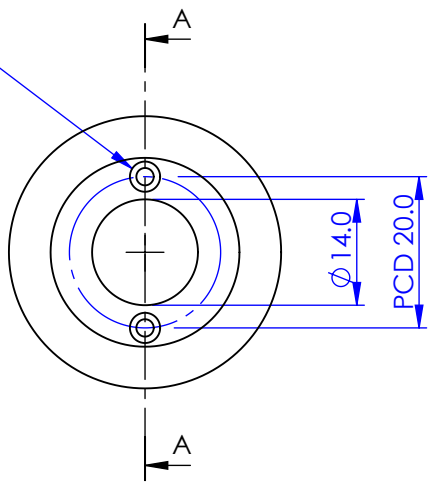


REV.	REVISIONS	DATE	APPROVED
	DESCRIPTION		



GENERAL VIEW
SCALE 1:1

2 HOLES COUNTERBORED
FOR M2



SECTION A-A

PROPRIETARY AND CONFIDENTIAL
COPYRIGHT ELLIOT SCIENTIFIC Ltd.
THE INFORMATION CONTAINED IN THIS
DRAWING IS THE SOLE PROPERTY OF
ELLIOT SCIENTIFIC LTD. REPRODUCTION
IN PART OR AS A WHOLE WITHOUT WRITTEN
PERMISSION IS PROHIBITED.

DIMENSIONS ARE IN mm
GENERAL TOLERANCES: ± 0.1
ANGULAR TOLERANCES: \pm
SURFACE FINISH:
ALL BURRS, SHARP EDGES
AND CORNERS TO BE
REMOVED

NAME	DATE
AUTHOR GW	24/03/2010
CHECKED --	--

MATERIAL
ALUMINIUM ALLOY

FINISH
ANODISED CLEAR

DO NOT SCALE DRAWING

Elliot Scientific

TITLE
SPIGOT ADAPTER

SIZE **A4** DWG. NO. **MDE252**

SCALE:1:1 THIRD ANGLE PROJECTION SHEET 1 OF 1