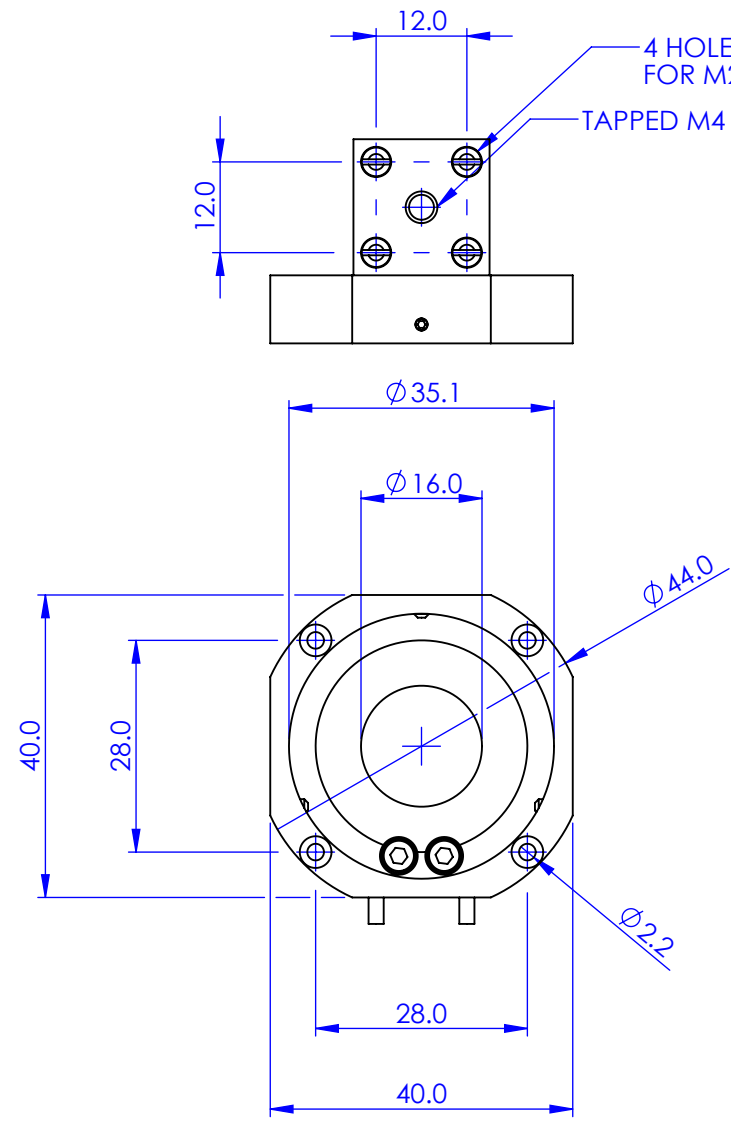
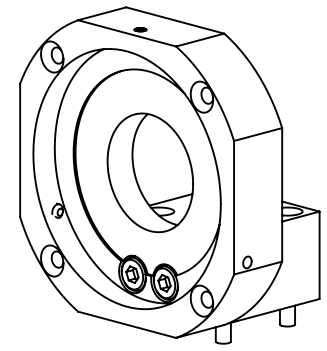


REV.	REVISIONS	DESCRIPTION	DATE	APPROVED



4 HOLES COUNTERBORED FOR M2 CHEESE HEADS  
TAPPED M4



GENERAL VIEW  
SCALE 1:1

**PROPRIETARY AND CONFIDENTIAL**  
**COPYRIGHT ELLIOT SCIENTIFIC Ltd.**  
THE INFORMATION CONTAINED IN THIS DRAWING IS THE SOLE PROPERTY OF ELLIOT SCIENTIFIC LTD. REPRODUCTION IN PART OR AS A WHOLE WITHOUT WRITTEN PERMISSION IS PROHIBITED.

DIMENSIONS ARE IN mm  
GENERAL TOLERANCES:  $\pm 0.1$   
ANGULAR TOLERANCES:  $\pm$   
SURFACE FINISH:  
ALL BURRS, SHARP EDGES  
AND CORNERS TO BE  
REMOVED

NAME	DATE
AUTHOR GW	24/03/2010
CHECKED --	--

MATERIAL  
**ALUMINIUM ALLOY**

FINISH  
**ANODISED CLEAR**

DO NOT SCALE DRAWING

**Elliot Scientific**

TITLE  
**ANGLE ADAPTER PLATE**

SIZE **A4** DWG. NO. **MDE254**

SCALE:1:1 THIRD ANGLE PROJECTION SHEET 1 OF 1